

Trinity Tx

Model Numbers: Tx51-200

Version Date: 2017-03-10

INSTALLATION AND OPERATION MANUAL

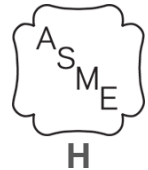
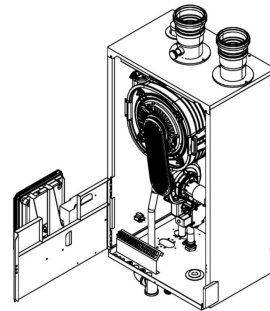


TABLE OF CONTENTS

1.0	INTRODUCTION	3
2.0	SPECIFICATIONS	6
3.0	BOILER LOCATION	7
4.0	GENERAL VENTING.....	10
5.0	VENT/AIR-INLET TERMINATION CLEARANCES.....	24
6.0	CONDENSATE DRAIN	26
7.0	INSTALLING GAS PIPING.....	28
8.0	LIGHTING THE BOILER	30
9.0	GAS VALVE AND BURNER SET-UP	33
10.0	BOILER AND HEATING SYSTEM PIPING.....	36
11.0	DOMESTIC HOT WATER (DHW) PIPING – TX151C & TX200C (COMBI).....	47
12.0	FIELD WIRING	51
13.0	CASCADE INSTRUCTIONS.....	54
14.0	WIRING SCHEMATICS	56
15.0	INSTALLATION CHECKLIST	58
16.0	ANNUAL MAINTENANCE AND INSPECTION	59
17.0	DISPLAY MENU GUIDE	61
18.0	TROUBLESHOOTING	73
19.0	PARTS LIST	76

HAZARD SYMBOLS AND DEFINITIONS



Danger Sign: Indicates a hazardous situation which, if not avoided, will result in serious injury or death.



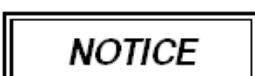
Warning Sign: Indicates a hazardous situation which, if not avoided, could result in serious injury or death.



Caution Sign plus Safety Alert Symbol: Indicates a hazardous situation which, if not avoided, could result in minor or moderate injury.



Caution Sign without Safety Alert Symbol: Indicates a hazardous situation which, if not avoided, could result in property damage.



Notice Sign: Indicates a hazardous situation which, if not avoided, could result in property damage.



This Boiler must be installed by a licensed and trained Heating Technician or the **Warranty is Void**. Failure to properly install this unit may result in property damage, serious injury to occupants, or possibly death.



Visit us online

Read Before Proceeding

If you do not follow these instructions exactly, a fire or explosion may result causing property damage, serious injury or death.

FOR YOUR SAFETY, READ BEFORE OPERATING

- A) This boiler does not have a pilot. It is equipped with an ignition device which automatically lights the burner. Do not try to light the burner by hand.
- B) BEFORE OPERATING smell all around the boiler area for gas. Be sure to smell next to the floor because some gas is heavier than air and will settle on the floor.
WHAT TO DO IF YOU SMELL GAS:
 - Do not try to light any boiler.
 - Do not touch any electric switch.
 - Do not use any phone in your building.
 - Immediately call your gas supplier from a neighbor's phone. Follow the gas supplier's instructions.
 - If you cannot reach your gas supplier, call the fire department.
- C) Use only your hand to turn the gas "shutoff" valve. Never use tools. If the handle will not turn by hand, do not try to repair it, call a qualified service technician. Force or attempted repair may result in a fire or explosion.
- D) Do not use this boiler if any part has been under water. Immediately call a qualified service technician to inspect the boiler and to replace any part of the control system and any gas control which has been under water.

OPERATING INSTRUCTIONS

1. STOP! Read the safety information above very carefully.
2. Set the thermostat to lowest setting. Turn off all electric power to the boiler.
3. This boiler does not have a pilot. It is equipped with an ignition device which automatically lights the burner. Do not try to light the burner by hand.
4. Turn the manual gas valve to the OFF position. Remove front access panel.
5. Wait five (5) minutes to clear out any gas. Then smell for gas, including near the floor. If you smell gas, STOP! Follow "B" in the safety information above. If you do not smell gas, go to the next step.
6. Turn the manual gas valve ON. Wait an additional five (5) minutes smelling for gas.
7. Replace the front access panel.
8. Set thermostat to highest setting. Turn on all electric power to the boiler.
9. Ignition sequence is automatic. Combustion will occur after a brief fan purge.
10. If ignition does not occur, follow the instructions "To Turn Off Gas To Boiler" and call your service technician or gas supplier.

TO TURN OFF GAS TO THE BOILER

1. STOP! Read the safety information above very carefully.
2. Turn off all electric power to the boiler.
3. Turn the manual gas valve to the OFF position.



Crystalline Silica - Certain components confined in the combustion chamber may contain this potential carcinogen. Improper installation, adjustment, alteration, service or maintenance can cause property damage, serious injury (exposure to hazardous materials) or death. Refer to Section 15.0 for information on handling instructions and recommended personal protective equipment. Installation and service must be performed by a qualified installer, service agency or the gas supplier (who must read and follow the supplied instructions before installing, servicing, or removing this boiler. This boiler contains materials that have been identified as carcinogenic, or possibly carcinogenic, to humans).



Void Warranty - This Boiler must have water flowing through it whenever the burner is on or it will damage the unit and void the warranty. Failure to follow these instructions may result in serious injury or death.

1.0 INTRODUCTION

General Installation Requirements

The installation of your NTI Trinity Tx gas boiler must conform to the requirements of this manual, your local authority, and the National Fuel Gas Code ANSI Z223.1 and or CAN/CGA B149 Installation Codes. Where required by the Authority, the installation must conform to the standard for “Controls and Safety Devices for Automatically Fired Boilers ANSI/ASME CSD-1”.

This document pertains to the correct installation and operation of NTI Trinity boiler models Tx51, Tx81, Tx101, Tx151, Tx200, Tx151C and Tx200C. The instructions detailed in this document supersede any and all previous instructions provided by NTI, written or otherwise. Each unit is provided with the following:

1. Installation and Operation Manual,
2. User Information Manual, and
3. Natural Gas to LP Conversion Kit*

* The conversion kit is required to convert the boiler so it will safely operate with Propane Gas.



Read and understand this entire document prior to proceeding with the installation of the Trinity Tx boiler. Failure to follow the instructions outlined in this document will result in property damage, serious injury or death.



Energy Saving Feature - This boiler is equipped with a feature that saves energy by reducing the boiler water temperature as the heating load decreases. This feature is equipped with an override which is provided primarily to permit the use of an external energy management system that serves the same function. **THIS OVERRIDE MUST NOT BE USED UNLESS AT LEAST ONE OF THE FOLLOWING CONDITIONS IS TRUE:**

- An external energy management system is installed that reduces the boiler water temperature as the heating load decreases.
- This boiler is not used for any space heating.
- This boiler is part of a modular or multiple boiler system having a total input of 300,000 BTU/hr or greater.
- This boiler is equipped with a tankless coil.

User Responsibilities

This boiler must be installed and serviced by a qualified installer or service technician. This boiler must be serviced and inspected annually when operating in normal residential applications. Demanding applications or extreme conditions (i.e. when operating with LP-Propane) may require more frequent service and inspection. As the User/Owner of this equipment, you are responsible for ensuring the maintenance is performed at the required intervals (see Section 14 – Annual Maintenance and Inspection).



Failure to have the boiler properly serviced and inspected on a regular basis by a qualified service technician may result in property damage, serious injury or death.



Failure to keep the Vent and Combustion Air Intake clear of ice, snow, and other debris may result in property damage, serious injury, or death.

Installer Responsibilities

As the installing technician it is your responsibility to ensure the installation is performed in accordance with this instruction manual as well as any applicable local or National installation codes. It is also your responsibility to inform the User/Owner of their obligation with respect to the above description under “User Responsibilities”. Failure to follow this warning could result in fire, serious injury, or death.



Failure to use the appropriate Natural to LP Conversion Kit and Orifice when operating the Trinity Tx to operate with Propane will result in extremely dangerous burner operation leading to property damage, serious injury or death. Refer to section titled **ATTENTION: LIQUEFIED PETROLEUM (LP) PROPANE** for applicable conversion kit and LP orifice numbers.

ATTENTION: LIQUEFIED PETROLEUM (LP) PROPANE

The Trinity Tx is factory set to operate with Natural Gas. BEFORE OPERATING WITH PROPANE, the specified LP Conversion Kit and Orifice must be installed to convert the boiler so it will operate safely with LP Propane. The correct kit and LP orifice is listed below (Each kit comes with conversion instructions).

Liquefied Petroleum (LP) propane gas is heavier than air; therefore, it is imperative that your Trinity Tx boiler is not installed in a pit or similar location that will permit heavier than air gas to collect. Local Codes may require boilers fueled with LP gas be provided with an approved means of removing unburned gases from the room. Check your local codes for this requirement.

Natural to LP Propane Conversion Kit		
<u>Model Number</u>	<u>Kit Number</u>	<u>LP Orifice</u>
Tx51	84867-1	3.5mm
Tx81	84867-2	3.8mm
Tx101	84867-3	4.2mm
Tx151(C)	84867-4	5.05mm
Tx200(C)	82650-1	6.2mm

Exhaust Vent / Air-Inlet Piping



The Trinity Tx is certified as a “Category IV” boiler, and requires a “Special Venting System” designed for pressurized venting. The exhaust gases must be piped directly to the outdoors using the vent materials and rules outlined in these instructions. Failure to follow these instructions will result in serious injury or death.

IN THE STATE OF MASSACHUSETTS ONLY

- (a) For all horizontally vented gas fueled equipment installed in every dwelling, building or structure used in whole or in part for residential purposes, including those owned and operated by the Commonwealth and where the side wall exhaust vent termination is less than seven (7) feet above finished grade in the area of the venting, including but not limited to decks and porches, the following requirements shall be satisfied:
1. **INSTALLATION OF CARBON MONOXIDE DETECTORS** At the time of installation of the side wall horizontal vented gas fueled equipment, the installing plumber or gas fitter shall observe that a hard wired carbon monoxide detector with an alarm and battery back-up is installed on the floor level where the gas equipment is to be installed and on each additional level of the dwelling, building or structure served by the equipment. It shall be the responsibility of the property owner to secure the services of qualified licensed professionals for the installation of hard wired carbon monoxide detectors.
 - a. In the event that the side wall horizontally vented gas fueled equipment is installed in a crawl space or an attic, the hard wired carbon monoxide detector with alarm and battery back-up may be installed on the next adjacent floor level.
 - b. In the event that the requirements of this subdivision cannot be met at the time of completion of installation, the owner shall have a period of 30 days to comply with the above requirements; provided, however, that during said 30 day period a battery operated carbon monoxide detector with an alarm shall be installed.
 2. **APPROVED CARBON MONOXIDE DETECTORS** Each carbon monoxide detector as required in accordance with the above provisions shall comply with NFPA 720 and be ANSI/UL 2034 listed and IAS certified.
 3. **SIGNAGE** A metal or plastic identification plate shall be permanently mounted to the exterior of the building at a minimum height of eight (8) feet above grade directly in line with the exhaust vent terminal for the horizontally vented gas fueled heating boiler or equipment. The sign shall read, in print size no less than one-half (1/2) inch in size, "***GAS VENT DIRECTLY BELOW. KEEP CLEAR OF ALL OBSTRUCTIONS***" (*plate included with boiler*).
- INSPECTION** The state or local gas inspector of the side wall horizontally vented gas fueled equipment shall not approve the installation unless, upon inspection, the inspector observes carbon monoxide detectors and signage installed in accordance with the provisions of 248 CMR 5.08(2)(a)1 through 4.
- (b) **EXEMPTIONS:** The following equipment is exempt from 248 CMR 5.08(2)(a)1 through 4:
1. The equipment listed in Chapter 10 entitled "Equipment Not Required To Be Vented" in the most current edition of NFPA 54 as adopted by the Board; and
 2. Product Approved side wall horizontally vented gas fueled equipment installed in a room or structure separate from the dwelling, building or structure used in whole or in part for residential purposes.
- (c) **MANUFACTURER REQUIREMENTS – GAS EQUIPMENT VENTING SYSTEM PROVIDED:** When the manufacturer of Product Approved side wall horizontally vented gas equipment provides a venting system design or venting system components with the equipment, the instructions provided by the manufacturer for installation of the equipment and the venting system shall include:
1. Detailed instructions for installation of the venting system design or the venting system components; and
 2. A complete parts list for the venting system design or venting system.
- (d) **MANUFACTURER REQUIREMENTS – GAS EQUIPMENT VENTING SYSTEM NOT PROVIDED:** When the manufacturer of a Product Approved side wall horizontally vented gas fueled equipment does not provide the parts for venting the flue gases, but identifies "special venting systems", the following requirements shall be satisfied by the manufacturer:
1. The referenced "special venting system" instructions shall be included with the appliance or equipment installation instructions; and
 2. The "special venting system" shall be Product Approved by the Board, and the instructions for that system shall include a parts list and detailed installation instructions.
- (e) A copy of all installation instructions for all Product Approved side wall horizontally vented gas fueled equipment, all venting instructions, all parts list for venting instructions, and/or all venting design instructions shall remain with the appliance or equipment at the completion of the installation.

2.0 SPECIFICATIONS

Table 2-1 Trinity Tx Specifications

DESCRIPTION	Tx51	Tx81	Tx101	Tx151	Tx151C	Tx200	Tx200C
Space Heating Input Modulation ¹ [MBH]	7.1-57	10.3-82	12.6-101	18.9-151	18.9-80	24.9-199	24.9-120
DHW Input Modulation ¹ [MBH]	7.1-57	10.3-82	12.6-101	18.9-151	18.9-151	24.9-199	24.9-199
DOE Heating Capacity ^{1,2} [MBH]	52	75	92	139	74	184	111
Net I=B=R Rating ^{1,2} [MBH]	45	65	80	120	64	160	96
DOE AFUE ² [%]	94				95	94	95
Water Connections – NPT [in.]	1				3/4 ⁴	1	3/4 ⁴
Gas Connection - NPT, in.	1/2						
Vent/Air-inlet Pipe Diameter [in.] ³	2 or 3					3	
Dimensions H x W x D [in.]	31-1/4 x 18 x 16					31-1/4 x 18 x 17-3/8	
Approx. Boiler Weight with Water [lbs.]	77	79	86	87	98	109	120
Approx. Boiler Water Content [Gallons]	0.5	0.6	0.7	0.8	1	1.2	1.4
Electrical Rating	120V/1Ph/60Hz/less than 12A						

Notes:

¹ Listed Input and Output ratings are at minimum vent lengths at an altitude of 0-2000 ft. Numbers will be lower with longer venting and/or altitudes greater than 2000 ft.

² Ratings based on standard test procedures prescribed by the U.S. Department of Energy.

³ Trinity Tx requires a special venting system, use only vent materials and methods detailed in these instructions.

⁴ Tx151C & Tx200C are factory supplied with a primary loop manifold that adapts from 3/4” NPT to 1” sweat joints. See

Figure 10-2(c) on page 39.



Wall mounting of unit requires two people to lift the boiler into place. Failure to follow these instructions may result in property damage or personal injury.

High Altitude Operation

The Trinity Tx is designed to operate at its maximum listed capacity in installations located at 0-2000ft above Sea Level. Since the density of air decreases as elevation increases, maximum specified capacity should be de-rated for elevations above 2000 ft [610 m] in accordance with Table 2-2.

Table 2-2 De-rate % for High Altitudes

Elevations	2001 ft [610 m]	3000 ft [914 m]	4000 ft [1219 m]	4500 ft [1372 m]	5000 ft [1524 m]
In Canada ¹	de-rate by 10%	de-rate by 10%	de-rate by 10%	de-rate by 10%	de-rate % may vary
In USA ²	-	de-rate by 12%	de-rate by 16%	de-rate by 18%	de-rate by 20%

Notes:

¹ Canada: Altitudes between 2000-4500 ft [610-1372 m], de-rate by 10%. Consult local authorities for de-rating for altitudes above 4500 ft [1372 m].

² USA: De-rate capacity by 4% for every 1000 ft [305 m], if altitude is above 2000 ft [610 m].



Combustion – At elevations above 2000 feet, the combustion of the boiler must be checked with a calibrated combustion analyzer to ensure safe and reliable operation. **It is the Installers responsibility to check the combustion and to adjust the combustion in accordance with Section 9.0.** Failure to follow these instructions may result in property damage, serious injury, or death.

3.0 BOILER LOCATION

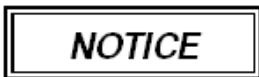
In all cases, the Trinity Tx must be installed indoors in a dry location where the ambient temperature must be maintained above freezing and below 100°F [38°C]. All boiler components must be protected from dripping, spraying water, or rain during operation and servicing. Consider the proximity of system piping, gas and electrical supply, condensate disposal drain, and proximity to vent termination when determining the best boiler location.



Water or flood damaged components must be replaced immediately with new factory-approved components as failure to do so may result in fire, serious injury, or death.

Boiler Area Ventilation Air Openings

If boiler area clearances are less than the recommended clearances specified in Table 3-1, the boiler area must be ventilated (**Exception**: if the boiler area/room has a volume of 150 ft³ or greater, ventilation of the boiler room is not required). Each ventilation air opening must meet the minimum requirements of 1 in² per 1000 Btu/hr, but not less than 100 in². The lower ventilation opening must be located within 6" of the floor while the upper opening must be located 6" from the top of the space.



If the "Boiler Area" does not meet the recommended clearances listed in Table 3-1, and if the boiler area has a volume less than 150 ft³, it is considered a Closet or Alcove. In US/Canada, PVC vent pipe and fittings shall not be used within the closet or alcove; only approved CPVC, Polypropylene or Stainless Steel vent pipe and fittings can be used. See Table 4-5 for a list of approved materials. Under all circumstances, the minimum clearances listed in Table 3-1 must be provided.

Closet Installations

For closet installations it is necessary to provide two ventilation air openings as shown in Figure 3-1, each providing a minimum area equal to 1 in² per 1000 Btu/hr, but not less than 100 in² and within 6" of the top and bottom of the closet door. See Table 3-1 for minimum clearances.

Alcove Installations

Alcove installations have the same minimum clearances as closet installations, except the front must be completely open to the room at a distance no greater than 18" [457 mm] from the front of the boiler and the room is at least three (3) times the size of the alcove. Provided these conditions are met, the boiler requires no extra ventilation air openings to the space. See Table 3-1 for minimum clearances.

Residential Garage Installations

When installed in a residential garage, mount the boiler a minimum of 18" [457 mm] above the floor. Locate or protect the boiler so it cannot be damaged by a moving vehicle. Check with your local authorities for other possible regulations pertaining to the installation of a boiler in a garage.

Wall Mounting Installations

The Tx is provided with integrated wall mounting brackets. Refer to Figure 3-2 for instructions and illustrations on wall mounting.

Table 3-1 Minimum Clearances for Installation and Service

Model No.	Clearances	Dimensions - inches [mm]					
		Front	Top	Sides	Back	Bottom	Flue Pipe
Trinity Tx	Minimum	24 [610] ¹	12 [305]	4 [102]	0	9 [229]	1 [25]
	Recommended	36 [914]	24 [610]	12 [305]	0	24 [610]	1 [25]

Notes:
¹ 6" if surface is removable allowing a minimum of 24" [610 mm] clearance (i.e. closet installation). See Ventilation Air Opening dimensions in Figure 3-1.



Closet/alcove installations in US and Canada require approved CPVC, Polypropylene or Stainless Steel vent and air-inlet pipe and fittings (see Table 4-5); PVC is not permitted. Failure to follow these instructions may result in damage or serious injury.

Figure 3-1 Closet Installation, Minimum Clearances
(Non-Combi Model Shown)

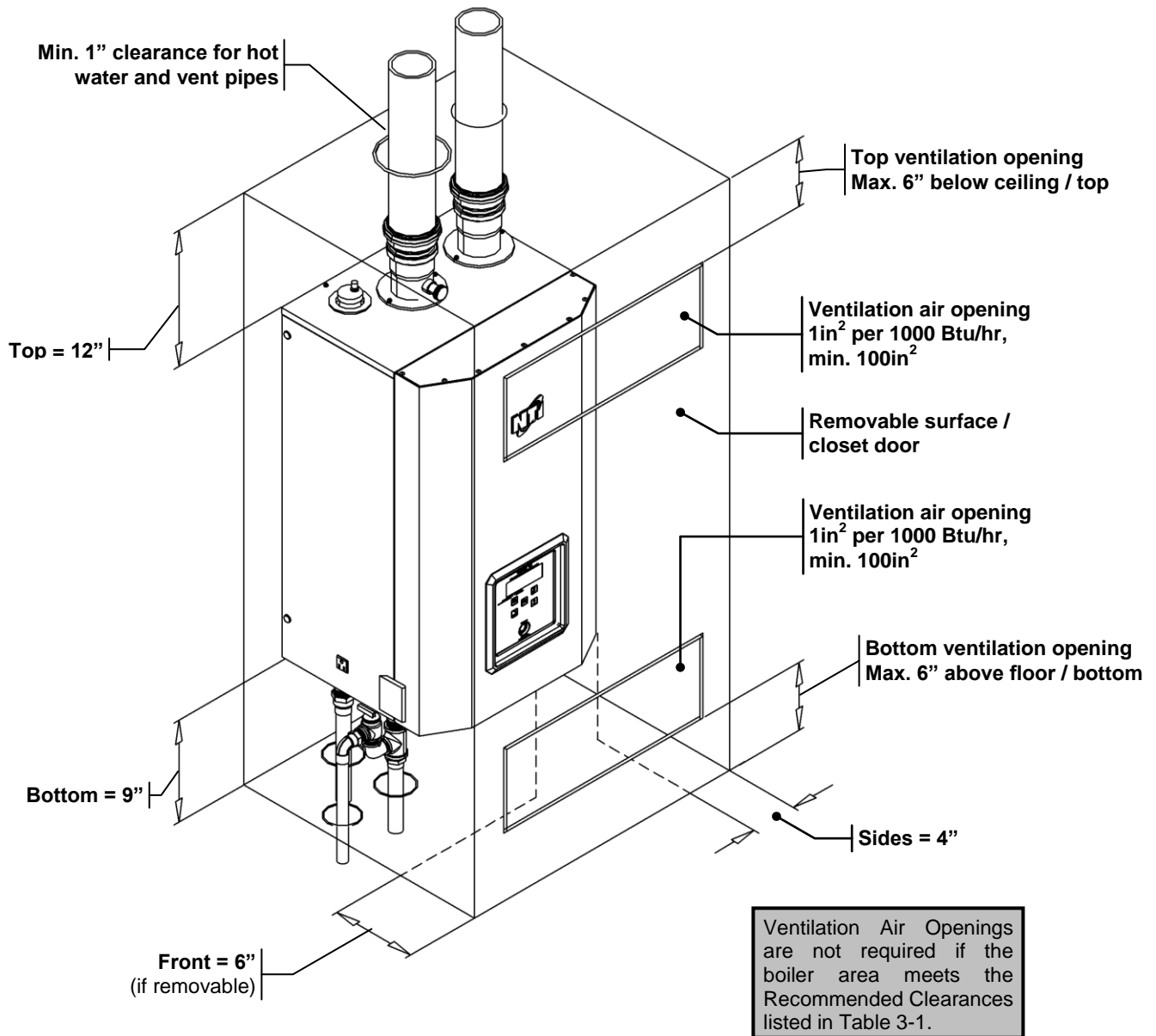


Figure 3-2 Wall Mounting Instructions

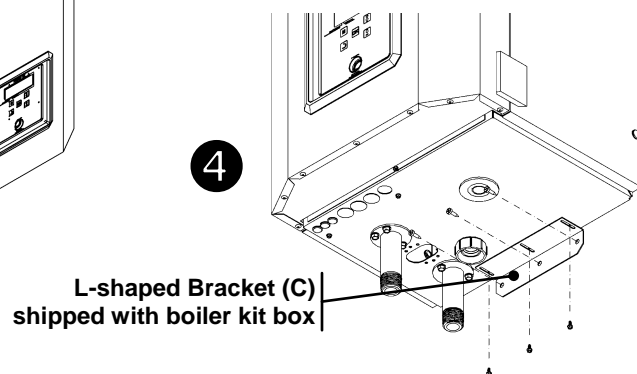
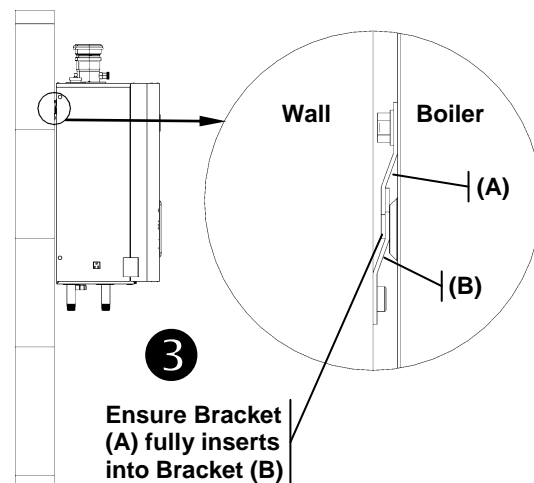
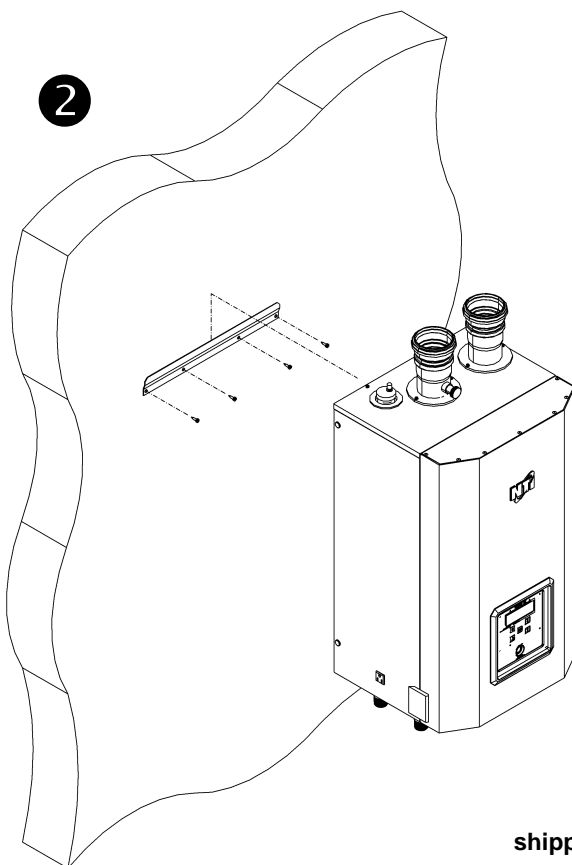
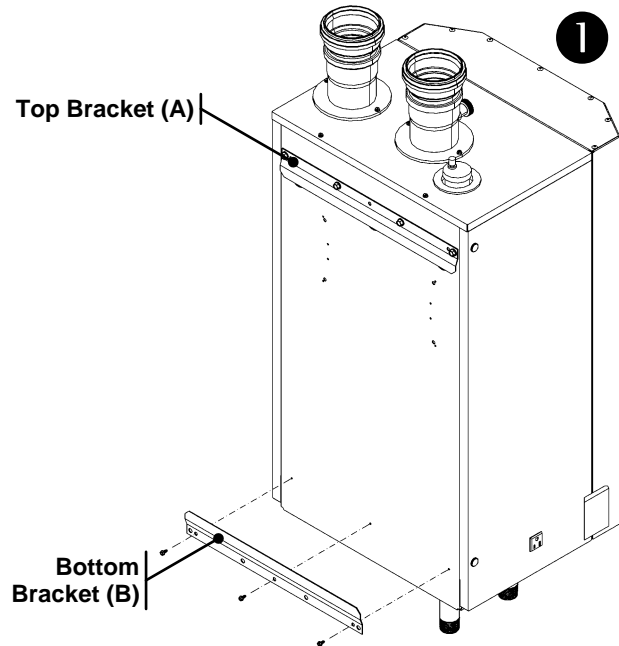
- 1 Leave the **Top Wall-mount Bracket (A)** intact and remove the **Bottom Wall-mount Bracket (B)** that is attached to the bottom-back of the appliance. Save mounting hardware for Step 4.
- 2 Secure **Bottom Bracket (B)**, removed from the bottom back of the boiler in Step 1, to a solid wall using field supplied lag screws (anchors when mounting to a concrete wall) that are adequate to support the weight of the appliance (refer to Table 2-1 Specifications). Ensure the bracket is level and flush to the wall. Mounting holes to be on the bottom with flange pointed upward and angled away from the wall.
- 3 Mount the appliance to the wall by aligning the two wall mount brackets, **Top Bracket (A)** with the **Bottom bracket (B)**. Slide the top bracket fastened to the boiler down over the wall-mounted bracket until it hooks.
- 4 Once the appliance is resting securely on the wall, attach the **L-shaped Bracket (C)** to the underside of the appliance using the mounting hardware removed in Step 1. Next anchor the **L-shaped Bracket (C)** to the wall as shown using field supplied hardware.



Failure to follow instructions may result in fire, serious injury, or death.



This unit requires two people to lift it or damage and injury may result.



4.0 GENERAL VENTING

The Trinity Tx is certified as a “Category IV” boiler requiring a “Special Venting System” designed for pressurized venting. The Exhaust Vent must be piped to the outdoors, using the vent materials and rules outlined in this section. Under no conditions may this unit vent gases into a masonry chimney, unless it is vacant, and utilizes the approved venting material and rules described in this section.



Vent and Air-inlet are to be piped separately. The Trinity Tx cannot share a common vent or air-inlet with multiple boilers. Failure to comply will result in serious injury or death.

Removing an Existing Boiler from Common Venting System



Do not install the Trinity Tx into a common venting system with any other boiler. Failure to comply with this warning will cause flue gas spillage and leech carbon monoxide emissions into the surrounding air resulting in serious injury or death.



When an existing boiler is removed from a common venting system, the common venting system is likely to be too large for proper venting of the remaining boilers connected to it. Instructions have been provided on how to remove the existing boiler and how to resize the remaining venting system. Failure to follow these instructions may result in property damage, serious injury or death.

Upon removal of an existing boiler, the following steps shall be followed for each boiler remaining in the common venting system; prior to commencing this procedure, shutdown all boilers remaining in the common venting system.

Steps to Removing an Existing Boiler:

1. Seal any unused openings in the common venting system.
2. Visually inspect the venting system for proper size and horizontal pitch. Verify that there is no blockage, restriction, leakage, corrosion or other deficiencies which could cause an unsafe condition.
3. Insofar as is practical, close fireplace dampers, all building doors and windows and all doors between the space in which the boilers remaining connected to the common venting system are located and other spaces of the building. Turn on clothes dryers and any boiler not connected to the common venting system. Turn on any exhaust fans, such as range hoods and bathroom exhausts, so they will operate at maximum speed. Do not operate a summer exhaust fan.
4. Place in operation the boiler being inspected. Follow the applicable lighting instructions. Adjust thermostat so boiler will operate continuously.
5. Test for spillage at the draft hood relief opening after 5 minutes of main burner operation. Use the flame of a match or candle, or smoke from a cigarette, cigar or pipe.
6. After it has been determined that each boiler remaining connected to the common venting system properly vents when tested as outlined above, return doors, windows, exhaust fans, fireplace dampers and any other gas burning boiler to their previous condition of use.
7. Any improper operation of the common venting system should be corrected so the installation conforms to the National Fuel Gas Code, ANSI Z223.1/NFPA 54 and/or CAN/CSA B149.1, Natural Gas and Propane Installation Code. When resizing any portion of the common venting system, the common venting system should be resized to approach the minimum size as determined using the appropriate tables in Part 11 of the National Fuel Gas Code, ANSI Z223.1/NFPA 54 and/or CAN/CSA B149.1, Natural Gas and Propane Installation Code.

Direct Vent Installation (Best Practice)

When installed as a Direct Vent boiler the combustion air-inlet must also be piped directly to the outdoors using the methods described in this section and in accordance with the National Fuel Gas Code, ANSI Z223.1 (U.S.) or CSA B149.1 (Canada) and local requirements.

Installation Using Indoor Combustion Air

When the installation uses Indoor Combustion Air (i.e. piping is not directly connecting the appliance air-inlet fitting to the outdoors), provisions for combustion and ventilation air, in accordance with section “Air for Combustion and Ventilation,” of the *National Fuel Gas Code, ANSI Z223.1/NFPA 54* (U.S.), or Clause 8.2, 8.3 or 8.4 of *Natural Gas and Propane Installation Code, CAN/CSA B149.1* (Canada), or applicable provisions of the local building codes, must be adhered to.

NOTICE

The boiler shall be located so as not to interfere with proper circulation of combustion, ventilation, and dilution air.

WARNING

Make up air requirements for the operation of exhaust fans, kitchen ventilation systems, clothes dryers, and fireplaces shall be considered in determining the adequacy of a space to provide combustion air requirements. Failure to ensure adequate make up air to all appliances may result in personal injury or death.

Combustion Air-inlet Contamination

Be careful not to locate the air-inlet termination in an area where contaminants can be drawn in and used for combustion. Combustion air containing dust, debris or air-borne contaminants will drastically increase the required maintenance and may cause a corrosive reaction in the Heat Exchanger which could result in premature failure, fire, serious injury, or death. See Table 4-1 for a list of areas to avoid when terminating air-inlet piping:

Table 4-1 Corrosive Products and Contaminant Sources

Products to Avoid	Contaminated Sources to Avoid
Antistatic fabric softeners, bleaches, detergents, cleaners	Laundry facilities
Perchloroethylene (PCE), hydrocarbon based cleaners	Dry cleaning facilities
Chemical fertilizer, herbicides/pesticides, dust, methane gas	Farms or areas with livestock and manure
Paint or varnish removers, cements or glues, sawdust	Wood working or furniture refinishing shops
Water chlorination chemicals (chloride, fluoride)	Swimming pools, hot tubs
Solvents, cutting oils, fiberglass, cleaning solvents	Auto body or metal working shops
Refrigerant charge with CFC or HCFC	Refrigerant repair shops
Permanent wave solutions	Beauty shops
Fixer, hydrochloric acid (muriatic acid), bromide, iodine	Photo labs, chemical / plastics processing plants
Cement powder, crack fill dust, cellulose, fiber based insulation	Concrete plant or construction site

WARNING

Do not store or use gasoline or other flammable vapors and liquids in the vicinity of this or any other boiler. Failure to follow instructions may result in serious injury or death.

NOTICE

It is **BEST PRACTICE** to pipe the combustion air-inlet directly to the outdoors (Direct Vent installation) to avoid contamination often contained in indoor air.

Flammable Solvents and Plastic Piping

Due to the extremely flammable characteristics of most glues, cements, solvents and primers used in the process of joining plastic vent and air-inlet pipe, explosive solvent vapors must be evacuated from the vent and air-inlet prior to start-up. Avoid using excess cement or primer that may lead to pooling inside the pipe assembly. Freshly assembled piping assembly should be allowed to cure for a minimum of 8 hours before applying power to the gas fired boiler. Refer to **Mandatory Pre-commissioning Procedure for Plastic Venting** in this section.

DANGER

Flammable Cements and Primers – It is the installers’ responsibility to familiarize themselves with the hazards associated with explosive solvents and to take all precautions to reduce these risks. Failure to follow these instructions can cause explosions, property damage, injury or death.

Mandatory Pre-commissioning Procedure for Plastic Venting (PVC or CPVC)



WARNING

Do not apply power to the boiler prior to Step 4 in the Mandatory Pre-commissioning Procedure for Plastic Venting.

- 1) Working with the power turned off to the boiler, completely install the vent and air intake system, securely cementing joints together. If possible, allow primers/cements to cure for 8 hours before firing the burner. If curing time is less than 8 hours, proceed with Steps 2 through 6.
- 2) Maintain the boiler gas supply shut-off valve in the off position.
- 3) Remove the cable from the Spark Ignition Electrode and Ignition Controller.



WARNING

Spark Ignition Circuit - Maintain a safe distance (2 inches minimum) from the spark ignition circuit to avoid injury from electrical shock.

- 4) Turn power on to the boiler and apply a heat demand.
- 5) Allow for 3 complete trials for ignition, consisting of pre and post purge of the combustion blower, until an ignition lockout occurs. Repeat the process two more times (i.e. 9 complete ignition sequences in total).
- 6) Turn power off and reconnect the cable to the Spark Ignition Transformer.

Near Boiler Vent/Air-inlet Piping

The Trinity Tx employs universal Exhaust-vent and Air-inlet appliance adapters that accept 3 in. PVC/CPVC, Polypropylene (PP) or Stainless Steel (SS) piping, without the need for additional adapters. The universal adapters incorporate three seals, one for 3 in. PVC/CPVC pipe (3.5 in. OD), one for 3 in. PP pipe (3.15 in. OD) and one for 3 in. SS pipe (3 in. OD). See Figure 4-2(a) for gasket identification and pipe insertion depth based on pipe material used. Prior to inserting the piping into the universal adapter, ensure it is properly bevel (approximately 1/8 in.) to avoid damaging or dislodging the sealing gasket during installation; see Figure 4-2(b).



WARNING

Gasket Seating - Improper seating can cause leakage and eventual failure of the sealing gasket. Ensure the vent pipe is properly beveled, prior to installation, and that the pipe is fully inserted into universal appliance adapter. Failure to follow these instructions may result in serious injury or death.

PVC/CPVC Piping – Ensure the **upper** gasket of the universal appliance adapter is in place and properly positioned prior to installation. Ensure the venting system does not apply a load or strain on the boiler flue outlet adapter; recommend using two elbows to create a “swing joint” to reduce potential strain on vent piping and cemented joints. When exhaust venting with PVC, use the supplied 5” long CPVC Transition Pipe provided with the boiler; insert the CPVC pipe into the exhaust adapter and **cement** the other end to the PVC exhaust venting using a field supplied PVC or CPVC coupling. See Figures 4-3(a) and 4-3(b).



WARNING

PVC Exhaust Venting – **DO NOT** insert PVC pipe directly into the appliance exhaust adapter, as it can deform from the clamping force of the gear clamp. Failure to follow these instructions may result in gasket failure and/or the dislodging of the exhaust pipe from the appliance adapter, resulting in property damage, serious injury or death.

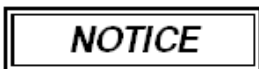
PP Piping – Ensure the **middle** gasket of the universal appliance adapter is in place and properly positioned prior to installation. Ensure the venting system does not apply a load or strain on the boiler flue outlet adapter; recommend using an elbow with an offset to reduce potential strain on vent piping and joints. See Figure 4-3(c).

Stainless Steel Piping – Ensure the **lower** gasket of the universal appliance adapter is in place and properly positioned prior to installation. Ensure the venting system does not apply a load or strain on the boiler flue outlet adapter; recommend using two elbows to create a “swing joint” to reduce potential strain on vent piping and joints. See Figure 4-3(d).



DANGER

Exhaust venting must be supported to reduce strain on piping joints. Failure to follow these instructions may result in result in damage, serious injury or death.



NOTICE

In Canada, the first **3 ft (915 mm)** of vent piping must be readily accessible for inspection.

Figure 4-2 (a) Universal Exhaust-vent & Air-inlet Appliance Adapter
Gasket Identification and Pipe Insertion Depth

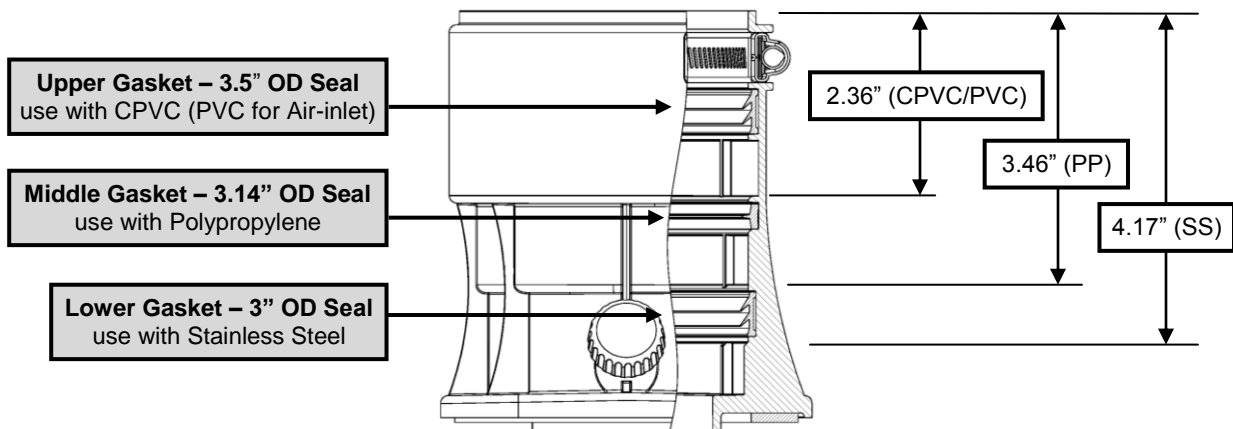


Figure 4-2 (b) Universal Exhaust-vent & Air-inlet Appliance Adapter
Proper Exhaust Vent Connection

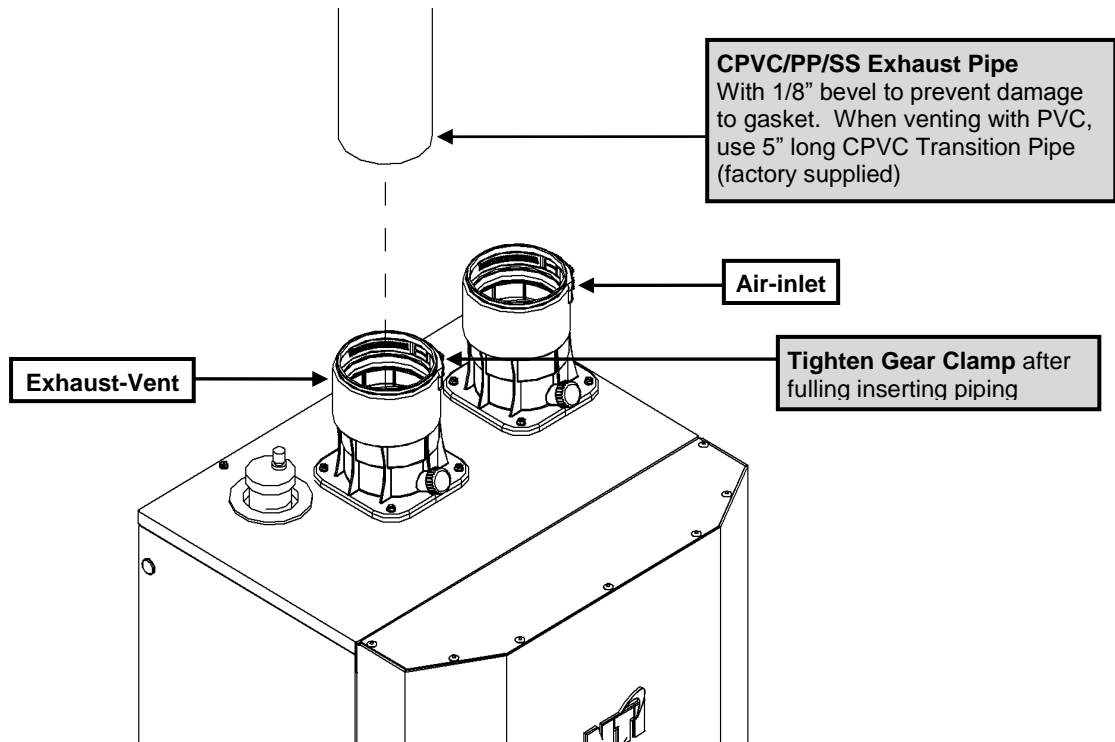


Figure 4-3(a) Near Boiler Venting (PVC)

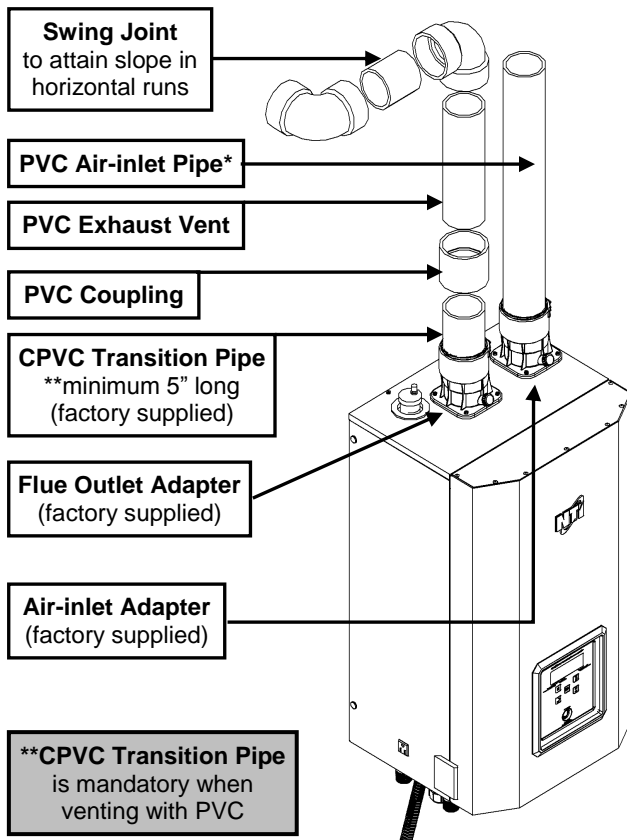


Figure 4-3(b) Near Boiler Venting (CPVC)

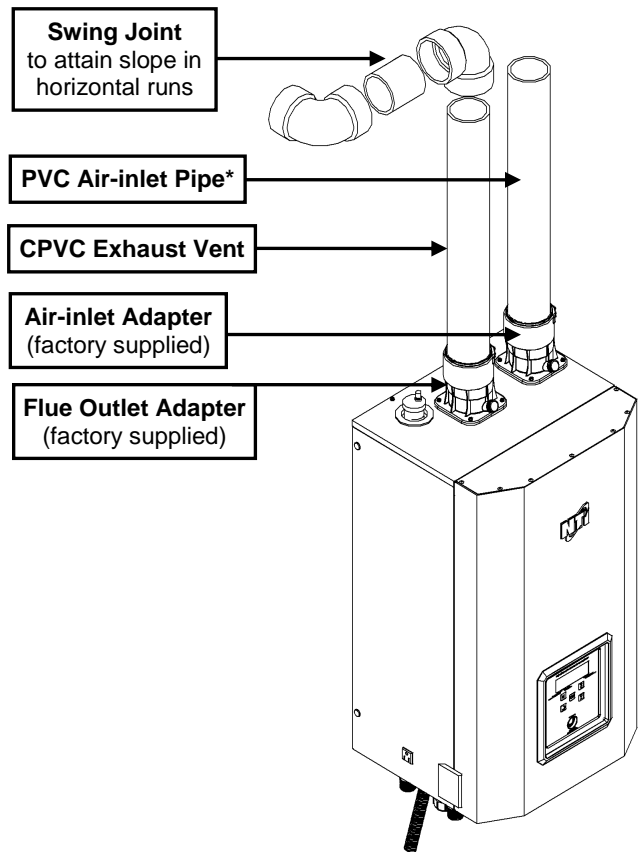


Figure 4-3(c) Near Boiler Venting (PP)

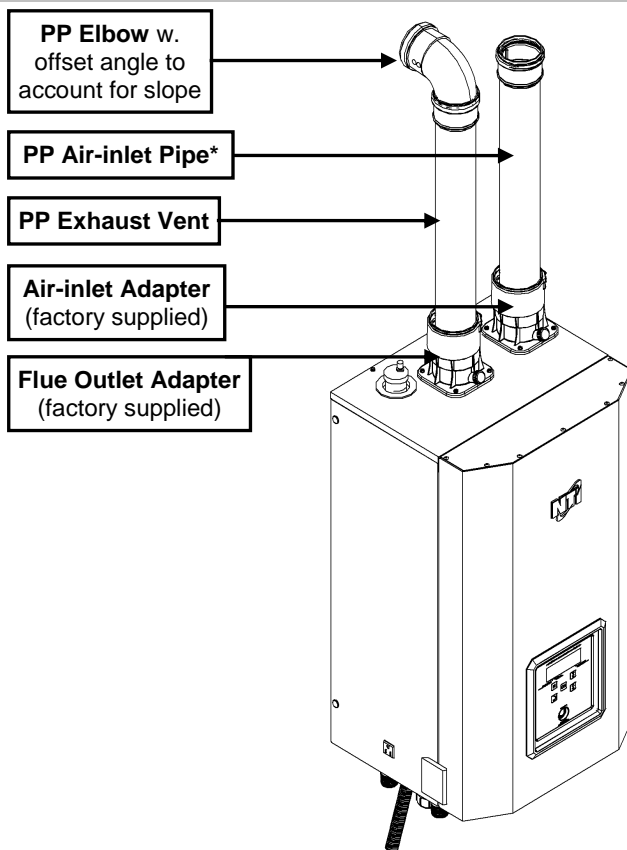
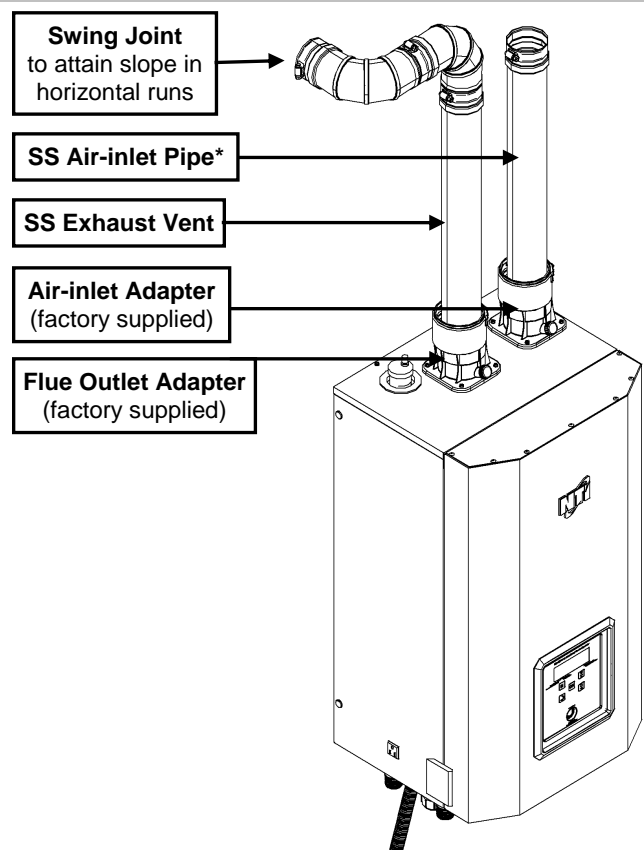



Figure 4-3(d) Near Boiler Venting (SS)



* Air-inlet - check with applicable local codes for acceptable pipe material.

Vent/Air-inlet Pipe Material**Table 4-2 Approved Vent and Air-inlet Pipe Material**

Items ¹	Materials ^{2, 3}	Venting System Standards		
		United States	Canada ⁴	
Vent Piping and Fittings	PVC - DWV	ANSI/ASTM D2265	In Canada, all exhaust vent material must be ULC S636 approved . See Note 4 below for appropriate temperature applications.	All Vent and Air-Inlet materials installed on gas fired appliances in CAN/US must meet the specifications provided in this Table. Failure to comply could result in fire, serious injury or death.
	PVC Schedule 40	ANSI/ASTM D1785		
	CPVC Schedule 40	ANSI/ASTM F441		
	Stainless Steel (SS)	UL-1738		
	Polypropylene (PP)	-		
Pipe Cement	PVC	ANSI/ASTM D2564		
	CPVC	ANSI/ASTM F493		
Primers	PVC / CPVC	ANSI/ASTM F656		

Notes:
¹ Refer to Table 4-3 for Allowable Vent and Air-inlet Pipe Sizes and Lengths.
² PVC venting (exhaust and air-inlet) is not permitted within the Closet/alcove of a Closet/alcove installation.
³ The Air-inlet does not require high temperature pipe material; ABS and PVC Foam Core piping is acceptable. Check applicable local codes for acceptable materials.
⁴ ULC S636 PVC is approved for flue gas temperatures up to 149°F (65°C) and must only be used for low temperature applications. High temperature applications requiring boiler supply water temperatures greater than 140°F (60°C) must use ULC S636 CPVC, PP or SS.



The use of cellular core PVC (ASTM F891), cellular core CPVC, or Radel® (polyphenolsulfone) in the exhaust venting system is prohibited. Failure to follow these instructions may result in property damage, personal injury or death.



Covering non-metallic vent pipe and fittings with thermal insulation is prohibited. Failure to follow these instructions may result in property damage, personal injury or death.

Vent/Air-inlet Pipe Length Determination

Use Table 4-3 to determine the maximum pipe length that can be used. The table calculates 90° elbows, and 45° elbows at 5 equivalent feet each.

Example: When using 3" pipe, a Tx151 boiler can be installed with 150 equivalent feet of air-inlet piping and 150 equivalent feet of exhaust-vent piping. See Table 4-3 for more details.

Table 4-3 Allowable Vent and Air-inlet Pipe Size and Lengths

Model No.	Pipe Size	Gas	Length (ft)	Number of Elbows (90's or 45's) and Equivalent Feet								
				1	2	3	4	5	6	7	8	9
Tx51-151 (C)	2" ¹	NG / LP	100	95	90	85	80	75	70	65	60	55
	3"		150	145	140	135	130	125	120	115	110	105
Tx200 (C)	3"		100	95	90	85	80	75	70	65	60	55

Note:
¹ See WARNING below.



PVC Exhaust Venting – When using 2" PVC venting, the first seven (7) equivalent feet of exhaust venting must be approved 2" CPVC or 3" PVC; see exceptions in Table 4-2.

Termination Options – Direct Vent Installation

The venting system of the Tx may be terminated using field supplied piping to construct a “Two-Pipe” termination, see Figures 4-4(a), 4-5(a), 4-5(d), 4-6(a), 4-7(a) and 4-7(d); alternatively the venting may be terminated using a factory kit selected from Table 4-5.



Sidewall Termination - Due to potential moisture loading (build-up) along the exterior wall, sidewall venting may not be the preferred venting option. Refer to Figures 4-5 and 4-7 for roof top venting options.



The vent for this appliance shall not terminate over public walkways; or near soffit vents or crawl space vents or other area where condensate of vapor could create a nuisance or hazard or cause property damage; or where condensate or vapor could cause damage or could be detrimental to the operation of regulators, relief valves, or other equipment.



Extra precaution must be taken to adequately support the weight of the Vent/Air-inlet piping in applications using roof-top terminations. Failure to follow these instructions may result in venting or boiler component failure resulting in flue gas spillage leading to property damage, serious injury or death.

Optional Termination Kits – Direct Vent Installation

Kits certified with the Trinity Tx are listed in Table 4-5 and available from the manufacturers listed in Table 4-4. Kits with an NTI part number listed in Table 4-5, are available directly from NTI.

Table 4-4 Optional Termination Kit OEMs

Venting Brand	Vent Manufacturer	Contact Information
System 636®	IPEX Inc.	www.ipexinc.com
PolyPro®	DuraVent	www.duravent.com
InnoFlue®	Centrotherm Eco Systems	www.centrotherm.us.com
Z-DENS®	Z-Flex Venting Systems	www.z-flex.com

Table 4-5 Optional Vent Termination Kits

Description	Vent Size	Supplier p/n	Figure	Vent Material Compatibility	Vent Option	
					Roof	Wall
IPEX Low Profile (Wall) ⁷	2"	196984	4-4(b), 4-6(c)	PVC/CPVC ⁷	✗	✓
	3"	196985 (NTI p/n 84357)			✓	✓
IPEX Concentric (Wall/Roof) ^{4,5,6,7}	2"	196125	4-4(c), 4-5(c), 4-6(b), 4-7(b)	PVC/CPVC ⁷	✓	✓
	3"	196116 (NTI p/n 82666) 197117			✓	✓
PolyPro® Concentric (Wall)	2-3"	2PPS-HK, 3PPS-HK	4-4(c), 4-6(d)	PolyPro® Polypropylene	✗	✓
PolyPro® Concentric (Roof)	2-3"	2PPS-VK, 3PPS-VK	4-5(c), 4-7(c)		✓	✗
InnoFlue® Flush Mount (Wall)	2-3"	ISLPT0202, ISLPT0303	4-4(b), 4-6(c)	InnoFlue® Polypropylene	✗	✓
InnoFlue® Concentric (Wall)	2-3"	(ICWT242 & ICTC0224), (ICWT352 & ICTC0335)	4-4(c), 4-6(d)		✗	✓
InnoFlue® Concentric (Roof)	2-3"	(ICRT2439 & ICTC0224), (ICRT3539 & ICTC0335)	4-5(c), 4-7(c)		✓	✗
Z-DENS® Concentric (Wall)	2-3"	2ZDHK2, 2ZDHK3	4-4(c), 4-6(d)	Z-DENS® Polypropylene	✗	✓
Z-DENS® Concentric (Roof)	2-3"	2ZDVK2, 2ZDVK3	4-5(c), 4-7(c)		✓	✗

Notes:

¹ Instructions included with termination kits contain detailed assembly and installation instructions.

² Clearance requirements in this manual supersede those of the instructions included with the vent terminal.

³ Piping **MUST** be secured to the vent terminal during installation.

⁴ IPEX Concentric Terminal **MUST** be cemented together and to the vent pipes during installation.

⁵ Vent Screens provided with boiler may be used with the IPEX Concentric Vent Kits; otherwise use IPEX vent screens (2 in. vent screen p/n 196050; 3 in. vent screen p/n 196051 – each sold separately).

⁶ IPEX Low Profile and Concentric kits (excluding p/n 197117) are constructed out of ULC S636 approved **PVC**; check with your local authority for the acceptance of PVC as a venting material prior to use.

⁷ IPEX Concentric kits can be shortened to fit the requirements of the installation; see instructions included with the kit for more details.



PVC In Canada - Authorities in some jurisdictions may not allow the use of any PVC venting materials with condensing boilers; check with the local safety inspector to verify compliance prior to installing a PVC Concentric Vent Kit with a Trinity Tx.

Sidewall Venting Options – Direct Vent Installation

Figure 4-4(a)

Two-pipe Termination (Sidewall)

WARNING

Exhaust must terminate a minimum of 18" above Air-inlet termination; see Figure 4-6(a) for more details.

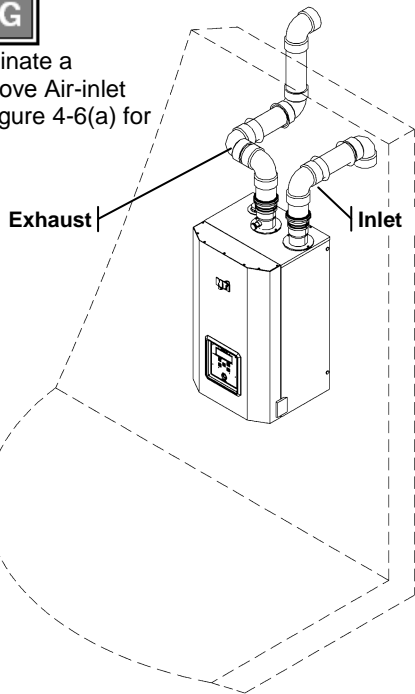


Figure 4-4(b)

Low Profile Termination (Sidewall)

WARNING

3" IPEX Low Profile Termination illustrated; see Figure 4-6(c) for more details.

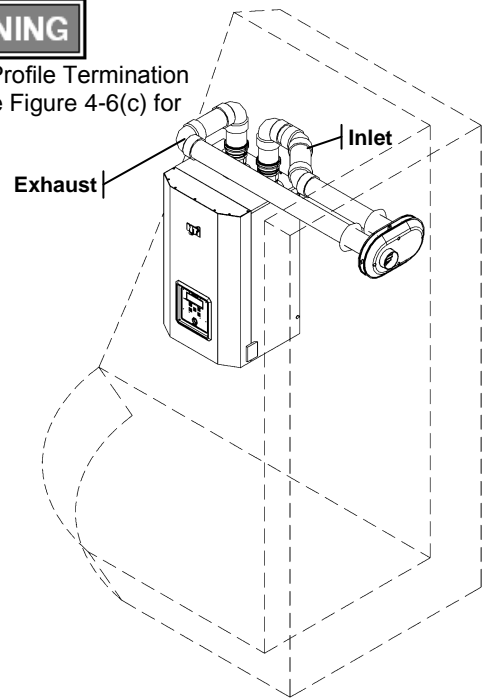
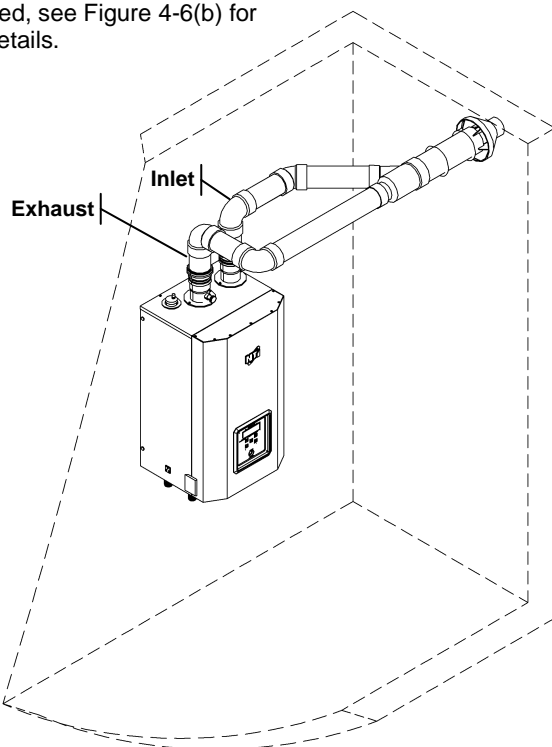


Figure 4-4(c)

Concentric Termination (Sidewall)

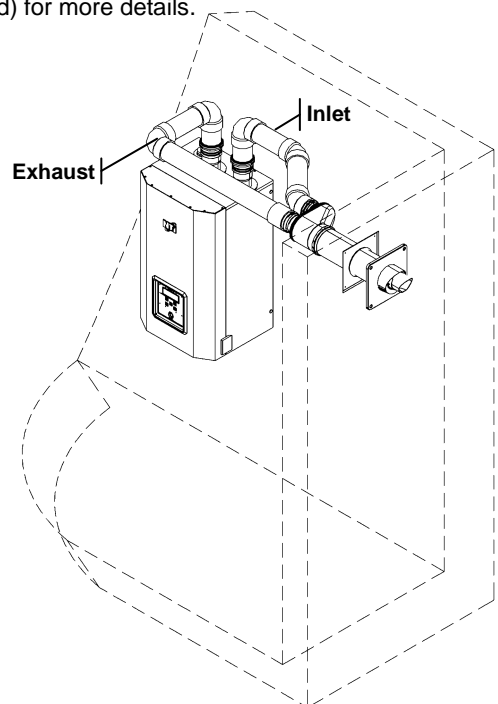
WARNING

3" IPEX Concentric Termination illustrated, see Figure 4-6(b) for more details.



WARNING

3" DuraVent Concentric Termination illustrated, see Figure 4-6(d) for more details.



Roof Venting Options – Direct Vent Installation

Figure 4-5(a)

Two-pipe Termination (Roof)

WARNING

Exhaust must terminate a minimum of 18" above the Air-inlet termination; see Figure 4-7(a) for more details

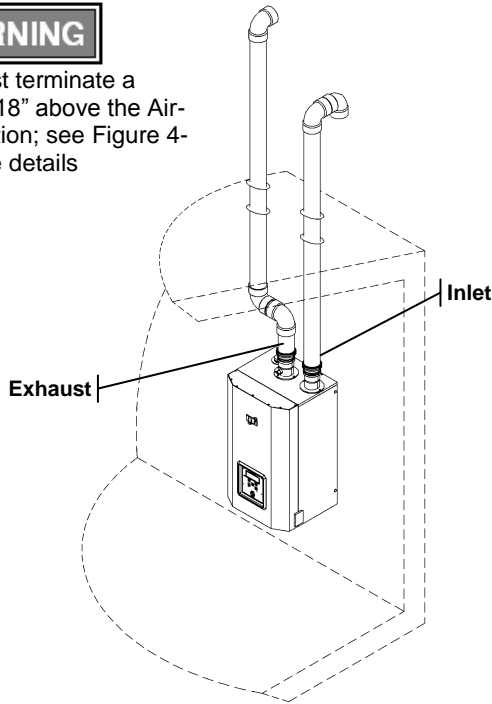


Figure 4-5(b)

Two-pipe Termination (Roof-exhaust / Sidewall-inlet)

WARNING

Exhaust must terminate a minimum of 12" above snow level; see Figure 4-7(d) for more details

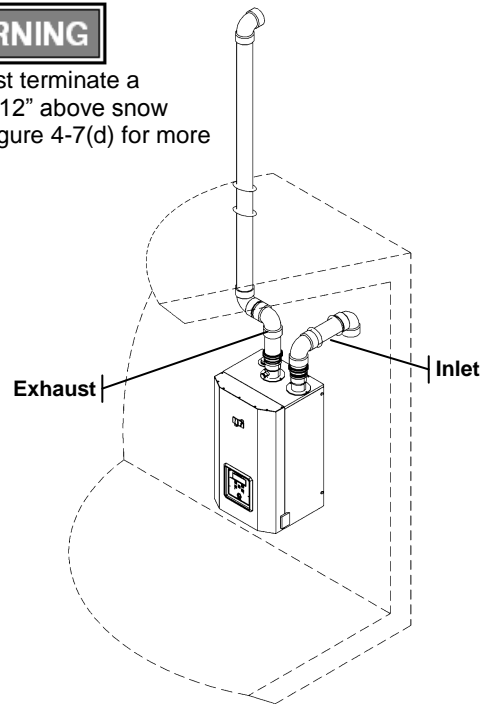
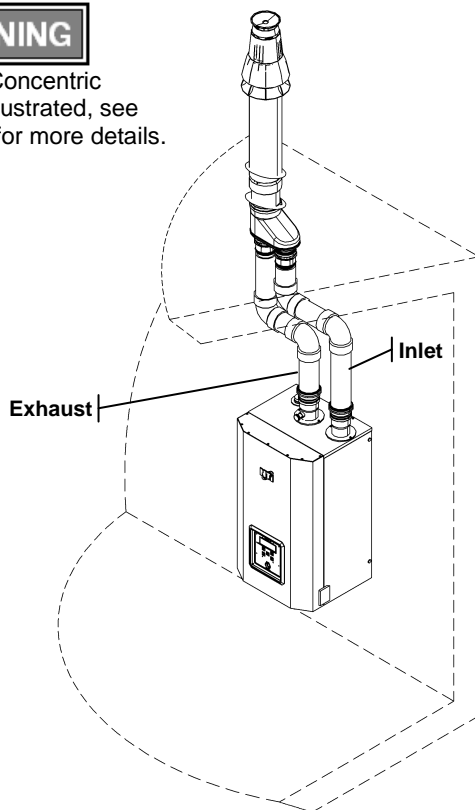


Figure 4-5(c)

Concentric Termination (Roof)

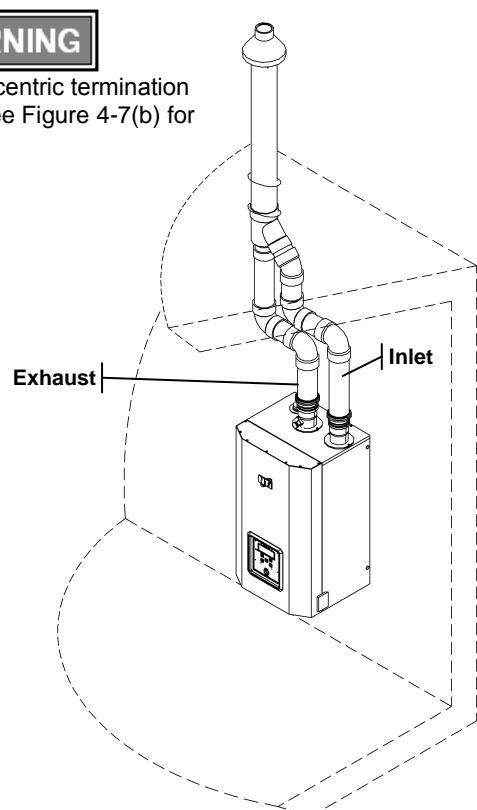
WARNING

3" DuraVent Concentric Termination illustrated, see Figure 4-7(c) for more details.



WARNING

3" IPEX Concentric termination illustrated, see Figure 4-7(b) for more details.



Sidewall Termination Details – Direct Vent Installation

Figure 4-6(a)

Two-Pipe Termination (Sidewall)

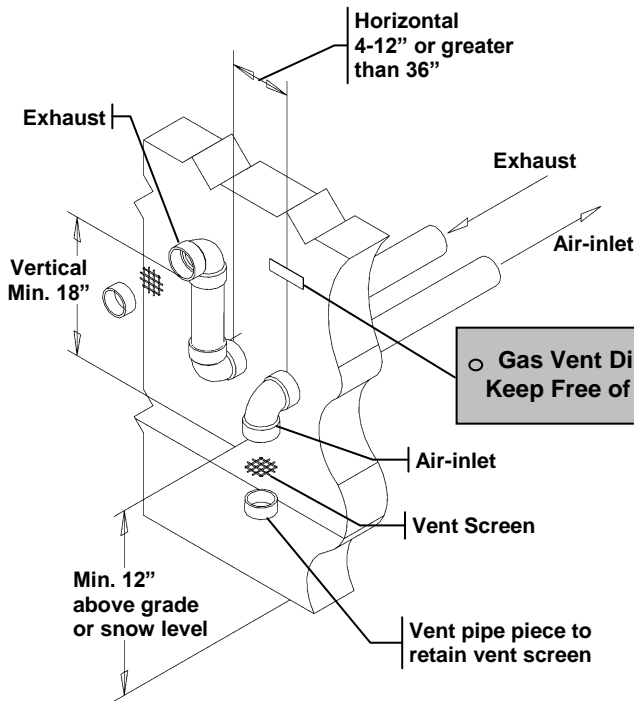


Figure 4-6(b)

IPEX Concentric Termination (Sidewall)

WARNING

Refer to documentation included with termination kit for complete installation instructions.

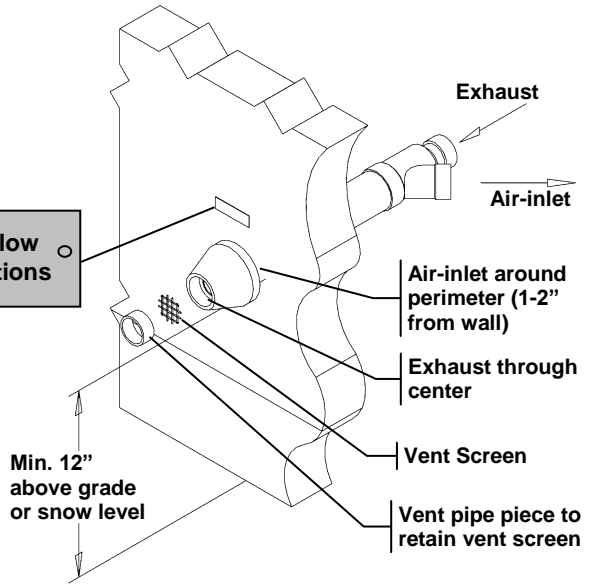


Figure 4-6(c)

Low Profile Termination (IPEX Illustrated)

WARNING

Refer to documentation included with termination kit for complete installation instructions.

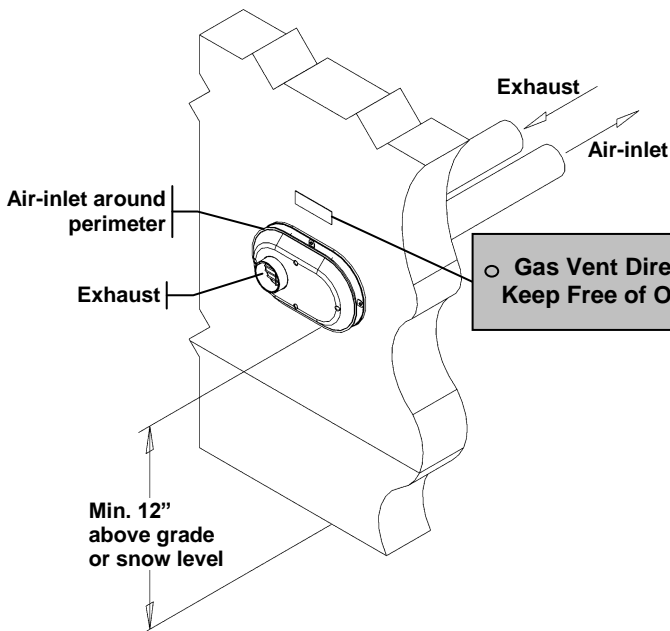
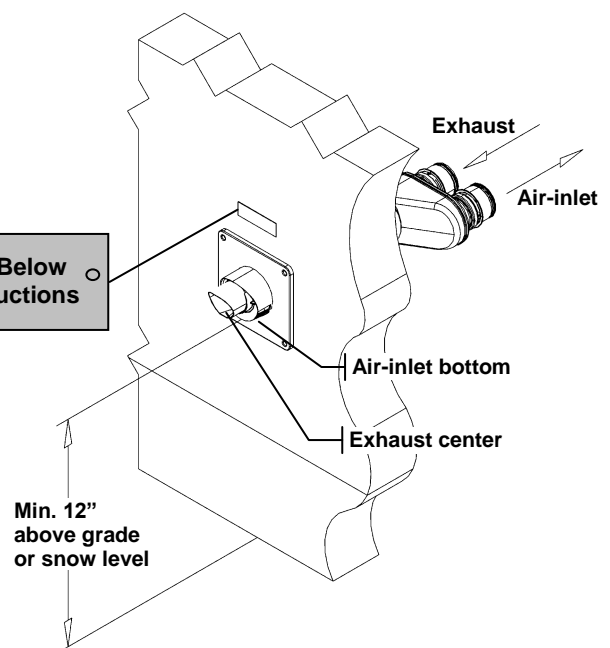


Figure 4-6(d)

PolyPro / InnoFlue Wall Termination

WARNING

Refer to documentation included with termination kit for complete installation instructions.



Roof Termination Details – Direct Vent Installation

Figure 4-7(a)

Two-Pipe Termination (Roof)

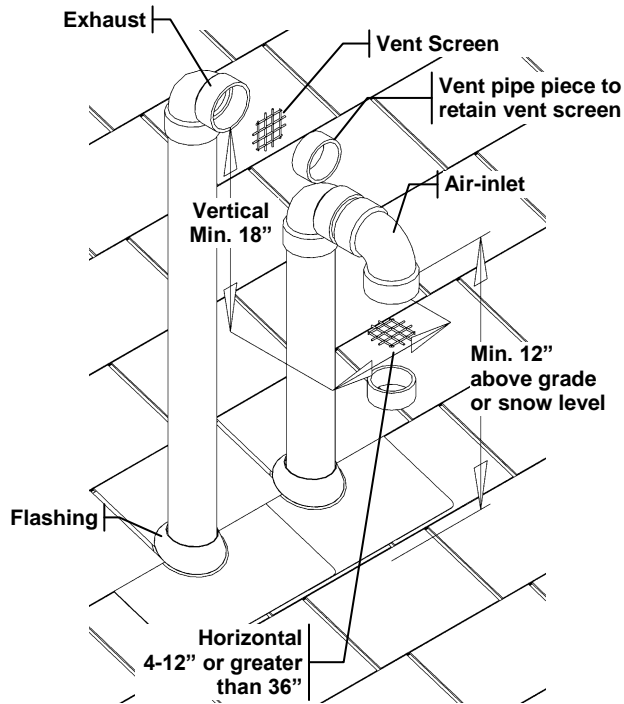


Figure 4-7(b)

IPEX Concentric Termination (Roof)

WARNING

Refer to documentation included with termination kit for complete installation instructions.

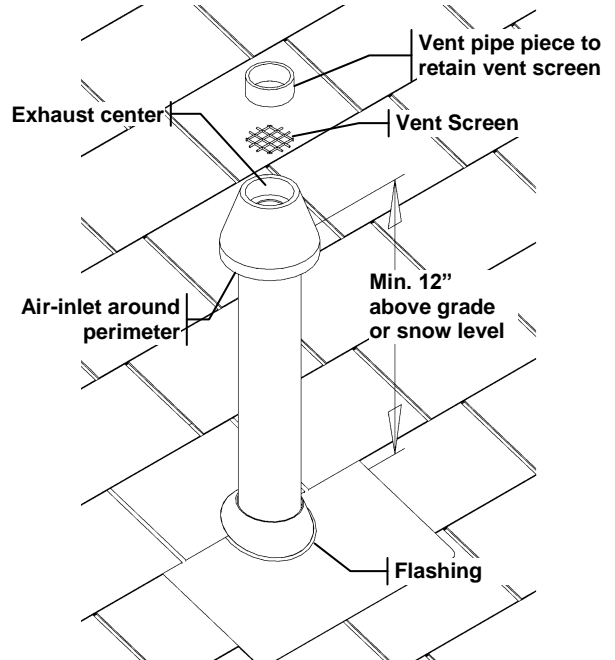


Figure 4-7(c)

PolyPro / InnoFlue Roof Termination

WARNING

Refer to documentation included with termination kit for complete installation instructions.

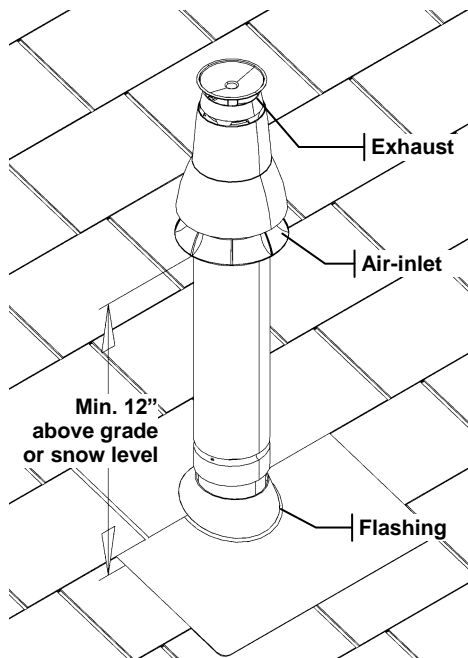
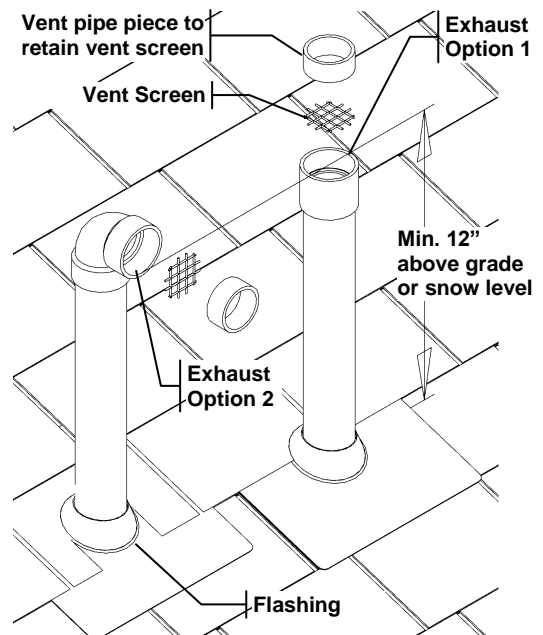


Figure 4-7(d)

Exhaust only Roof Termination

WARNING

Figure illustrates two options for exhaust termination only; neither vent pipe illustrated is for combustion air-inlet.



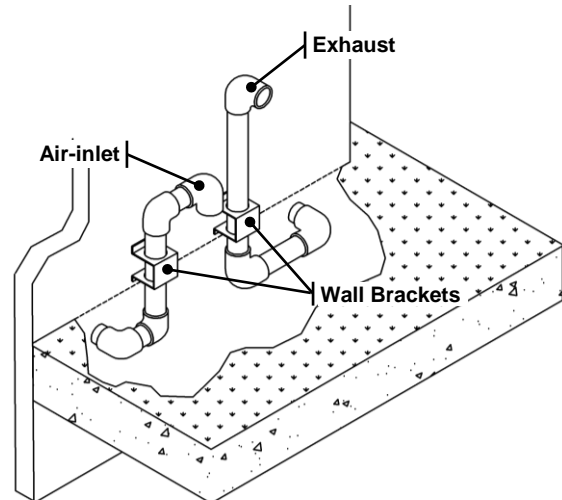
Venting Rules and Guidelines

1. **Prevailing Winds:** Ensure the vent is located where it will not be exposed to normal prevailing winds.
2. **Combustion Air-inlet Contamination:** Air for combustion must be drawn from an area free of dust and contaminants. Combustion air containing chemicals such as chloride, fluoride, bromine or iodine or dust and debris will cause corrosion damage of the heat exchanger voiding your NTI warranty. Refer to Table 4-1 for a list of corrosive products and contaminants sources to avoid.
3. **Vertical Separation:** The exhaust must be a minimum of 18" [457 mm] above the air inlet, and the air inlet must always be a minimum of 12" [305 mm] plus snow allowance above any surface that will support snow. (Two feet plus snow allowance is highly recommended). Consult your weather office for the maximum typical snowfall for your region.
Example: New Brunswick Canada - typical maximum snowfall is 19", thus the inlet must be (12"+19") = 31" above grade and exhaust must be (31"+18") = 49" above grade.
4. **Horizontal Separation:** The horizontal distance between the inlet and exhaust must be a minimum of 4" [102 mm] center to center.
5. **Wall Flashing:** Under normal operating conditions this boiler will produce a plume of white gases, and should be taken into consideration when selecting an adequate location. A 36" [915 mm] diameter stainless, plastic, or vinyl shield can be used to flash the exterior of the residence.
6. **Flue Gas Hazard:** Position the vent termination where vapors cannot make accidental contact with people and pets or damage nearby shrubs and plants.
7. **Elbow Extensions:** Elbows on outside of wall must be no more than ½" [13 mm] away from the wall.
8. **Vent Sloping:** All indoor exhaust piping must be on a slope back to the boiler a minimum of ¼" per linear foot of vent [6.25 mm per linear 305 mm]. For applications where excessive condensation is possible ½" per linear foot [13 mm per linear 305 mm] is recommended.
9. **Vent Supports:** Where required Vent and Air-inlet piping shall be secured to the wall for more rigidity. All interior vent pipe shall be supported a minimum of every 36" [915 mm].
10. **Roof Exhaust:** In all roof applications the discharge must point away from the pitch of the roof.
11. **Roof Flashing:** Install adequate flashing where the pipe enters the roof, to prevent water leakage.
12. **Rain Cap:** Install and seal a rain cap over existing chimney openings, in vacant chimney applications.
13. **Venting Below Grade:** For installations that exit the wall below grade refer to Figure 4-8.
14. **Vent Screens:** Install factory supplied vent screens on the outside of the last elbow for both the inlet and exhaust vent terminal elbows. Install the screen into the female opening of the elbow, and then cut a small piece of pipe to sandwich the screen into the elbow. NOTE: ensure the small piece of pipe cut, does not extend past the end of the elbow. Two screens are provided in the package. See Figures 4-6 and 4-7.
15. **Condensate Hazard:** Do not locate vent over public walkways, driveways or parking lots. Condensate could drip and freeze resulting in a slip hazard or damage to vehicles and machinery.
16. **Warning Plate:** For Sidewall Venting, install the warning plate "Gas Vent Directly Below", directly above (within 4 ft [1.22 m] vertically) the location of the air-inlet pipe, so it is visible from at least 8 ft [2.4 m] away. See Figure 4-6.
17. **Wall Thickness:** Direct vent terminations are designed to work with any standard wall thickness. Installation guidelines for min/max wall thickness are as follows: Min.= 1" [25mm], Max.= 60" [1.52 m].
18. **Venting Options:** Due to potential moisture loading (build-up) along the exterior wall, sidewall venting may not be the preferred venting option. Refer to Figures 4-5 and 4-7 for roof top venting options.

Figure 4-8 Venting Below Grade

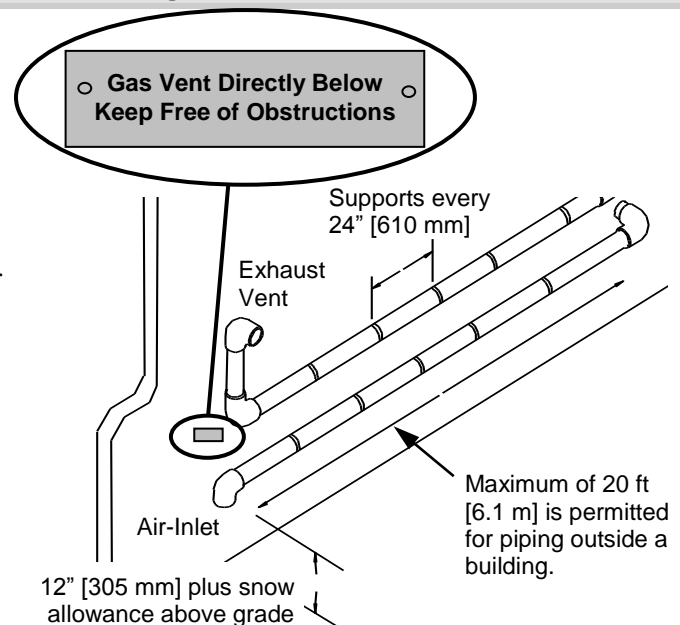
For installations that exit the wall below grade:

1. Excavate site to a point below where the pipes are to exit as shown.
2. Ensure the wall is fully sealed where the pipes penetrate.
3. The Vent/Air-inlet piping **MUST** be secured to the side of the building above grade, as shown, to provide rigidity.
4. Optional mounting bracket PN. 82075 for securing the exhaust pipes (only applicable for 3" PVC/CPVC venting).
5. Ensure that the Vent/Air-inlet clearances are maintained, see Section 5.0 for details.

**Figure 4-9 Outdoor Venting**

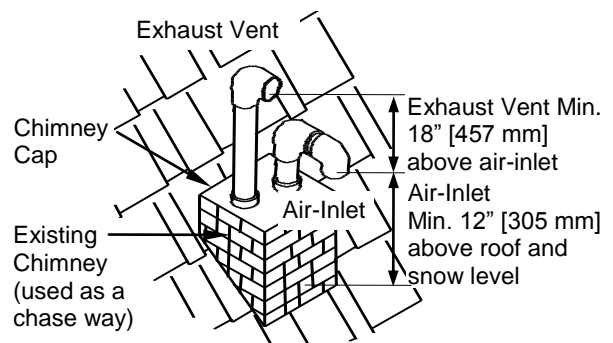
Vent piping outside the building is permitted under the following conditions:

1. The maximum length outside the building is 20 feet [6.1 m]. Note that outdoor length must be included in the overall vent length calculation.
2. All normal termination clearances are maintained.
3. The pipe is supported every 24" [610 mm].
4. The exhaust and inlet are sloped back to the boiler $\frac{1}{2}$ " elevation for every linear foot [13 mm for every linear 305 mm].

**Figure 4-10 Existing Chimney Chase Way**

It is permissible to use an existing chimney as a chase way to run the Vent/Air-inlet piping as long as:

1. The chimney is not being used by any other boiler.
2. Flue gases don't enter the vacant chimney.
3. Only Trinity certified venting materials are used, see Section 4.0.
4. Vent lengths are within the maximums specified.
5. The top of the chimney is capped and the Vent/Air-inlet pipes are flashed to prevent leakage into the vacant chimney.



Under no circumstances may an existing chimney or chase-way be used to vent or provide combustion air to a Trinity Tx. Failure to follow these instructions will result in fire, property damage, serious injury or death.

5.0 VENT/AIR-INLET TERMINATION CLEARANCES



The quick reference table below is to be read in conjunction with the numbered notes as indicated, Figures 5-1 and 5-2, and the Venting Rules and Guidelines in Section 4.0. The instructions detailed in this section are a combination of Trinity Tx specific and National Gas Code restrictions. Compliance alone doesn't insure a satisfactory installation as good common sense must also be applied. Failure to follow these instructions may result in fire, property damage, serious injury or death.

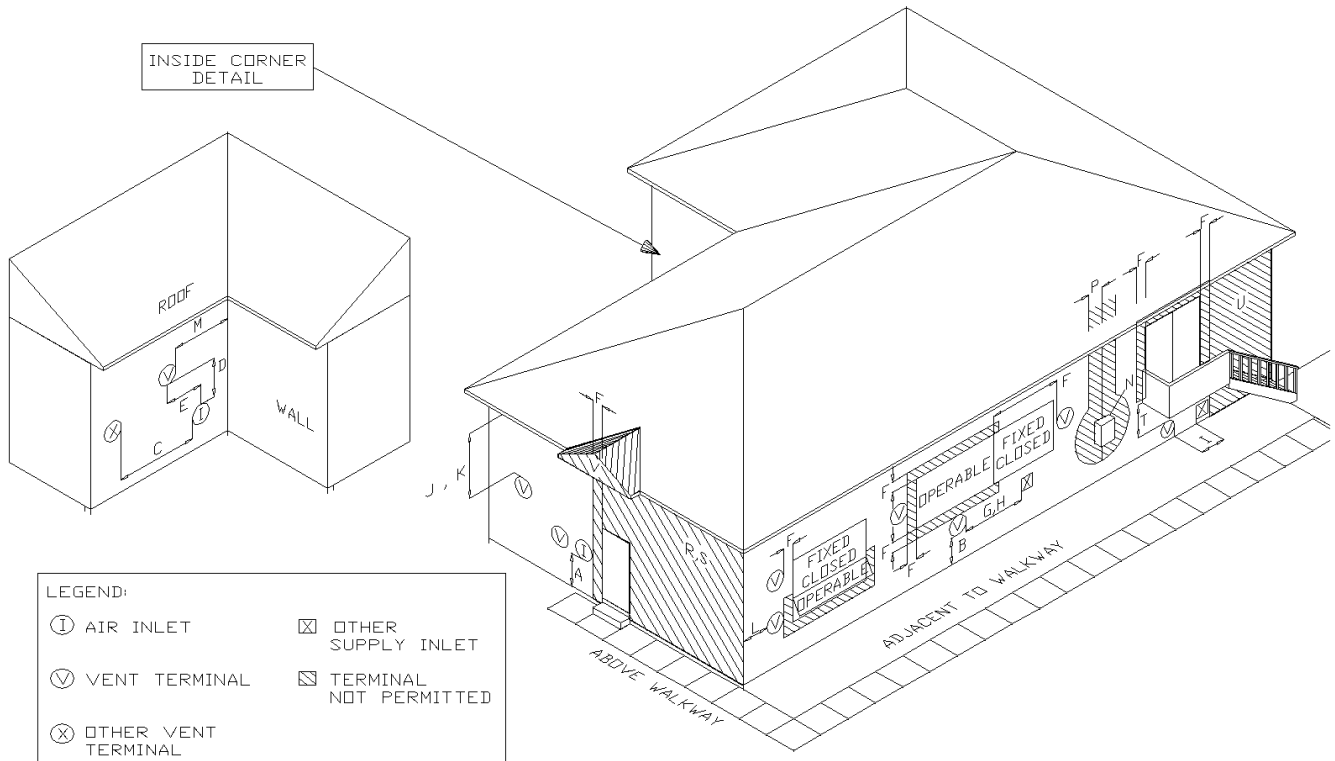
Table 5-1 Termination Clearances Quick Reference Table (See Figures 5-1 and 5-2)

Clearances to Air-Inlet Termination	Canada ¹		USA ²	
	Min. Distance		Min. Distance	
A Above grade/roofline and snow level ⁸	12 in.	305 mm	12 in.	305 mm
B Above roof line - Concentric Vent ^{6, 11, 13}	24 in.	610 mm	24 in.	610 mm
C To exhaust vent from any other boiler	36 in.	915 mm	12 in.	305 mm
Clearances to Exhaust Vent Termination	Min. Distance		Min. Distance	
A Above grade/roofline and snow level ⁸	12 in.	305 mm	12 in.	305 mm
D Minimum vertical separation above air inlet ⁹	18 in.	457 mm	18 in.	457 mm
E Minimum horizontal separation from air inlet ³	4 in.	102 mm	4 in.	102 mm
F Window or door that may be opened, or other building opening	36 in.	915 mm	12 in.	305 mm
G To combustion air inlet of any other appliance	36 in.	915 mm	12 in.	305 mm
H Non-mechanical air supply inlet to building	36 in.	915 mm	12 in.	305 mm
I Mechanical air supply inlet to building ⁴	6 ft.	1.83 m	3 ft.	915 mm
J Soffit, overhang, eave or parapet	24 in.	610 mm	24 in.	610 mm
K Soffit vent or vent opening in an overhang, eave or parapet	6 ft.	1.83 m	6 ft.	1.83 m
L Outside corner ¹⁰	-	-	-	-
M Inside corner of an L-shaped structure (including walls and fences)	36 in.	915 mm	36 in.	915 mm
N Service regulator / vent outlet	36 in.	915 mm	36 in.	915 mm
P Each side of center line above or below meter / regulator assembly ⁵	36 in.	915 mm	36 in.	915 mm
Q Above a paved sidewalk, driveway, or parking lot on public property if adjacent ¹²	7 ft.	2.13 m	7 ft.	2.13 m
R Above a public walkway	x	x	x	x
S Above a sidewalk or paved driveway that is located between two single family dwellings and services both dwellings	x	x	x	x
T Under a concrete veranda, porch, deck, or balcony ⁷	24 in.	610 mm	24 in.	610 mm
U Above, under or near exterior stairs	x	x	x	x
V Into a canopy or carport	x	x	x	x

Notes:

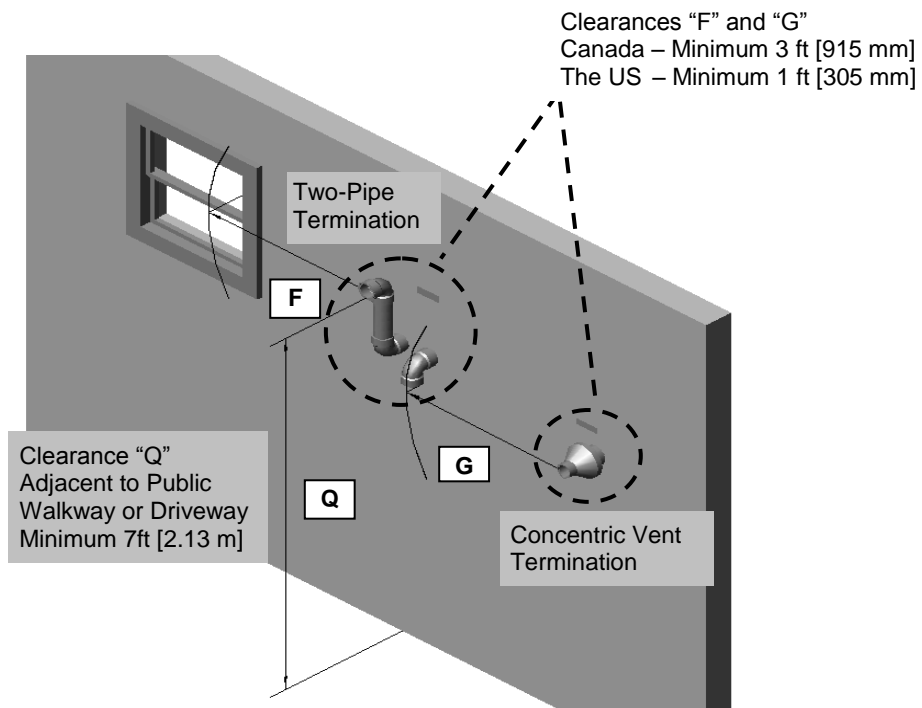
- 1 - Canadian installations must comply with the current CSA B149.1 Natural Gas and Propane Installation Code and local building codes.
 - 2 - US installations must comply with current ANSI Z223.1/ NFPA 54 National Fuel Gas Code and local building codes.
 - 3 - Horizontal separation center-to-center (c.c.) 4'-12" (102-305 mm).
 - 4 - For US installations, an exhaust vent must be 3 ft above a mechanical air supply inlet if within 10 ft. [3 m] horizontally.
 - 5 - Horizontal clearance must be observed up to a height of 15 ft. [4.6 m] above/below the meter, regulator, or relief devices.
 - 6 - Concentric Vent must protrude from the roof precisely 24" [610 mm] measuring from the terminal end-cap vanes.
 - 7 - Permitted if veranda, porch, deck, or balcony is made of concrete and a minimum of two sides are fully open beneath.
 - 8 - 24" is the recommended snow level allowance above grade/roofline or any surface that will support snow, debris, or ice (i.e. for roof venting clearances - roofline and snow level). If living in a snowfall region, consult your local weather office for the maximum typical snowfall for your area.
 - 9 - Note that the vent must maintain a minimum vertical distance above the air-inlet. Example: Vent height = 18" (457 mm) above air inlet + 12" (305 mm) for air inlet above grade/roof line and snow level = 30" (762 mm) above grade and snow level.
 - 10 - Clearances to an outside corner to be in accordance with local installation codes.
 - 11 - In Canada, concentric vent materials are subject to approval by local inspectors. See Termination Kits in Section 4.0.
 - 12 - Above public walkways, driveways or parking lots if adjacent to it and condensate cannot drip, freeze, or create a hazard.
 - 13 - Contact the manufacturer for special exemptions relating to multiple boiler installations using concentric vents.
- x - Not permitted by National gas code(s) and/or recommended by boiler manufacturer.

Figure 5-1 Termination Clearance Quick Reference Diagram (See Table 5-1)



Illustrations of Termination Clearances

Figure 5-2 Sidewall Termination (See Table 5-1)



G – Letter represents a specific Termination Position. Refer to Table 5-1 for corresponding termination clearances.

6.0 CONDENSATE DRAIN

This unit produces liquid condensate in the heat exchanger and venting system as a product of combustion. Steps must be taken to ensure condensate does not collect in the venting system; therefore, all exhaust piping must slope back to the boiler a minimum 1/4" per linear foot of vent. Condensate must be drained from the unit into a household drain.

NOTICE

Check with your municipality, or local gas company to determine if the disposal of combustion condensate is permitted in your area (e.g. in the **State of Massachusetts** the condensate must be neutralized prior to entering a drain).

The following are important notes that must be taken into consideration when constructing the condensate drain system (See Condensate Trap Installation Instructions for further details):

- **DO NOT** install condensate lines outside. A frozen or blocked drain will cause the condensate to back-up and leak. This may result in damage to boiler components resulting in a no heat condition; property damage may also occur.
- **NEVER** use copper, steel, or galvanized piping in the construction of the condensate system (condensate is very corrosive and will corrode most metals).
- When a condensate pump is used or required, select a pump that is designed for residential furnaces.

Condensate Trap Installation Instructions (see Figure 6-1)

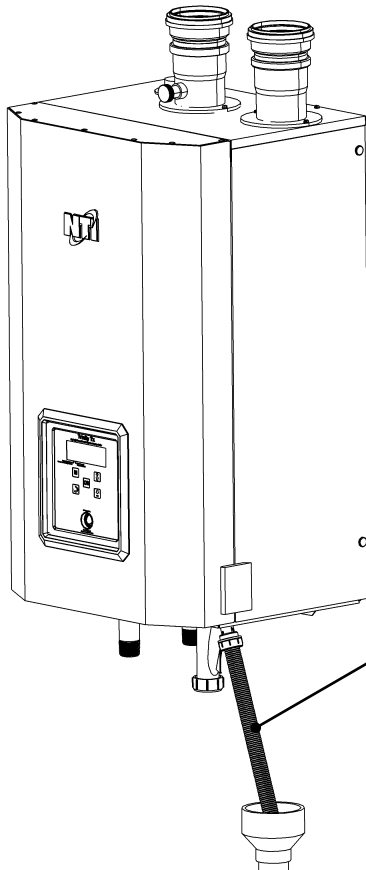
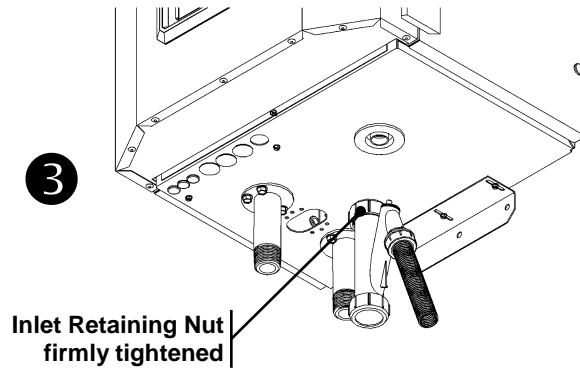
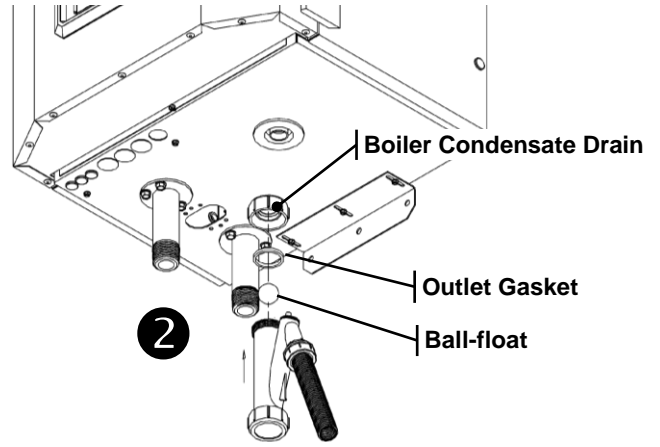
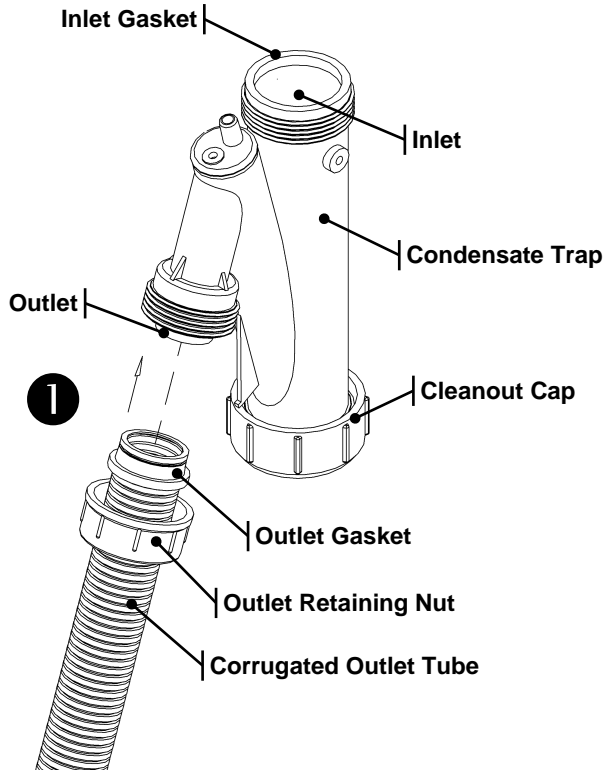
(Note: the Condensate Trap is factory supplied with the boiler and must be field installed)

1. **Attach Corrugated Outlet Tube** – Remove the **Outlet Retaining Nut** and **Outlet Gasket** and slide components onto the **Corrugated Outlet Tube** – note orientation (gasket should be positioned approximately 1/8" from the edge of the outlet tube – see Figure 6-1). Press the **Corrugated Outlet Tube** into the **Condensate Trap Outlet** and firmly hand-tighten the **Outlet Retaining Nut**.
2. **Attach to Boiler Condensate Drain (A)** – Ensure the **Ball-float** is placed inside the condensate trap, position the **Inlet Gasket** in between the condensate trap and boiler condensate outlet (See Figure 6-1).
3. **Attach to Boiler Condensate Drain (B)** – Secure the **Condensate Trap** into place by firmly hand-tightening the **Inlet Retaining Nut**.
4. **Outlet to Drain** – Route the condensate from the Corrugated Outlet Tube to a household drain, condensate pump or neutralizer (check with your local authority regarding the disposal of condensate).

DANGER

Carefully follow the above instructions and the accompanying figure – check to ensure the condensate trap is secure to the bottom of the boiler and that no strain is placed on it. Failure to install the condensate trap properly will result in flue gas spillage and leeching of carbon monoxide emissions into the surroundings resulting in serious injury or death.

Figure 6-1 Condensate Drain Piping



7.0 INSTALLING GAS PIPING



Tx boilers are factory set to operate with Natural Gas; **BEFORE OPERATING WITH PROPANE**, the boiler must be converted using the appropriate *Natural to LP Conversion Kit*; see Table 7-1. Failure to properly convert the unit to safely operate with Propane will cause dangerous burner operation, resulting in property damage, serious injury or death.



Liquefied Petroleum (LP) propane gas is heavier than air. Do not install the boiler in a pit or similar location that will permit heavier than air gas to collect. Check with Local Codes as they may require boilers fueled with LP gas to be provided with an approved means of removing unburned gases from the room. Failure to follow these instructions may result in serious injury or death.

Table 7-1 Natural to LP Propane Conversion Kit

Model	Kit Number	Orifice Number
Tx51	84867-1	3.5
Tx81	84867-2	3.8
Tx101	84867-3	4.2
Tx151, Tx151C	84867-4	5.05
Tx200, Tx200C	82650-1	6.2

Installation

Refer to the current **National Fuel Gas Code ANSI Z223.1/NFPA 54** or **CAN/CGA B149.1** installation codes, and local codes for gas piping requirements and sizing. Pipe size running to the unit depends on:

- Length of pipe.
- Number of fittings.
- Type of gas.
- Maximum input requirement of all gas boilers in the residence.

Ensure that:

- The gas line connection to the boiler does not apply any weight to the gas valve. NTI recommends using approved flexible gas piping (if acceptable by local codes) to connect the boiler to the gas supply (See Figure 7-1 for details).
- You plan the installation so the piping does not interfere with the vent pipe, or the removal of the valve, burner, and serviceable components.
- The Boiler is installed such that the gas ignition system components are protected from water (dripping, spraying, rain etc.) during installation and servicing.
- The gas piping is large enough for all the gas appliances in the home. No appreciable drop in line pressure should occur when any unit (or combination of units) lights or runs. Use common gas-line sizing practices.
- Always use a pipe-threading compound that is resistant to Propane (LP) gas solvent action. Apply sparingly to all male threads, starting at two threads from the end. Over doping or applying dope to the female end, can result in a blocked gas line.
- **DO NOT TIGHTEN FITTINGS WITHOUT SUPPORTING THE GAS VALVE** as damage to the valve or blower motor can occur.
- Install a manual “Equipment Shut-Off Valve” as shown in Figure 7-1. Valve must be listed by a nationally recognized testing laboratory.
- The gas line piping can safely be removed from the boiler for servicing, by strategically placing the gas line shutoff and union; see example in Figure 7-1.
- All gas piping, including gas components in the boiler, are checked for leaks using a “Bubble Test”, prior to operating the boiler.



Strain on the gas valve and fittings may result in vibration, premature component failure and leakage and may result in a fire, explosion, property damage, serious injury or death.

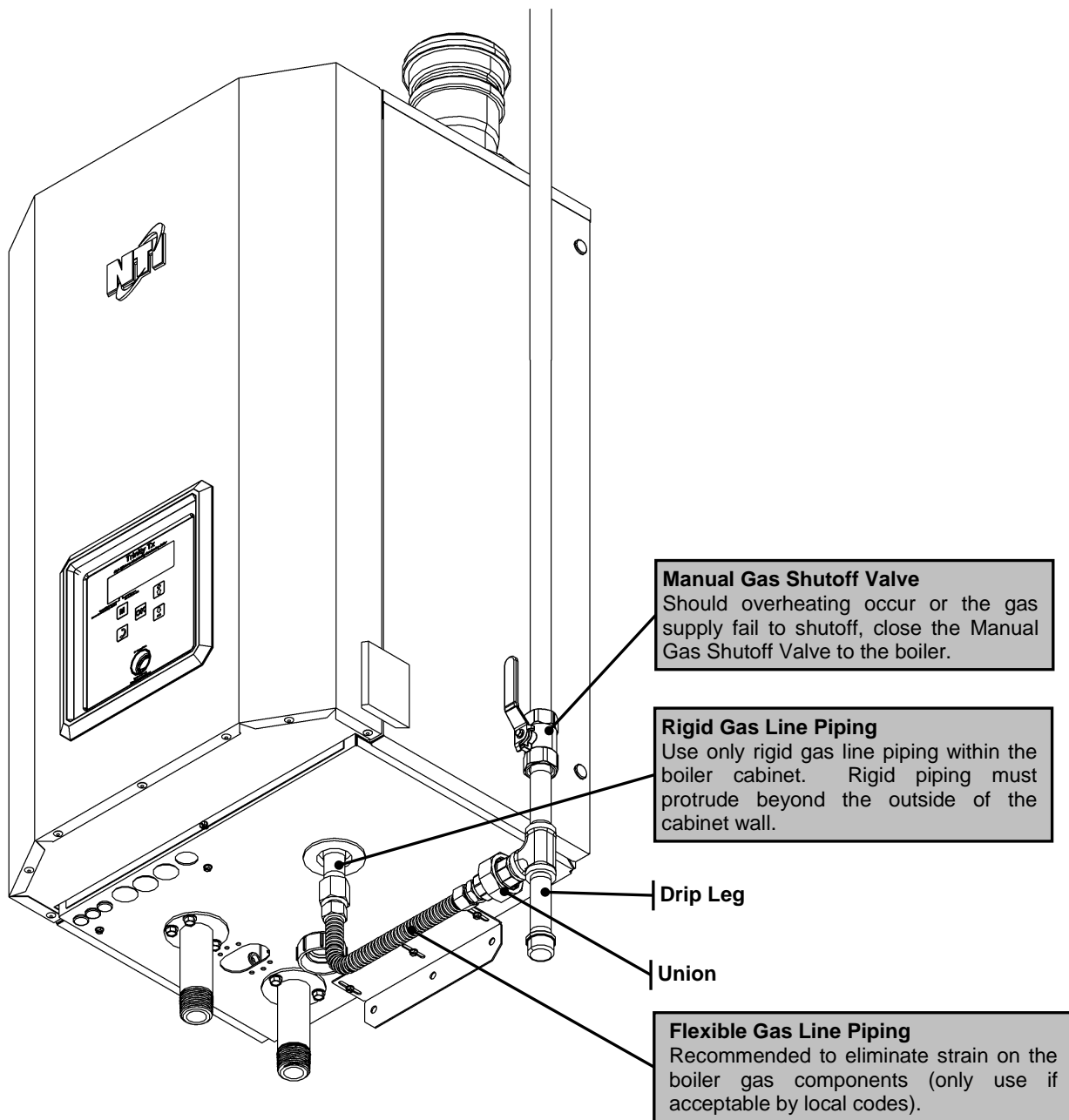


Do not use an open flame to test for gas leaks. Failure to follow these instructions may result in fire, explosion, property damage, serious injury or death.

WARNING

When performing a pressure test on the gas line piping, be sure the boiler is disconnected or isolated if the test pressure is expected to exceed 1/2 PSI (14" w.c.), as damage to the gas valve could occur resulting in fire, property damage, serious injury or death.

Figure 7-1 Gas Line Connection (Typical)

**WARNING**

Test all gas piping, internal and external to the boiler, for leaks. Failure to follow these instructions may result in fire, property damage, serious injury or death.

8.0 LIGHTING THE BOILER

⚠ DANGER

Before Start-up refer to **Mandatory Pre-commissioning Procedure for Plastic Venting** in Section 4.0. Failure to follow these instructions can result in explosions, injury or death.

⚠ DANGER

Prior to turning the gas supply on and lighting the boiler, ensure all aspects of the installation are complete and in conformance with the instructions provided in this manual, including the Vent/Air-inlet, Condensate Drain, and System Water Piping. Failure to precisely follow these instructions will cause a fire or explosion resulting in property damage, serious injury or death.

⚠ WARNING

Do not store or use gasoline or other flammable vapors & liquids in the vicinity of this or any other boiler. Failure to follow instructions could result in explosion causing property damage, serious injury or death.

⚠ WARNING

If you do not follow these instructions exactly, a fire or explosion may result causing property damage, serious injury or death.

⚠ WARNING

Should overheating occur or the gas supply fail to shutoff, close the Manual Gas Shutoff Valve to the boiler. Failure to follow instructions could result in explosion causing property damage, serious injury or death.

FOR YOUR SAFETY, READ BEFORE OPERATING

- A) This boiler does not have a pilot. It is equipped with an ignition device which automatically lights the burner. Do not try to light the burner by hand.
- B) BEFORE OPERATING smell all around the boiler area for gas. Be sure to smell next to the floor because some gas is heavier than air and will settle on the floor.
WHAT TO DO IF YOU SMELL GAS:
 - Do not try to light any boiler.
 - Do not touch any electric switch.
 - Do not use any phone in your building.
 - Immediately call your gas supplier from a neighbor's phone. Follow the gas supplier's instructions.
 - If you cannot reach your gas supplier, call the fire department.
- C) Use only your hand to turn the gas "shutoff" valve. Never use tools. If the handle will not turn by hand, don't try to repair it, call a qualified service technician. Force or attempted repair may result in a fire or explosion.
- D) Do not use this boiler if any part has been under water. Immediately call a qualified service technician to inspect the boiler and to replace any part of the control system and any gas control which has been under water.

OPERATING INSTRUCTIONS

1. STOP! Read the safety information above very carefully.
2. Set the thermostat to lowest setting. Turn off all electric power to the boiler.
3. This boiler does not have a pilot. It is equipped with an ignition device which automatically lights the burner. Do not try to light the burner by hand.
4. Turn the manual gas valve to the OFF position. Remove front access panel.
5. Wait five (5) minutes to clear out any gas. Then smell for gas, including near the floor. If you smell gas, STOP! Follow "B" in the safety information above. If you don't smell gas, go to the next step.
6. Turn the manual gas valve ON. Wait an additional five (5) minutes smelling for gas.
7. Replace the front access panel.
8. Set thermostat to highest setting. Turn on all electric power to the boiler.
9. Ignition sequence is automatic. Combustion will occur after a brief fan purge.
10. If ignition does not occur, follow the instructions "To Turn Off Gas To Boiler" and call your service technician or gas supplier.

TO TURN OFF GAS TO THE BOILER

1. STOP! Read the safety information above very carefully.
2. Turn off all electric power to the boiler
3. Turn the manual gas valve to the OFF position



The initial lighting of the boiler must be performed by a licensed Gas Technician. Failure to follow instructions may result in property damage, serious injury or death.

- Ensure the boiler is wired in accordance with this manual.
- Ensure the gas shutoff valve is turned on, and that the gas system has been fully tested for leaks.
- Ensure the system is completely filled with water, and that ALL the air is purged out.
- Ensure the Vent and Air-inlet piping is completely installed in accordance with this manual.



Allow primers/cements to cure for 8 hours prior to Start-up. If curing time is less than 8 hours, first perform Steps 2 through 6 of **Mandatory Pre-commissioning Procedure for Plastic Venting** in Section 4.0. Failure to follow these instructions can result in explosion, serious injury or death.

Initial Start-Up

Each time the power is turned on to the boiler, the control will go through a “de-air” sequence designed to purge air from the boiler. The de-air sequence takes 14 minutes to execute, during which time the circulators will be operating in a cyclical manner and the burner will not attempt to function. Once the de-air sequence has been executed at least once, subsequent de-air sequences can be bypassed by holding the “OK” button until “de-Air” is no longer displayed on the screen; see Section 17.0 for more details.

1. Turn on power to the Trinity Tx and turn-up the Thermostat(s). The boiler should run through a purge, and combustion should occur. (The control system has a built-in ignition retry, allowing the system to try at least three times, before locking-out.)
2. With the unit operating at full capacity, verify that the gas line pressure is 4-10.5 inches w.c. for Natural gas, and 9-13 inches w.c. for Propane (See Section 9.0 for details).
3. Using an appropriate Oxygen (O₂) or Carbon Dioxide (CO₂) analyzer, take a sample of the flue gas. The sample must fall within the acceptable ranges for CO₂ (see Section 9.0 for details).
4. Perform at least three ignitions in succession to ensure proper operation.
5. After the three successive ignitions, unplug the flame sensor and allow the unit to cycle again. The flame safety system will allow the unit to go through 5 ignition cycles before going to “Loc 1”. Once you have confirmed this behavior, reinstall the wire on the flame sensor, press the reset button and reconfirm proper ignition.



The flame sensor is located in the burner door on the left-hand side; it is the electrode **without** the spade terminal for the ground wire. DO NOT remove (or touch) the cable on the right-hand side while the power is on; this device is used for spark ignition and produces 20,000 Volts potential which would result in an EXTREME ELECTRICAL SHOCK possibly causing serious injury or death.



If the unit fails to light consistently and smoothly, contact NTI for technical assistance at 1-800-688-2575. Never allow the boiler to operate if the ignition or operation of the burner is rough or erratic. Failure to follow these instructions may result in serious injury or death.

Re-lighting Unit

1. Stop and read these instructions very carefully.
2. Set the thermostat to the lowest setting, and then turn off all power to the boiler.
3. This boiler does not have a pilot. It is equipped with an ignition device that automatically lights the burner. Do not try to light the burner by hand.
4. Turn the gas shutoff valve to the off position, and then remove the front cover.
5. Wait five (5) minutes to clear out any gas. Then check for gas, including near the floor. If you smell gas “Stop” and follow “B” above (see **FOR YOUR SAFETY, READ BEFORE OPERATING**). If you do not detect any gas proceed to the next step.
6. Turn the gas shutoff valve to the on position, wait an addition five (5) minutes and check for gas.
7. Replace the front cover.
8. Set the thermostat to the highest setting, and then turn on all power to the boiler.
9. Ignition sequence is automatic, combustion will occur after a brief fan purge. Ignition will retry 3 times.
10. If ignition does not occur, “Turn off the gas and electricity to the boiler” and contact a qualified service technician, or gas supplier.

Turning Off the Boiler

1. Set the thermostat to the lowest setting, and then turn off all power to the boiler.
2. Turn the gas shutoff valve to the off position.

9.0 GAS VALVE AND BURNER SET-UP



Set-up of the Trinity Tx gas valve must be performed by a licensed Gas Technician. Failure to perform the set-up correctly may result in incorrect operation, component failure, property damage, serious injury or death.

Gas Line Pressure

The boiler gas valve is equipped with a line pressure test port; see Figures 9-1 & 9-2. Use the following procedure to measure the gas line pressure to the boiler to ensure it falls within the range given in Table 9-1:

1. Turn the supply of gas to the boiler off.
2. Open the bleed screw of the line pressure test port approximately 1-1/2 turns. This port is directly connected to the gas line feeding the boiler. See Figures 9-1 & 9-2.
3. Force 1/4" ID tubing over the housing of the line pressure test port; install the other end of the tubing to an appropriate line pressure test gauge or manometer. Ensure both ends of the tubing make a tight connection.
4. Open the supply of gas to the boiler and check for gas leaks.
5. Observe the line pressure under static conditions and compare it to Table 9-1. The pressure will be greatest under static conditions.
6. With all other gas appliances in the application running, operate the burner to the maximum firing rate (See Table 9-2) and compare the observed line pressure with Table 9-1. The pressure will be lowest during the maximum flow of gas.
7. Adjust the gas line pressure to ensure the parameters in Table 9-1 are attained under all conditions (See NOTICE below). If possible adjust the line pressure to the "Nominal/Desired" value listed in Table 9-1, while the unit is operating at the maximum modulation rate, see Table 9-2.
8. Continue observing the gas line pressure until the completion of the combustion analyses, in case adjustments need to be made.
9. Complete pressure testing, and then return the bleed screw of the Line Pressure Test Port to the closed position.

NOTICE

The line pressure is a function of the gas supply and is affected solely by field provided parameters such as line size and regulator settings. Under no circumstances can the boiler gas valve influence or be used to adjust the gas line pressure.



Failure to close the bleed screw of the Line Pressure Test Port will cause a severe leakage of gas, resulting in a fire or explosion causing property damage, serious injury or death.

Table 9-1 Line Pressure and Combustion Parameters

Gas	Line Pressure (inches w.c.)			Model	CO ₂ (%)		CO (ppm) Max.
	Nominal/Desired	Min.	Max.		Min.	Max.	
Natural	7	4	10.5	All Tx models	9.0	9.8	175
Propane	11	8	13	All Tx models	10.0	10.8	175

Notes:
¹ Combustion calibration must only be performed with the burner operating at maximum modulation rate.
² Combustion values listed are for burner operation at maximum modulation rate; CO₂ and CO values will be lower at minimum modulation rate.
³ When tested at minimum modulation rate, the CO₂ must be 0.4-0.8% lower than CO₂ at maximum modulation rate.

Table 9-2 Minimum and Maximum Modulation Rates

Model	Appliance Number	Min. Modulation Rate (RPM)	Max. Modulation Rate (RPM)
Tx51	1	1380	5460
Tx81	2	1260	5700
Tx101	3	1260	5820
Tx151	4	1380	6540
Tx151C	5	1380	6540
Tx200	6	1020	5280
Tx200C	7	1020	5280



Carbon Monoxide - Never leave the unit operating while producing Carbon Monoxide (CO) concentrations in excess of 175ppm. Failure to follow this warning may result in serious injury or death.



Manifold Pressure - DO NOT adjust or measure the Manifold Pressure of the boiler. Correct manifold pressure is factory set. Field adjustment could result in improper burner operation resulting in fire, explosion, property damage or death.



Adjustments to the Throttle / Input Screw may only be made by a qualified gas technician, while using a calibrated combustion analyzer capable of measuring CO₂ and CO. Adjustments may only be performed if the gas line pressure is maintained above minimum levels throughout the duration of the test, see Table 9-1. Failure to follow these instructions may result in serious injury or death.

Throttle/Input Adjustment Screw

Decrease gas
Turn Clockwise



Increase gas
Turn Counter Clockwise



Adjustment

Throttle / Input Screw Adjustments - The boiler is equipped with a Throttle/Input Adjustment Screw, located on the Gas Valve. It is used to adjust the flow of gas leaving the gas valve entering the Venturi and then the combustion air stream. Turn the Throttle screw in (clockwise) to reduce the flow of gas, make combustion leaner, and reduce the concentration of CO₂ in the flue gases. Turn the Throttle screw out (counterclockwise) to increase the CO₂ level and flow of gas in the combustion air stream. Typical adjustment required is 0-1/2 full turns in or out from the factory setting. See Figures 9-1 & 9-2 for Throttle screw location and Table 9-1 for appropriate CO₂ levels.

Combustion Calibration - To calibrate burner operation, perform the following procedure using a calibrated combustion analyzer capable of measuring CO₂ and CO from Natural and Propane Gas burning boilers:

1. Operate the unit at the maximum modulation rate, see Table 9-2.
2. Ensure the gas line pressure is maintained within tolerance, see Table 9-1.
3. While at the maximum modulation rate, measure the CO₂ and CO; adjust as necessary, using the Throttle Screw, to be within the limits listed in Table 9-1.
4. Operate the unit at the minimum modulation rate (see Table 9-2). Ensure the combustion remains smooth and CO₂ and CO values are lower than the values obtained during maximum modulation, per notes in Table 9-1. If not, do not adjust further, contact NTI for assistance.

Flue Gas Analysis and Adjustment

Each Trinity Tx is factory set to operate with Natural Gas, for boilers field converted to operate with Propane Gas, a flue gas analysis and adjustment is mandatory. See Table 7-1 for the correct *Natural Gas to LP Conversion Kit*.



Failure to perform the flue gas analysis and adjustment detailed in this section may result in erratic and unreliable burner operation, leading to reduced efficiency, increased fuel consumption, reduced component life, heat exchanger combustion deposits, and general unsafe operation. Failure to follow these instructions may result in serious injury or death.

Analysis – Perform flue gas analysis, and adjust throttle/input screw as required until CO₂ and CO levels are within acceptable limits.

Figure 9-1 Gas Valve and Venturi Assembly (Tx51-151)

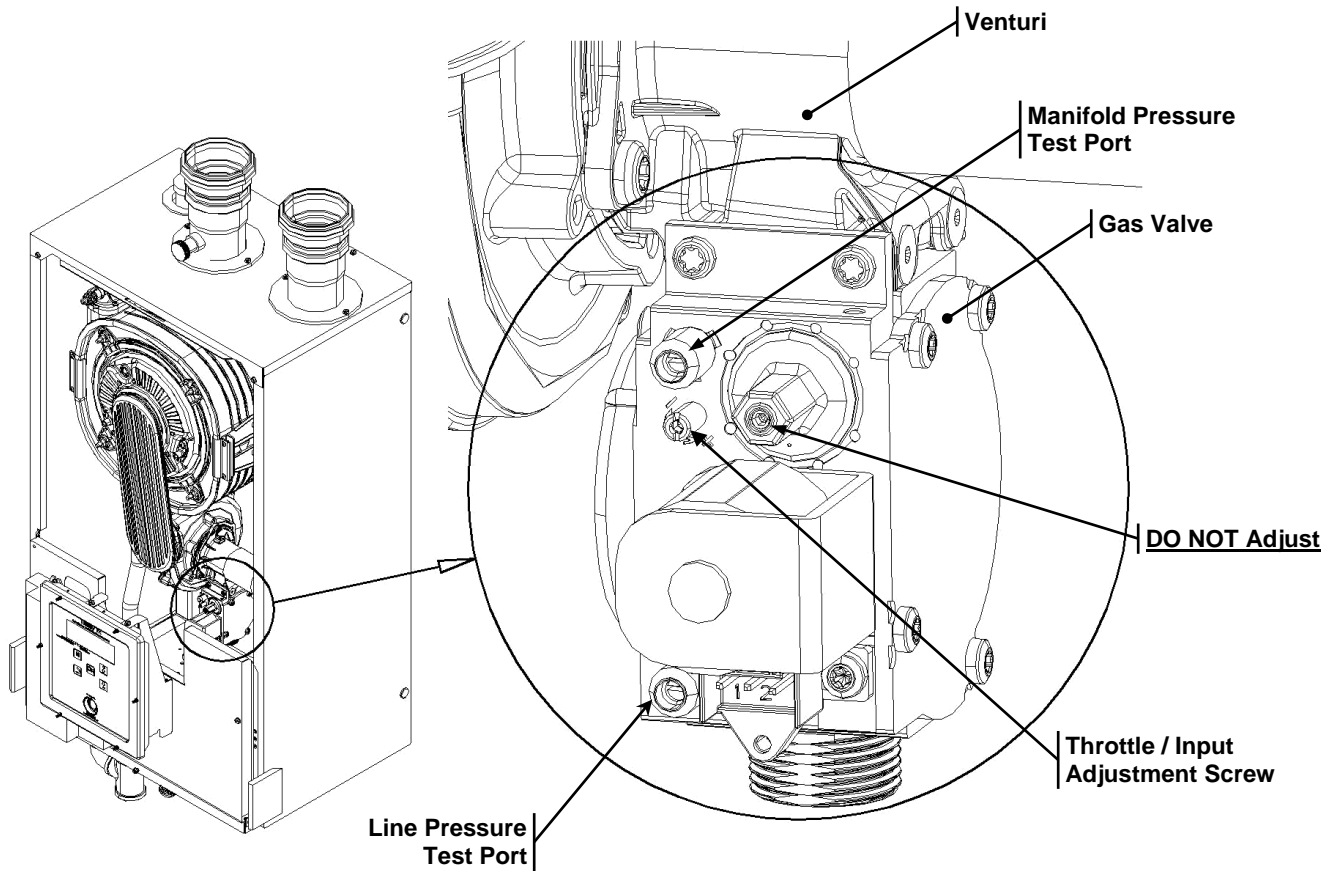
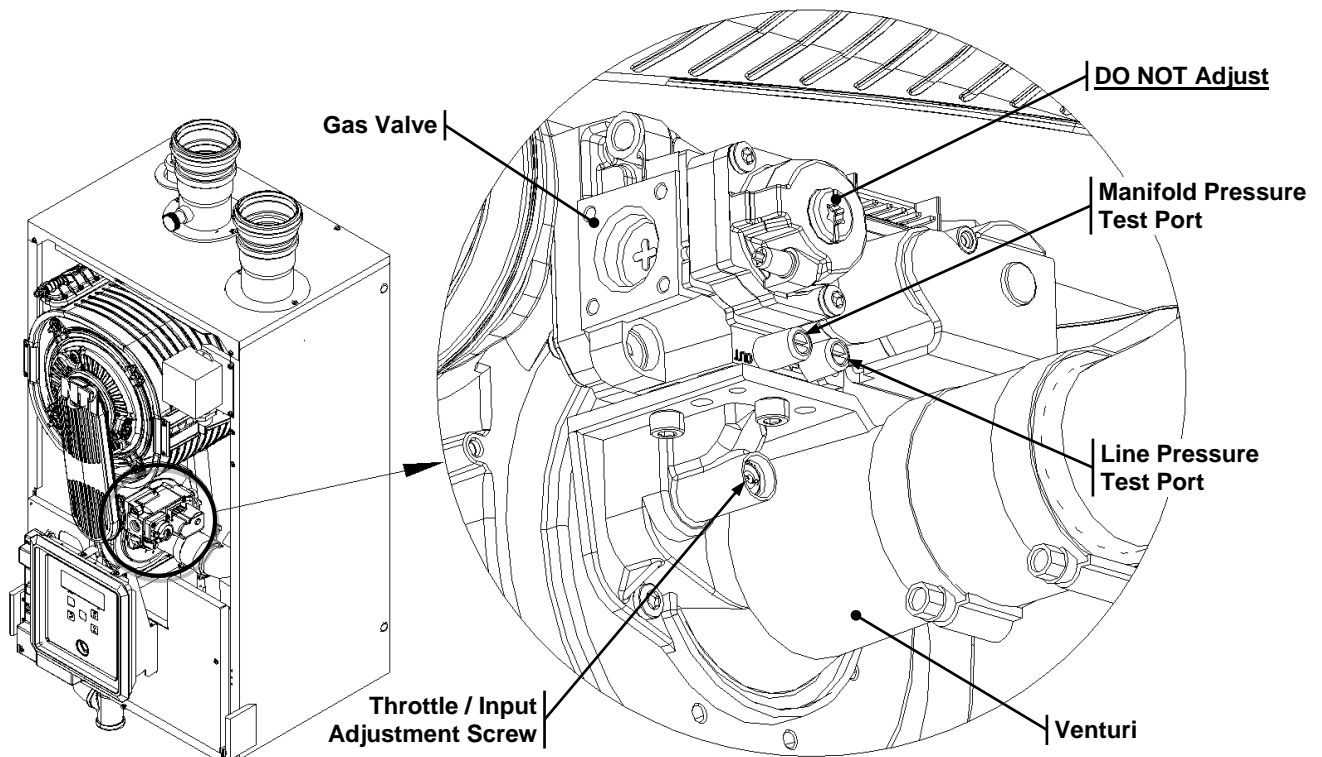


Figure 9-2 Gas Valve and Venturi Assembly (Tx200)



10.0 BOILER AND HEATING SYSTEM PIPING

The heat exchanger of the Trinity boiler is designed to attain the highest level of heat transfer in a compact design. To accomplish this, the heating water flows through a series of fin shaped tubes, designed to maximize the heat transfer area. To maintain the efficient and reliable operation of the heat exchanger, and to avoid heat exchanger failure, it is critical to ensure the rules and guidelines in this section are followed.



Failure to follow the instructions provided in this section will void the NTI warranty and may result in property damage, fire, serious injury or death.

Boiler System Preparation

Prior to connecting plumbing to the boiler, flush the entire system to ensure it is free of sediment, flux, solder, scale, debris or other impurities that may be harmful to the system and boiler. During the assembly of the heating system, it is important to keep the inside of the piping free of any debris including construction and copper dust, sand and dirt.

For retrofits, all system piping, including radiators, must be cleansed of build-up including sludge and scale. All systems, old and new, must be cleansed to remove flux, grease and carbon residue; NTI recommends cleaning the boiler system with “Ferrox F3 Cleaner”. For retrofit applications with heavy limescale and sludge deposits, a heavier duty cleaner may be required; NTI recommends the use of “Ferrox DS-40 System Cleaner”. For information on performing the cleaning, follow the instructions included with the applicable Ferrox Cleaner. See Table 10-1 for a list of recommended boiler system cleaning and treatment products.



Failure to rid the heating system of the contaminants listed above will void your NTI warranty and may result in premature heat exchanger failure and property damage.

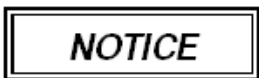
Table 10-1 Boiler System Cleansers and Corrosion Inhibitors

Application	Ferrox Product	NTI Part #	Description
Boiler Water Treatment	F1 Protector	83448	Corrosion inhibitor.
Cleanser for new and old systems	F3 Cleaner	83449	Removes flux, grease and carbon residue.
Cleanser for Retrofits	DS-40 System Cleaner	83450	Removes heavy limescale and sludge deposits.

Boiler Water

Pressure - Trinity boilers are intended solely for use in pressurized closed-loop heating systems operating with a minimum pressure of 12 PSI at the boiler outlet. To obtain the minimum system design pressure, follow the piping diagrams illustrated in this section.

Oxygen Elimination - This boiler may only be installed in a pressurized closed-loop heating system, free of air and other impurities. To avoid the presence of oxygen, ensure all of the air is removed from the system during commissioning via strategically placed, adequately sized air-removal devices; located throughout the heating system. See figures in this section detailing the location of the primary air-removal device required for the boiler. Immediately repair any leaks in the system plumbing to avoid the addition of make-up water; make-up water provides a source of oxygen and minerals that may lead to heat exchanger failure. Failure to follow these instructions will result in poor performance, unnecessary wear of system components and premature failure.



The Trinity Tx is not approved for operation in an “open system”, thus it cannot be used for direct potable water heating or process heating of any kind.

Water Chemistry – The installer of the Trinity Tx boiler must consider the condition of the water in the heating system. Ensure the condition of the boiler water falls within the following parameters:

- PH – between 7.5 and 9.5.
- Chloride – less than 125mg/l.
- Conductivity – 100 to 300µS/cm (at 25°C); [TDS 50 to 150ppm or Total Hardness 3 to 9grains/USgal.]
- Iron – less than 0.5mg/l.
- Copper – less than 0.1mg/l.

Treatment - Boiler water that falls outside of the conditions listed above must be treated with a corrosion inhibitor. For information on performing the treatment, follow the instructions included with the corrosion inhibitor. See Table 10-1 for a list of recommended boiler system cleaners and corrosion inhibitors.

IMPORTANT

To maintain protection, the level of corrosion inhibitor must be monitored periodically for the correct concentration.

Anti-freeze - For systems requiring freeze protection, use only inhibited propylene glycol, specially formulated for hydronic heating systems; use of other types of antifreeze may be harmful to the system and will void the warranty. Note: the use of glycol may reduce the usable output capacity of the boiler, thus requiring the unit to be “down-fired” by limiting the maximum operating capacity and/or the maximum water temperature. NTI recommends against exceeding 35% concentration of glycol.

CAUTION

DO NOT use inhibited glycol with non-compatible boiler inhibitors. Non-compatible inhibitors may counteract each other rendering them ineffective.

Near Boiler Plumbing (Central Heating)

Pressure Relief Valve - A Pressure Relief Valve is factory supplied with each unit. Trinity Tx boilers have a maximum allowable operating pressure of 50 PSI. The pressure relief valve must be installed at the boiler outlet and in the vertical position, as shown in Figure 10-2, with the drain pipe outlet exiting the side of the pressure relief valve horizontally and elbowing downward.

CAUTION

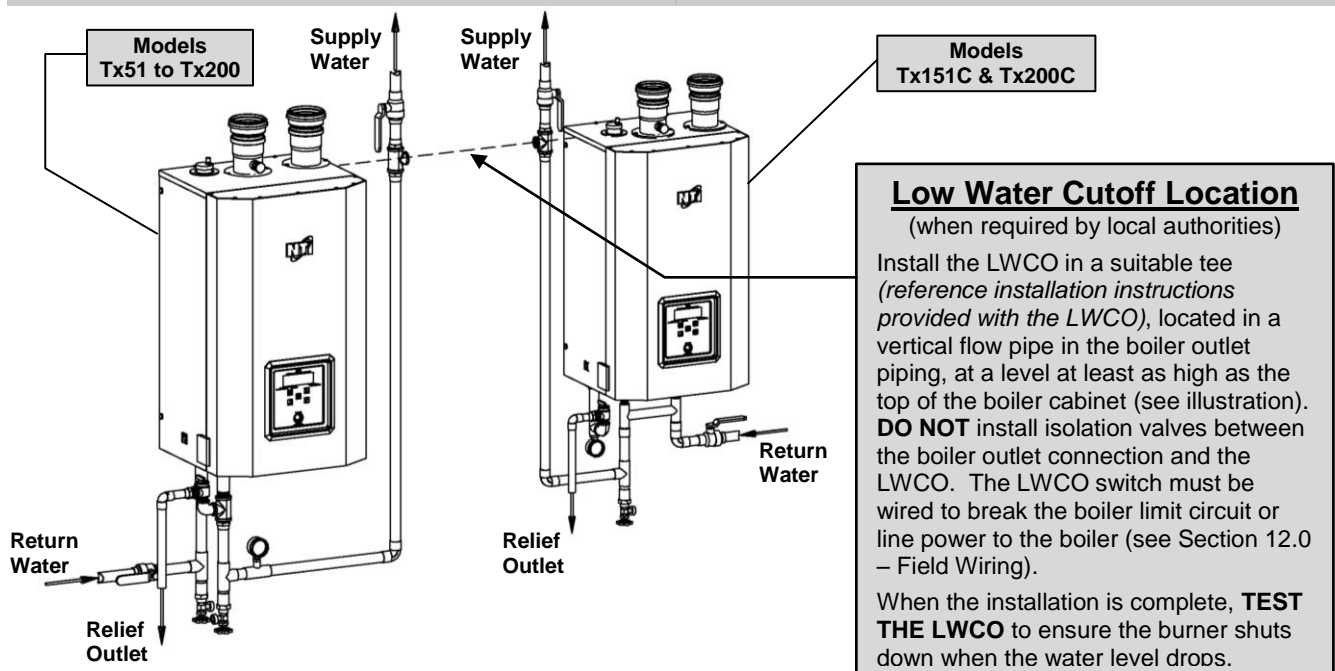
If installed in the incorrect orientation (horizontally with drain pipe out the bottom) the relief valve may not function properly resulting in property damage or personal injury.

WARNING

Ensure the discharge of the pressure relief is piped to a location where the steam or water will not cause property damage or serious injury.

Pressure Gauge – Trinity Tx units come with a factory supplied Pressure Gauge. The pressure gauge must be installed at the boiler outlet prior to any circulators. See Figure 10-2.

Low Water Cutoff (LWCO) – Trinity Tx boilers are provided with a factory installed Water Pressure Sensor. The sensor provides a reading of the boiler inlet water pressure on the display; in the event the pressure drops below 7 PSI, the control will go to a blocking error “FILL”, inhibiting burner operation. Where required by the Authority having jurisdiction, an external LWCO may have to be installed; see Figure 10-1.

Figure 10-1 Installation of Optional LWCO

Near Boiler Piping (Central Heating – CH)

Figure 10-2(a)

Tx51-200 (non-Combi) – Fitting Identification

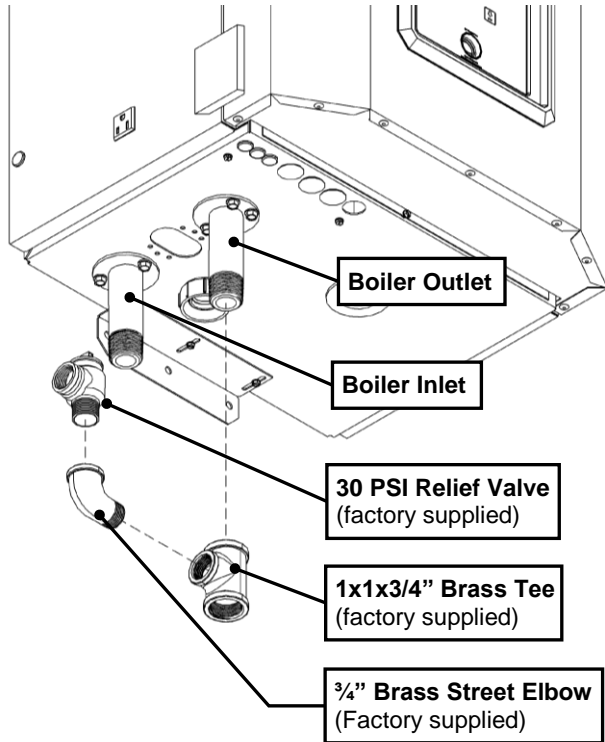


Figure 10-2(b)

Tx51-200 (non-Combi) – CH Piping

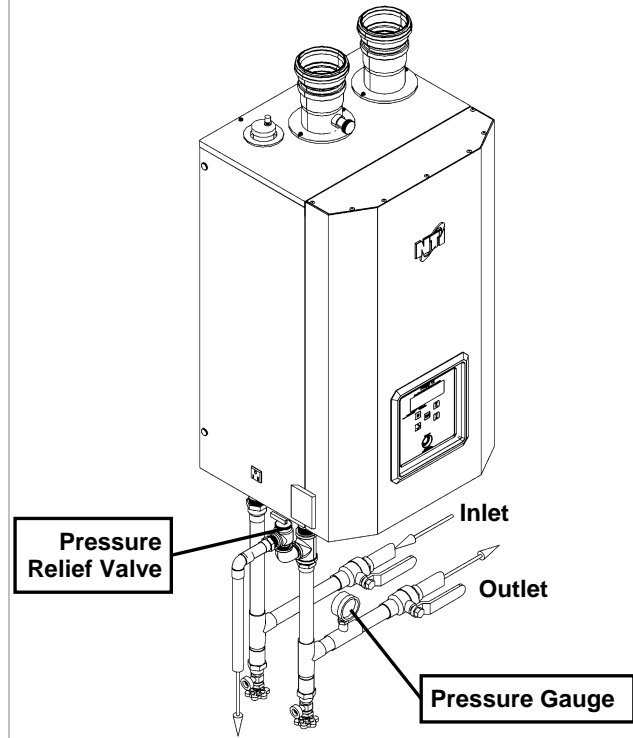


Figure 10-2(c)

Tx151C & Tx200C (Combi) – Fitting Identification

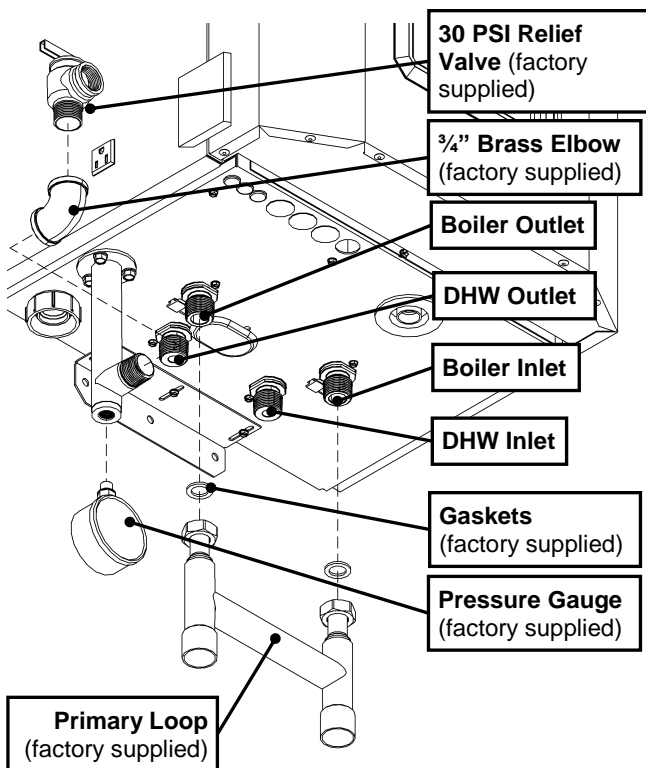
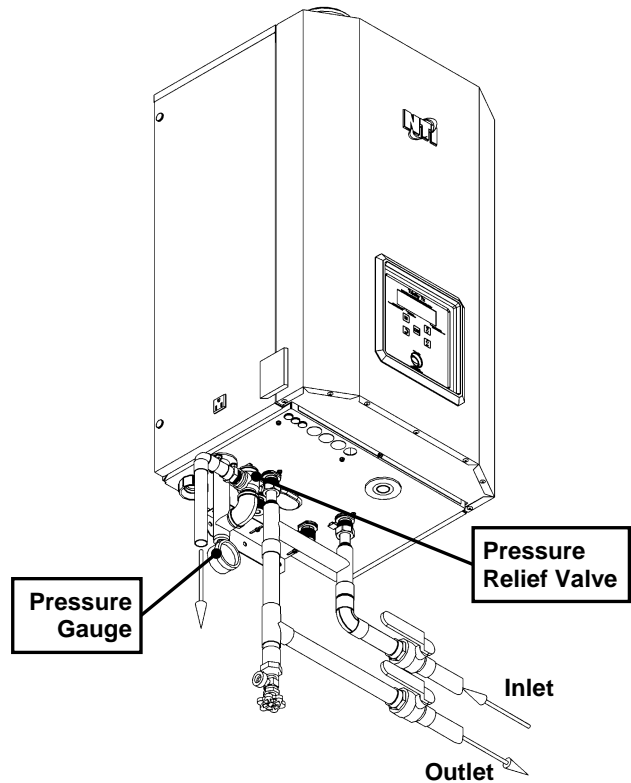


Figure 10-2(d)

Tx151C & Tx200C (Combi) – CH Piping



Boiler System Plumbing

The Trinity Tx boiler uses a low mass heat exchanger that requires a minimum rate of forced water circulation any time the burner is operating (See Table 10-2 for minimum flow rate requirements). To ensure the minimum flow rate is attained, NTI strongly recommends installing the boiler in a “Primary/Secondary” plumbing configuration utilizing “Closely Spaced Tees” or a “Low Loss Header” to de-couple the Boiler-Primary loop from the System-Secondary loop(s). See the examples of Primary/Secondary Loop configurations in Figures 10-4 through 10-7.

Table 10-2 Minimum Flow Rate Requirements

Model	Flow (US gpm)	Model	Flow (US gpm)
Tx51	1.9	Tx151	6
Tx81	3.3	Tx200	8
Tx101	4		

System Components – As a minimum, a properly installed system will include the following major components identified in Table 10-3.

Table 10-3 System Major Component Checklist

Factory Supplied	Field Supplied Components
<input type="checkbox"/> Pressure Relief Valve	<input type="checkbox"/> Boiler Loop Circulator (factory supplied with Tx-Combi models)
<input type="checkbox"/> Pressure Gauge	<input type="checkbox"/> DHW Loop Circulator (factory supplied with Tx-Combi models)
<input type="checkbox"/> Boiler Loop Circulator (Combi models only)	<input type="checkbox"/> Central Heat (CH) Loop Circulator(s)
<input type="checkbox"/> Primary Loop Manifold (Combi models only)	<input type="checkbox"/> Central Air Removal Devices (i.e. Micro Bubbler or Air-Scoop)
	<input type="checkbox"/> Pressure Regulating “Fill Valve”
	<input type="checkbox"/> Backflow Preventer
	<input type="checkbox"/> Expansion Tank

Circulating Pumps – Trinity Tx boilers are equipped with three 120VAC pump outputs:

1. DHW Pump - operates during a Domestic Hot Water demand (DHW).
2. CH Pump - operates during a Central Heat demand (CH).
3. Boiler Pump - operates during any demand

Ensure pumps are oriented as per the manufacturers’ instructions. Wiring of these circulators will depend on the system configuration selected; see Figures 10-4 through 10-7. For further wiring details see Section 12.0.

NOTICE

Circulators responsible for forcing the water flow through the boiler must be sized according to Table 10-4. Pump recommendations are based on a Primary/Secondary plumbing configuration (see Figures 10-4 and 10-5) using the listed pipe size in the Boiler-Primary Loop, with up to 50 equivalent feet of pipe length. The installer is responsible for sizing the boiler circulator(s) and piping for applications using non Primary/Secondary plumbing; Figure 10-3 provides Head Loss curves for this purpose.

WARNING

Failure to ensure the minimum water flow rate through the boiler when the burner is operating will result in “short-cycling”, reduced performance and operating efficiency, and may also cause overheating and premature failure which will void the warranty. Failure to follow instructions may result in fire, property damage, serious injury or death.

Table 10-4 Circulator and Pipe Size Requirements

Model	Temp. Rise (°F)	Boiler Flow Rate (GPM)	Boiler Head Loss (ft)	Minimum Pipe Size	Recommended Primary Loop Pump Size ⁽¹⁾			
					B&G	Grundfos	Taco	Armstrong
Tx51	35	2.4	7.2	¾"	NRF-22	UPS15-58	0015-MS	Astro 30 (2)
	25	3.3	12	¾"	NRF-25	UPS15-58	0015-MS	Astro 50 (3)
	20	4.1	16.6	¾"	NRF-36	UPS26-99	0015-MS	E7
Tx81	35	4.2	7.4	¾"	NRF-22	UPS15-58	0015-MS	Astro 30 (3)
	25	5.9	13.4	1"	NRF-36	UPS26-99	0015-MS	Astro 50 (3)
	20	7.4	20.4	1"	NRF-36	UPS26-99	0013-MS	E7
Tx101	35	5.2	8.2	1"	NRF-22	UPS15-58	0015-MS	Astro 30 (3)
	25	7.3	13.6	1"	NRF-36	UPS26-99	0013-MS	E7
	20	9.1	19.8	1"	NRF-36	UPS26-99	0013-MS	E7
Tx151 ²	35	7.7	11.2	1"	NRF-25	UPS26-99	0015-MS	Astro 50 (3)
	25	10.8	18.4	1-1/4"	NRF-36	UPS26-99	0013-MS	E7
	20	13.5	23.2	1-1/4"	PL-36	UPS26-99	2400-20	E8
Tx200 ²	35	10.2	10	1-1/4"	NRF-25	UPS26-99	0015-MS	Astro 50 (3)
	25	14.3	20	1-1/4"	NRF-36	UPS26-99	0013-MS	E9
	20	17.9	29.7	1-1/2"	PL-55 ³	UPS26-150 ³	2400-45 ³	E21 ³

Notes:

- ¹ Pump sizing based on Primary/Secondary plumbing configuration with specified minimum pipe diameter with up to 50' equivalent length.
- ² Models Tx151C and Tx200C incorporate the circulator responsible for generating flow through the boiler, therefore sizing the circulator for boiler flow rate is not necessary.
- ³ The amperage draw of circulator models PL-55, UPS26-150, 2400-45 and E21 exceed the switching capacity of the boiler pump contacts, an isolation relay must be utilized.

Figure 10-3(a) Tx51 & Tx81 Head Loss Curves

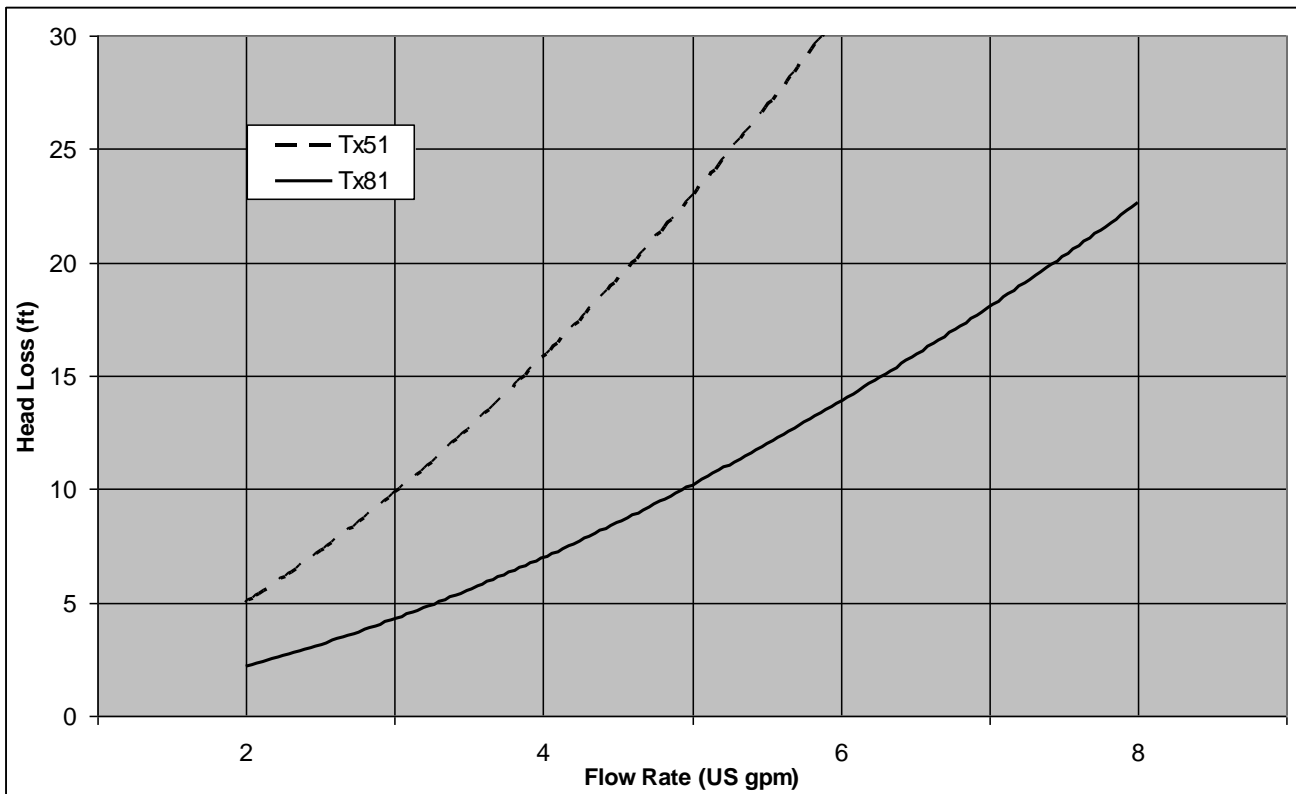
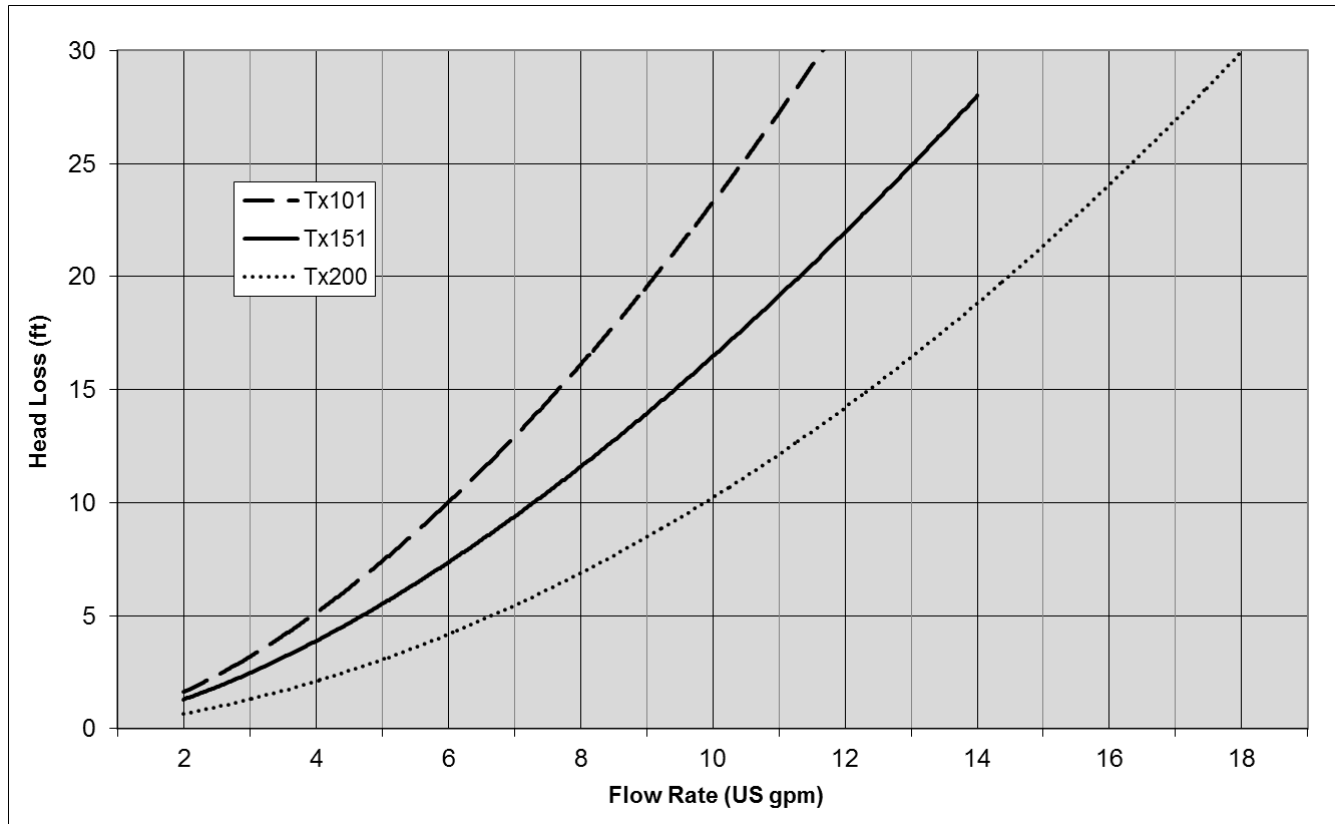


Figure 10-3(b) Tx101, Tx151 & Tx200 Head Loss Curves



Air Removal – The boiler and system plumbing layout must be configured to promote the removal of air from the water. Air vents and bleeders must be strategically placed throughout the system to aid in purging the air from the system during commissioning of the boiler. The system must also employ the use of a strategically located air removal device, such as an air-scoop or micro-bubbler, designed to remove the air from the water as it flows through the system.

NOTICE

Follow the installation instructions included with the air removal device when placing it in the system; air removal devices generally work better when placed higher in the system. Always locate air removal devices in areas of the system that have a guaranteed positive pressure, e.g., in close proximity to the water fill and expansion tank.

NOTICE

Trinity Tx boilers are equipped with an automatic air vent to aid in purging of air from the boiler during the initial fill. This air vent is not intended to be the primary air removal device in the system, and it should be closed following commissioning, to avoid subsequent water leakage onto the boiler.

Expansion Tank – The expansion tank must be sized in accordance with the water volume of the system as well as the firing rate of the appliance. It is important to locate the expansion tank, and make-up water fill, on the inlet side of any circulator in the system, as doing so will guarantee the lowest pressure in the system will be at least equal to the tank and make-up water pressure. See examples in Figures 10-4 through 10-7.

CAUTION

Ensure the expansion tank cannot become isolated from the boiler anytime the system is operating. Failure to follow these instructions may result in discharge of the Pressure Relief Valve may result in property damage or personal injury.

NOTICE

The installation of flow checks, motorized valves or other shutoff devices (other than for the purpose of servicing) are not permitted between the location of the "Closely Spaced Tees" and the expansion tank; see Figures 10-4 through 10-7.

Indirect Fired Water Heater – When installed as per Figure 10-5, the indirect fired water heater is in series with the boiler during a demand for DHW. Therefore, its head loss, along with the head loss of the boiler and associated piping, must be considered when sizing the circulator.

Figures 10-4 through 10-7 are examples of plumbing configurations using either single or multi system circulators.

Figure 10-4: Single System Circulator Configuration (non-Combi) - Used in applications zoned with “Zone Valves”. During a demand for Central Heat, the boiler energizes CH Pump and Boiler Pump. The CH Pump must be sized to provide adequate circulation throughout the heating system. During a Domestic Hot Water (DHW) demand, the boiler de-energizes the CH Pump and energizes the DHW Pump and Boiler Pump. With this configuration the Boiler Pump is the only circulator that causes flow through the boiler and it must be sized in accordance with Table 10-4.

NOTICE

The piping configuration described above requires the Central Heating system and DHW system to be de-coupled from the “Primary Loop” via closely spaced tees (Figure 10-4).

Figure 10-5: Multiple System Circulator Configuration (non-Combi) - Used in applications with “Zone Circulators”. This configuration requires the installation of a check valve located at each circulator. During a Central Heat demand the boiler energizes CH Pump. During a Domestic Hot Water (DHW) demand, the boiler de-energizes CH Pump and energizes DHW Pump. In this configuration both CH Pump and DHW Pump are responsible for water flow through the boiler and must be sized in accordance with Table 10-4.

Figure 10-6: Single System Circulator Configuration (Combi) - Used in applications zoned with “Zone Valves”. During a demand for Central Heat, the boiler energizes CH Pump. The CH Pump must be sized to provide adequate circulation throughout the heating system. During a Domestic Hot Water (DHW) demand, the boiler de-energizes the CH Pump. The internal circulator of the Tx-Combi always provides the boiler water circulation.

Figure 10-7: Multiple System Circulator Configuration (Combi) - Used in applications with “Zone Circulators”. This configuration requires the installation of a check valve located at each of the zone circulators. The internal circulator of the Tx-Combi always provides the boiler water circulation.

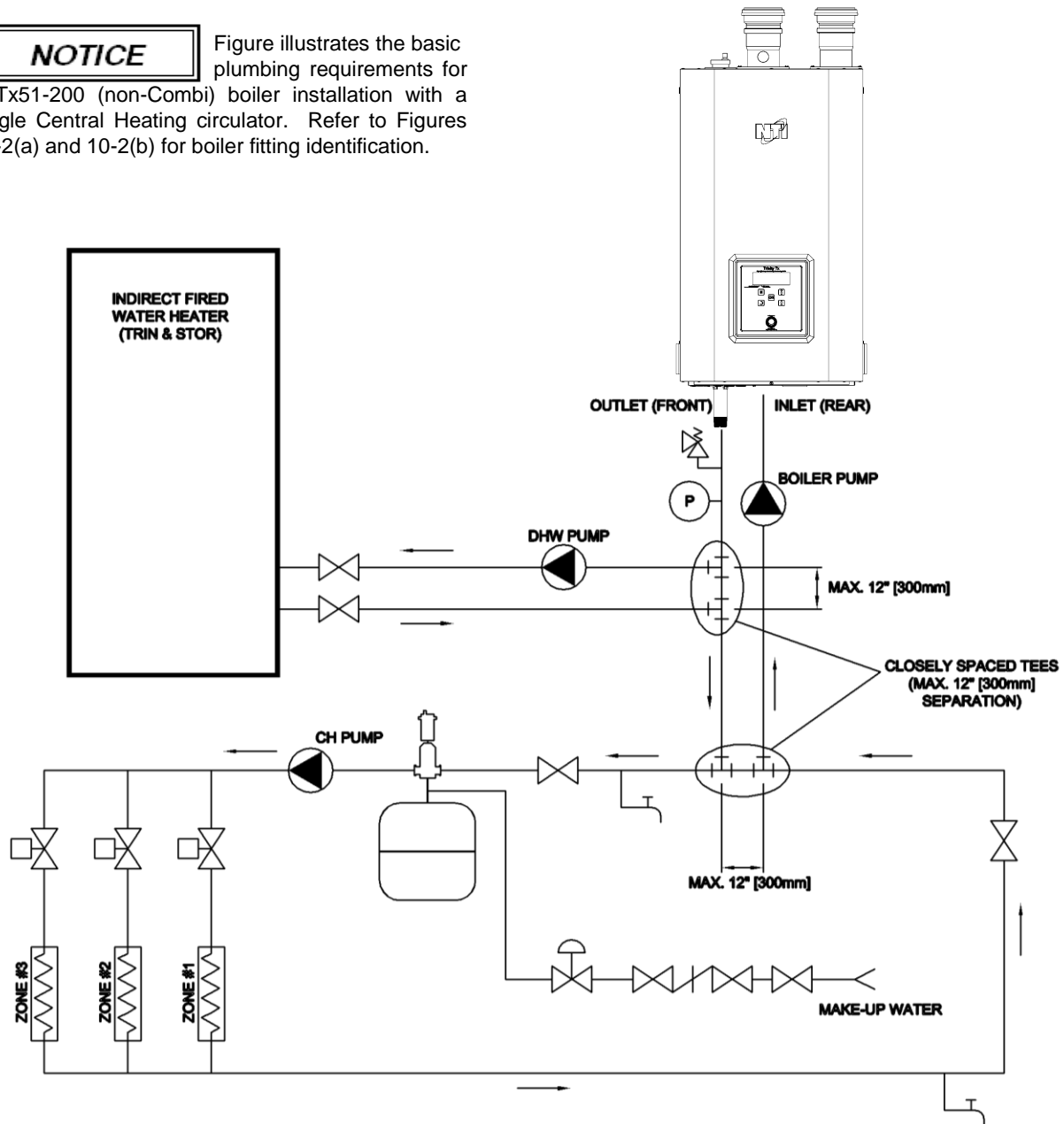
NOTICE

Figures 10-4 through 10-7 illustrate typical piping systems. These piping schematics do not illustrate all of the required concepts and components required to have a proper installation. Concepts not shown include: prevention of thermal-siphoning (heat traps), isolation valves, drain and purge valves, etc. It is the responsibility of the installing contractor and system designer to determine which system best meets the need of the installation and to consider all aspects of a proper system design. Contractor modifications to these instructions may be required, based upon existing piping and system design.

Figure 10-4 Tx51-200 Primary-Secondary Plumbing (non-Combi)
(Single System Circulator Configuration)

NOTICE

Figure illustrates the basic plumbing requirements for a Tx51-200 (non-Combi) boiler installation with a single Central Heating circulator. Refer to Figures 10-2(a) and 10-2(b) for boiler fitting identification.



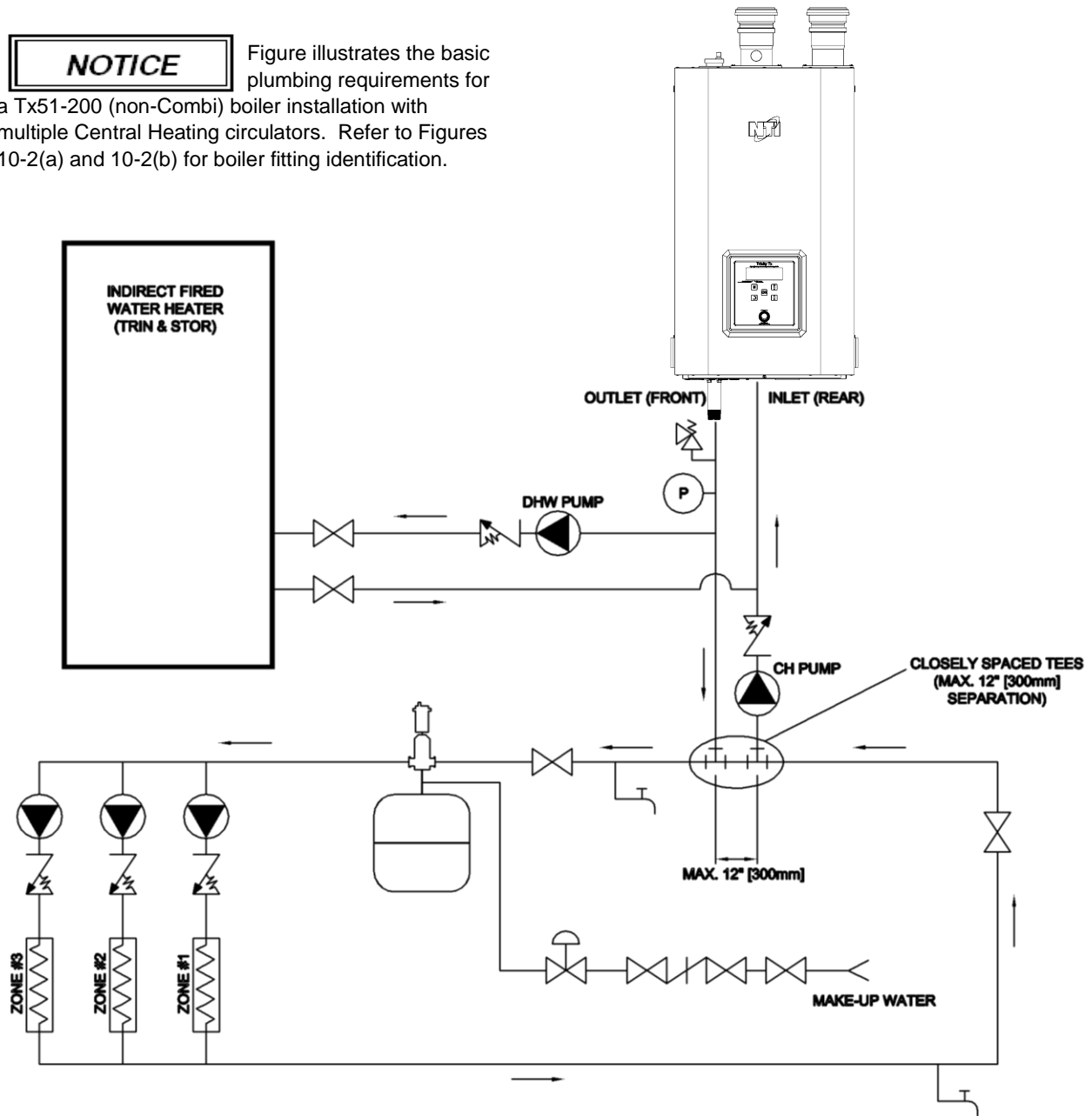
LEGEND

SYMBOL	DESCRIPTION	SYMBOL	DESCRIPTION	SYMBOL	DESCRIPTION
	ISOLATION VALVE		BACKFLOW PREVENTOR		AIR SEPARATOR
	ZONE VALVE		PRESSURE RELIEF VALVE		PUMP
	ZONE LOAD		PRESSURE REGULATING VALVE		FLOW DIRECTION
	AIR VENT		DRAIN VALVE		EXPANSION TANK
	PRESSURE GAUGE				

**Figure 10-5 Tx51-200 Primary-Secondary Plumbing (non-Combi)
(Multiple System Circulator Configuration)**

NOTICE

Figure illustrates the basic plumbing requirements for a Tx51-200 (non-Combi) boiler installation with multiple Central Heating circulators. Refer to Figures 10-2(a) and 10-2(b) for boiler fitting identification.



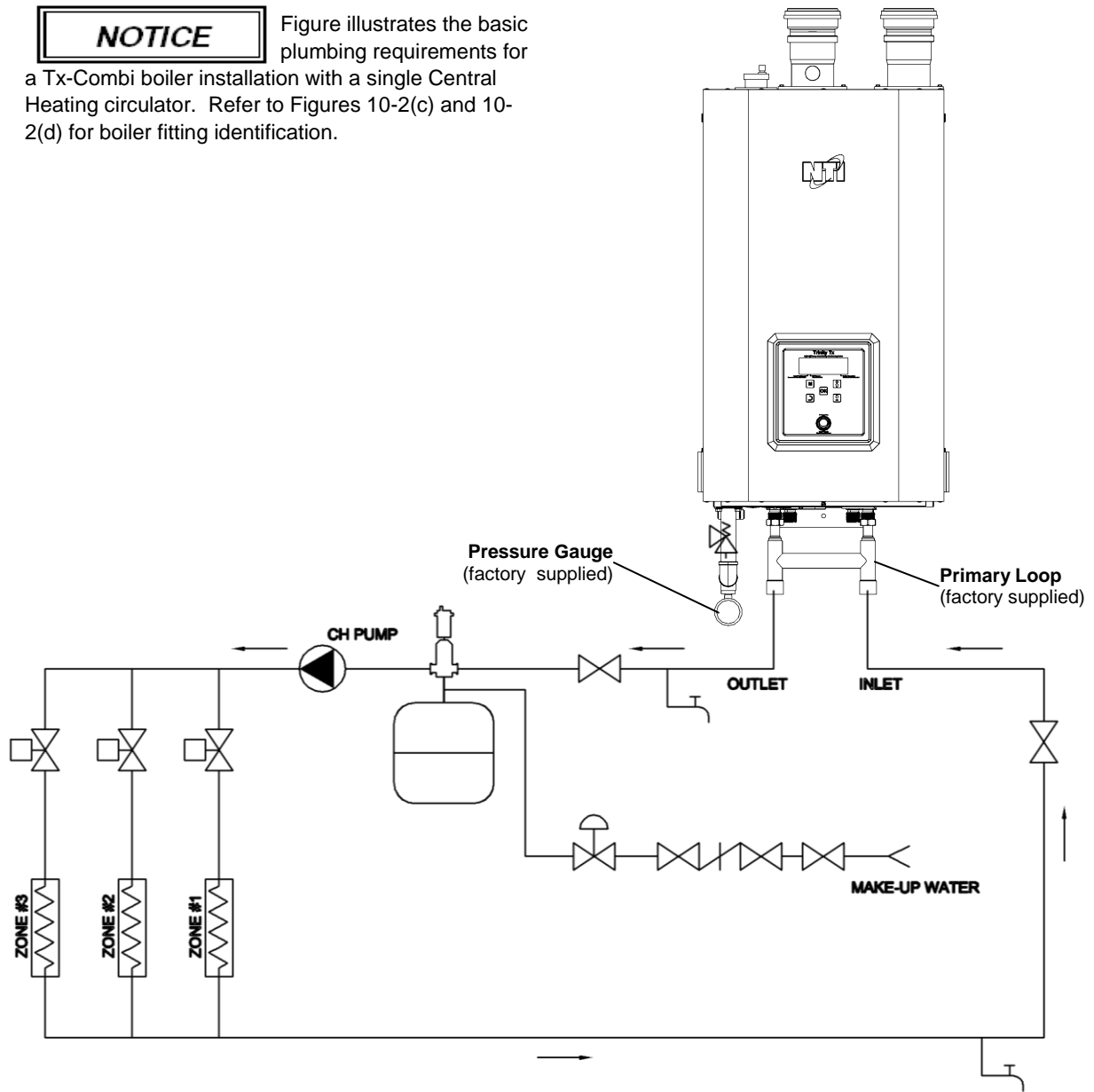
LEGEND

SYMBOL	DESCRIPTION	SYMBOL	DESCRIPTION	SYMBOL	DESCRIPTION
	ISOLATION VALVE		BACKFLOW PREVENTOR		AIR SEPARATOR
	CHECK VALVE		PRESSURE RELIEF VALVE		PUMP
	ZONE LOAD		PRESSURE REGULATING VALVE		FLOW DIRECTION
	AIR VENT		DRAIN VALVE		EXPANSION TANK
	PRESSURE GAUGE				

**Figure 10-6 Tx151C & Tx200C Primary-Secondary Plumbing (Combi)
(Single System Circulator Configuration)**

NOTICE

Figure illustrates the basic plumbing requirements for a Tx-Combi boiler installation with a single Central Heating circulator. Refer to Figures 10-2(c) and 10-2(d) for boiler fitting identification.

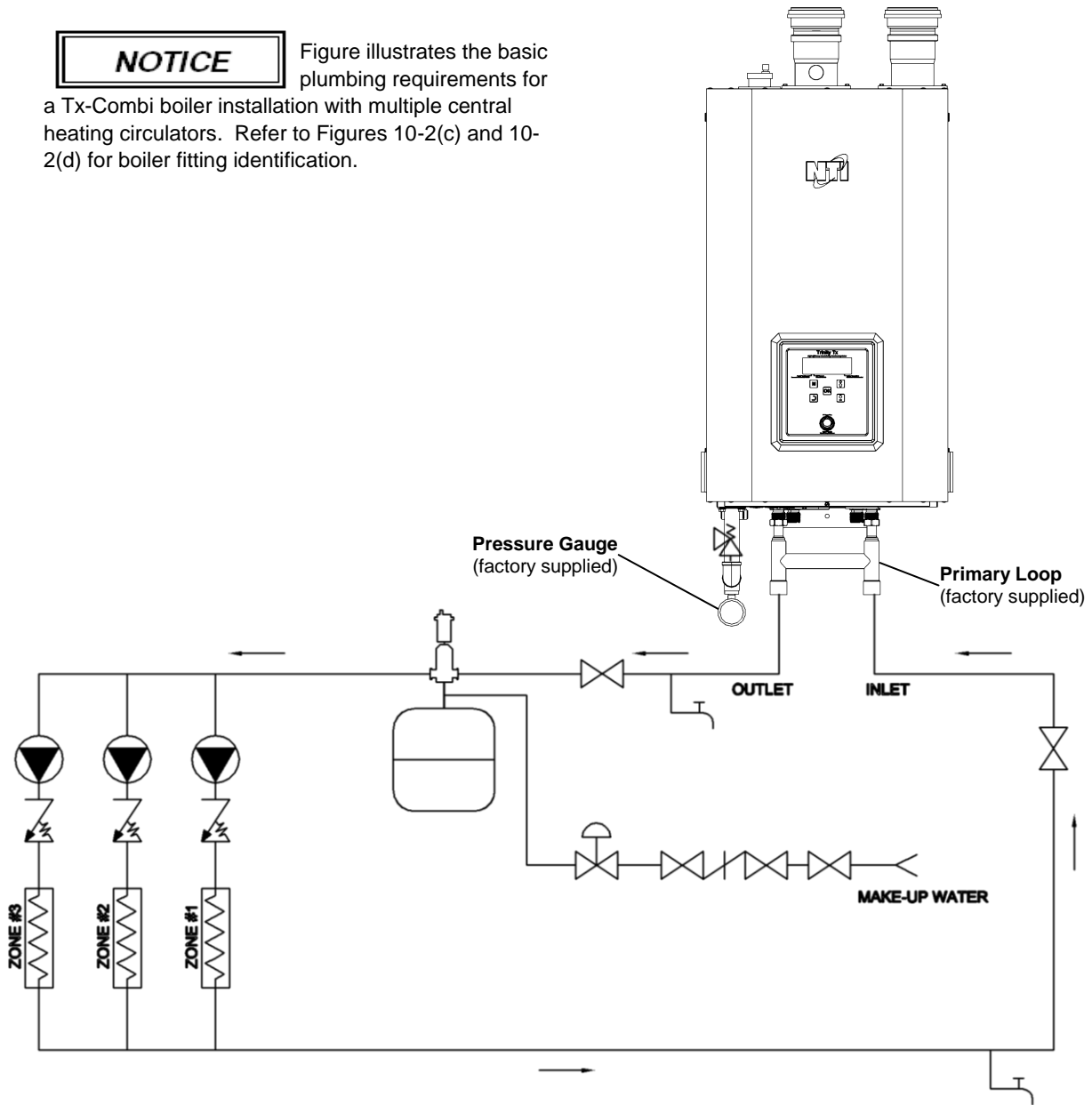


LEGEND					
SYMBOL	DESCRIPTION	SYMBOL	DESCRIPTION	SYMBOL	DESCRIPTION
	ISOLATION VALVE		BACKFLOW PREVENTOR		AIR SEPARATOR
	ZONE VALVE		PRESSURE RELIEF VALVE		PUMP
	ZONE LOAD		PRESSURE REGULATING VALVE		FLOW DIRECTION
	AIR VENT		DRAIN VALVE		EXPANSION TANK

Figure 10-7 Tx151C & Tx200C Primary-Secondary Plumbing (Combi)
(Multiple System Circulator Configuration)

NOTICE

Figure illustrates the basic plumbing requirements for a Tx-Combi boiler installation with multiple central heating circulators. Refer to Figures 10-2(c) and 10-2(d) for boiler fitting identification.



LEGEND					
SYMBOL	DESCRIPTION	SYMBOL	DESCRIPTION	SYMBOL	DESCRIPTION
	ISOLATION VALVE		BACKFLOW PREVENTOR		AIR SEPARATOR
	CHECK VALVE		PRESSURE RELIEF VALVE		PUMP
	ZONE LOAD		PRESSURE REGULATING VALVE		FLOW DIRECTION
	AIR VENT		DRAIN VALVE		EXPANSION TANK

11.0 DOMESTIC HOT WATER (DHW) PIPING – Tx151C & Tx200C (COMBI)

The Trinity Tx boiler comes in two versions; non-Combi (Tx51-200) and Combi (Tx151C & Tx200C). Both versions are designed to provide Central Heating and Domestic Hot Water (DHW) heating. To provide DHW heating, the non-Combi version must be installed in combination with an Indirect Fired Hot Water Heater, as in Figures 10-4 and 10-5. The Combi version incorporates a DHW heat exchanger (Braze Plate) and the controls necessary to heat DHW without requiring the addition of an Indirect Fired Hot Water Heater.

The Tx-Combi is designed for installations where there is a limited DHW demand, such as smaller apartments and condos. In applications where there is a greater DHW demand NTI recommends the Tx51-200 (non-Combi) installed with an Indirect Fired Hot Water Heater (Figures 10-4 & 10-5), or a Tx151C or Tx200C (Combi) installed with a DHW storage tank (Figure 11-2).

Hard Water – To prevent the formation of scale on the inside of the braze plate heat exchanger and other components in the domestic hot water system, water with hardness higher than 50 ppm Calcium Carbonate must be treated with a “Water Softener” prior to entering the appliance. Plugging of the domestic system by scaling or accumulation of dirt is not the responsibility of NY Thermal Inc., and suitable steps shall be taken to avoid it.

Cleaning – Braze plate heat exchangers operate with high turbulence flow, even at low flow rates. This high turbulence keeps small particles in suspension minimizing fouling and scaling. However, in some applications the fouling tendency can be very high, e.g. when using extremely hard water at high temperatures. In such cases it is always possible to clean the exchanger by circulating a cleaning liquid. Use a tank with weak acid, 5% phosphoric acid or, if the exchanger is frequently cleaned, 5% oxalic acid. Pump the cleaning liquid through the exchanger. For optimum cleaning, the cleaning solution flow rate should be a minimum of 1.5 times the normal flow rate, preferably in a back-flush mode. After use, do not forget to rinse the heat exchanger carefully with clean water. A solution of 1-2% sodium hydroxide (NaOH) or sodium bicarbonate (NaHCO₃) before the last rinse ensures that all acid is neutralized. Clean at regular intervals.

DHW Description of Operation

The Tx-Combi heats domestic hot water on demand, indirectly, using an internal braze plate heat exchanger. An internal flow sensor detects potable water flow; when in excess of 0.3gpm the controller operates in DHW mode, whereby the potable water is heated to the “DHW Setpoint” (Installer Menu setting 2-07). Set “DHW Setpoint” to the desired hot water temperature; to avoid the risk of scalding a Thermostatic Mixing Valve must be installed, see Figure 11-1.

NOTICE

Code requirements may require the maximum setting of the Thermostatic Mixing Valve to be fixed at 120°F or lower, see “Thermostatic Mixing Valve” below and the instructions included with the valve.

WARNING

Scald Hazard - Hotter water increases the risk of scald injury. There is a hot water scald potential if a thermostatic mixing valve is not used or is set too high. Be sure to follow the adjustment instructions provided with the thermostatic mixing valve. Failure to follow these instructions may result in serious injury or death.

Combi DHW Plumbing & Set-up

DHW Inlet & Outlet Connections – The Tx-Combi has two potable water connections, Inlet & Outlet, which exit the bottom of the unit, nearest the back. The Inlet fitting is on the right and the Outlet fitting is on the left, see Figure 11-1.

DHW Filter – Install the factory supplied Y-strainer prior to the inlet fitting, as illustrated in Figure 11-1. The serviceable Y-strainer has a 100 micron filter and will protect the internals from damage caused by dirt and debris.

Check Valve – The installation of a check valve in the hot water line is recommend to prevent expansion devises downstream from back flowing when the water pressure drops during cold water draws. Failure to prevent the backflow will cause a momentary forward flow of water through the flow sensor when the cold-water draw has ended and the water pressure increases. This forward flow of water will momentarily activate DHW mode.

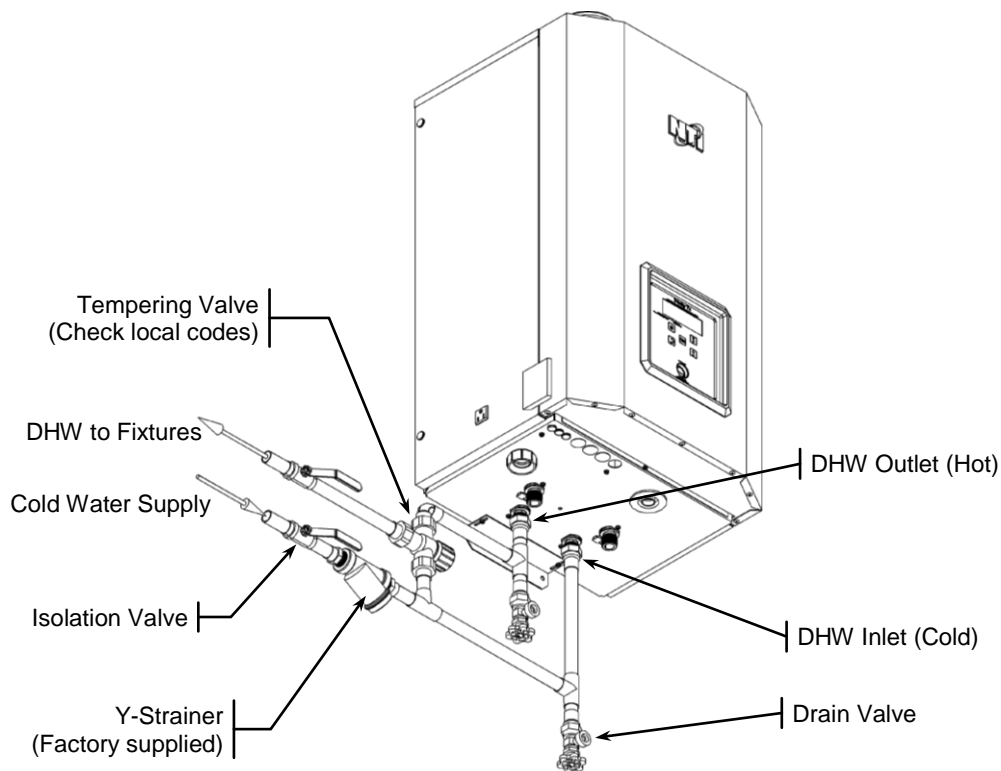
Throttling Valve – Use one of the isolation valves, installed hot water line, as a throttle valve to regulate the maximum hot water flow rate. The Tx-Combi has a limited firing rate (151MBH for model Tx151C, 199MBH for model Tx200C); therefore excessive flow rates will result in cooler hot water temperatures.

Drain and Isolation Valves – Install drain and isolation valves on the cold water inlet and hot water outlet lines, as shown in Figures 11-1 and 11-2, to allow for servicing of the internal brazed plate heat exchanger and other potable water components. It will be necessary to flush or clean the brazed plate heat exchanger, if it is exposed to hard water.

Instantaneous DHW (without Storage Tank)

The Tx-Combi will provide domestic hot water continuously when flow is present. This method is the most efficient means of heating water by allowing the boiler to operate at a lower return water temperature, thus increasing combustion efficiency, and minimizing standby losses. See Figure 11-1 for installation details.

Figure 11-1 Near Boiler DHW Piping (Tx151C & Tx200C)



DHW Limitations – Since the Tx-Combi produces domestic hot water instantaneously; there are inherent limitations of the system:

- **NO STORAGE** – Overall flow through the fixtures must be regulated/limited so not to exceed the ability of the boiler to heat the water. Exceeding the flow rate indicated in Table 11-1 or 11-2 will result in cooler than desired hot water.
- **COLD START OPERATION** – Normally the boiler only fires the burner when there is hot water flow, therefore you can expect an added delay in the delivery of hot water, due to the time associated with igniting the burner and heating the water. Also, if the flow at the fixture is momentarily turned off, then turned back on again, the burner will follow suite. This will cause cold unheated water to pass through the unit, and advance through the domestic plumbing between the previously heated (hot) water, and the newly heated (hot) water. This can be mistaken for an inability to adequately heat the water and is often referred to as “Cold Water Sandwich”, since there is cold water “sandwiched” between hot water. Turning the “Preheat Mode” ON will improve the delivery of domestic hot water and limit the “Cold Water Sandwich” effect.

Preheat Mode – For improved domestic hot water comfort, the Tx-Combi incorporates a “Preheat Mode” feature (Installer Menu setting 2-10). When set to ON the boiler control will function to keep the DHW preheated to limit the wait time associated with a tankless hot water system, and to help avoid the “Cold Water Sandwich”. In systems where a storage tank is used (See Figure 11-2), Preheat Mode should be disabled, e.g. set to OFF.

Procedure for Setting up Domestic Hot Water – If the Tx-Combi is being installed in an application that uses municipal water, often the pressure is high enough to generate flow rates at the faucets that will exceed the appliances capacity to heat it. See the following tables to determine the maximum flow rate that can be heated at given inlet and outlet water temperatures.

Table 11-1 Tx151C DHW Maximum Flow Rates (USgpm)

		Inlet Water Temperature (deg. F)						
		40	45	50	55	60	65	70
Outlet Water (F)	110	3.9	4.2	4.5	4.9	5.4	6.0	6.7
	115	3.6	3.9	4.2	4.5	4.9	5.4	6.0
	120	3.4	3.6	3.9	4.2	4.5	4.9	5.4
	125	3.2	3.4	3.6	3.9	4.2	4.5	4.9
	130	3.0	3.2	3.4	3.6	3.9	4.2	4.5
	135	2.8	3.0	3.2	3.4	3.6	3.9	4.2
	140	2.7	2.8	3.0	3.2	3.4	3.6	3.9

Table 11-2 Tx200C DHW Maximum Flow Rates (USgpm)

		Inlet Water Temperature (deg. F)						
		40	45	50	55	60	65	70
Outlet Water (F)	110	5.1	5.5	6.0	6.5	7.2	8.0	9.0
	115	4.8	5.1	5.5	6.0	6.5	7.2	8.0
	120	4.5	4.8	5.1	5.5	6.0	6.5	7.2
	125	4.2	4.5	4.8	5.1	5.5	6.0	6.5
	130	4.0	4.2	4.5	4.8	5.1	5.5	6.0
	135	3.8	4.0	4.2	4.5	4.8	5.1	5.5
	140	3.6	3.8	4.0	4.2	4.5	4.8	5.1

To avoid having too much flow at the faucets use an isolation valve to limit the overall flow of domestic hot water. Follow these instructions to achieve the best delivery of DHW:

- Open throttle/isolation valves fully.
- Turn the dial on the mixing valve to the desired setting (recommend 120°F max.).
- Create the maximum amount of DHW flow that is likely to occur on a regular basis. (Usually tub faucet, or choose two other faucets)
- Observe the DHW temperature indicated on the Tx display (User Menu 1-03), if less than the desired temperature, throttle an isolation valve until the desired temperature is achieved.

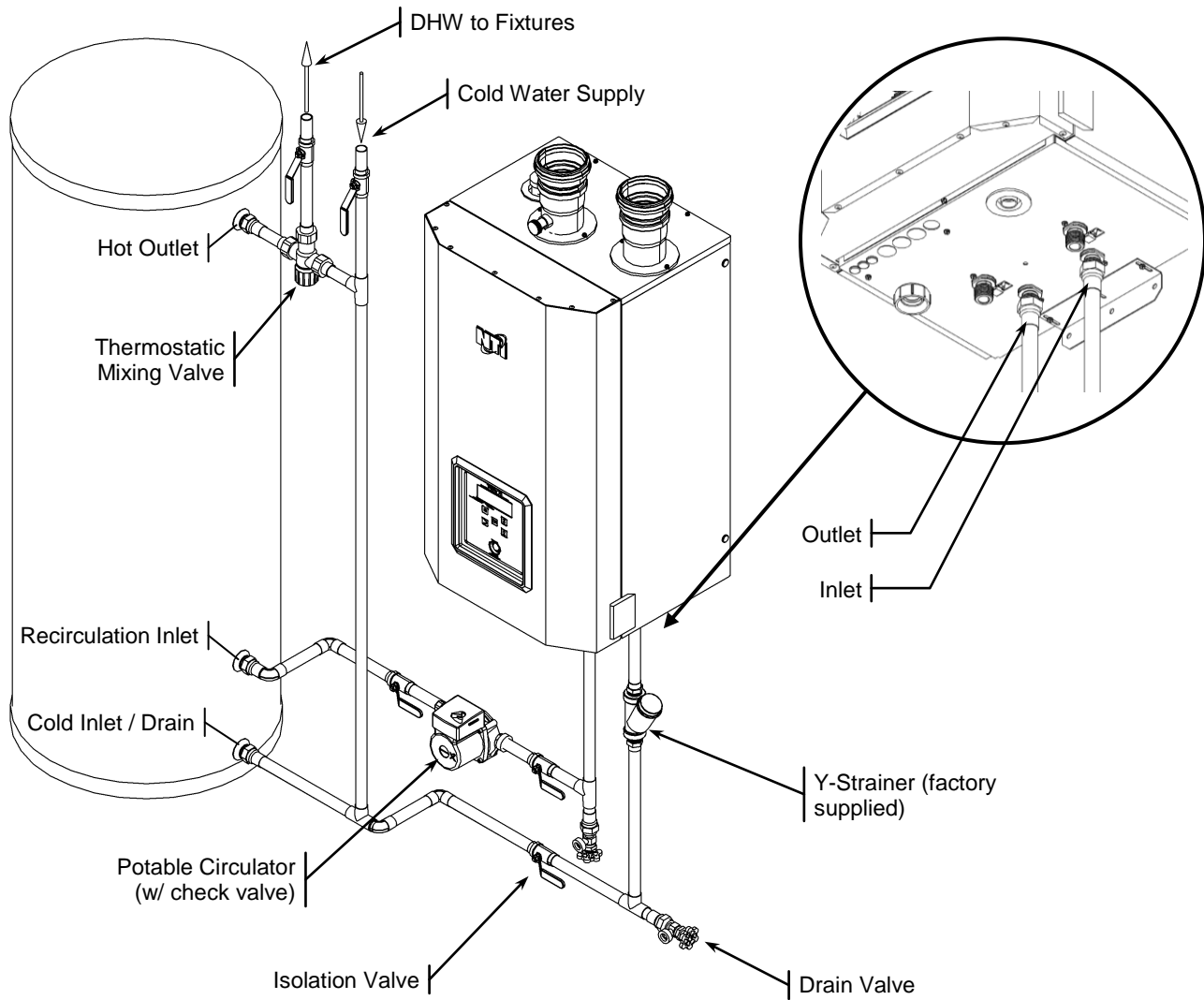
NOTICE

If the flow rates listed in Table 11-1 or 11-2 are not high enough for the application, install a storage tank with re-circulating loop as per below and Figure 11-2.

Tx-Combi w/ DHW Storage Tank

To completely avoid the DHW limitations inherent with on demand hot water heating, install a DHW storage tank as per Figure 11-2. When the tank temperature is insufficient, a Thermostat located within the storage tank completes a 120VAC circuit to operate a Potable (bronze or Stainless Steel) Circulator pump. The pump circulates water from the bottom of the storage tank (typical location of a drain fitting) to the DHW inlet fitting of the Tx-Combi. The internal DHW flow sensor senses the water flow and triggers a DHW demand; heated water flows from the Tx-Combi and enters the Recirculation Inlet fitting of the storage tank.

Figure 11-2 DHW Piping with Optional Storage Tank (Tx151C & Tx200C)



NOTICE

When using a Storage Tank, set Preheat Mode (Installer Menu setting 2-10) to OFF to prevent the boiler from redundantly maintaining DHW temperature.

12.0 FIELD WIRING

All wiring must be in accordance with the Canadian Electrical code, CSA C22.2 and any applicable local codes. Ensure that the wiring complies with this manual. The boiler must be electrically grounded in accordance with the National Electrical Code ANSI/NFPA 70, local codes, and/or the Canadian Electrical Code CSA C22.1.



WARNING

Avoid Shocks - To Avoid Electrical Shock, turn off electrical power to the boiler prior to opening any electrical box within the unit. Ensure the power remains off while any wiring connections are being made. Failure to follow these instructions may result in component failure, serious injury or death.



CAUTION

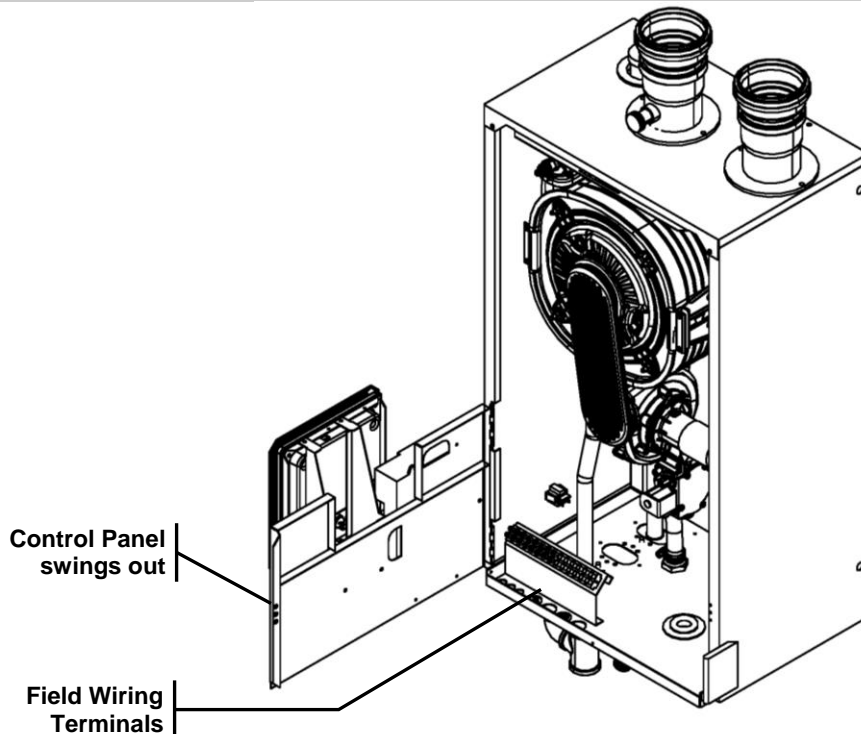
Field Wiring - Wire grommets must be used to secure wiring and prevent chafing when passing wiring through the cabinet wall. Failure to follow instructions may damage unit.

Wiring Connections

Electrical rating for the Trinity Tx is 120V/1 Phase/60 Hz/12A. All wiring connections to the Trinity Tx are made at the junction box, located behind the control panel at the bottom of the boiler cabinet, see Figure 12-1. Field wiring enters the cabinet through holes located on the bottom (underside) of the boiler cabinet; use suitable strain-relief grommets to protect the wires. Field wiring connections are to be installed in accordance with instructions provided in Figure 12-2 and Table 12-1.

Fuse (120VAC) - The Trinity Tx is equipped with a 3.15 Amp fuse located at “F1” on the boiler controller at the top left; the fuse protects all 120VAC circuits within the boiler, as well as any circulators connected to it. A spare fuse is located directly below the operating fuse in an open holder.

Figure 12-1 Wiring Terminal Access



WARNING

Wire Protection - When passing any wiring through the cabinet of the boiler, the installer must use wire grommets suitable for securing the wiring and preventing chafing. Failure to follow instructions may result in component failure, serious injury or death.



WARNING

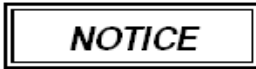
Power Supply - The Trinity Tx is designed to be powered using a single phase 120VAC power supply that is fused (or protected via a circuit breaker) to allow a maximum of 15 Amps. Failure to follow instructions may result in component failure, serious injury or death.



Labeling - Label all wires prior to disconnecting them when servicing controls. Wiring errors can cause improper and dangerous operation. Failure to follow instructions may result in property damage or personal injury.



Continuity - Before connecting the line voltage wiring, perform a continuity check between all wires and ground to make sure that there are no electrical leaks that could blow a fuse or damage electrical components. Also check the polarity of the line and neutral wires. Line must measure 120VAC to ground; neutral must measure zero. Failure to follow instructions may damage the unit.

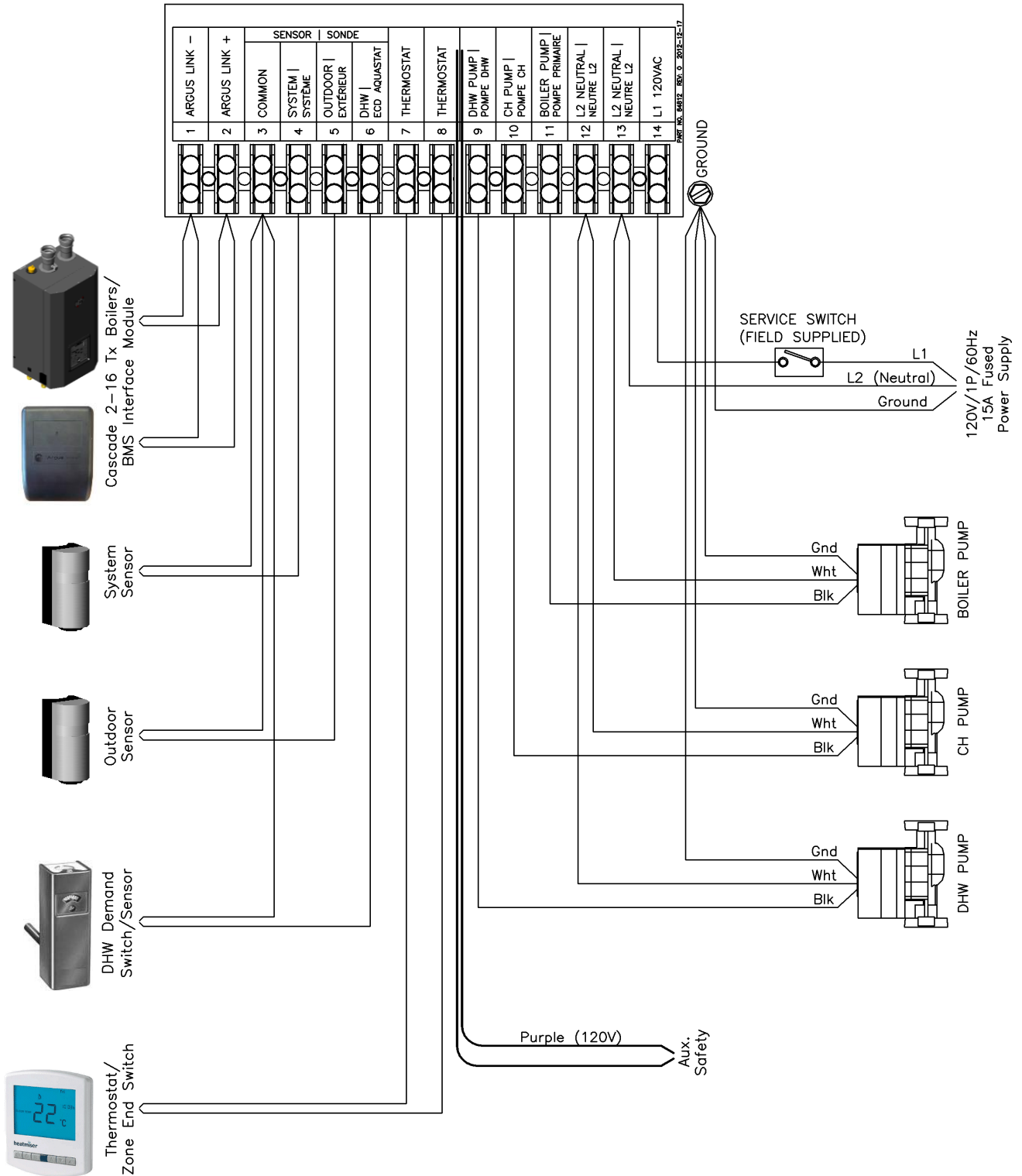


Max Load – The total load rating of circulators powered by outputs BOILER PUMP and CH PUMP, or BOILER PUMP and DHW PUMP cannot exceed 2.6 Amps.

Table 12-1 Field Connections

Connection		Location	Description
ARGUS LINK –		1	Argus Link Communication – used to cascade up to 16 boilers, also for connection to USB interface for PC-connection and BMS Modbus/Expansion Interface Module.
ARGUS LINK +		2	
SENSOR	COMMON	3	Sensor Common – Common port for field inputs SYSTEM, OUTDOOR and DHW.
	SYSTEM	4	System Temperature Sensor (Optional) – Wire to terminals 3 and 4 of the main boiler in a cascade . Sensor would be installed on the system supply pipe feeding the Central Heating system to allow accurate control of system temperature. Sensor is available from NTI, P/N: 84010.
	OUTDOOR	5	Outdoor Temperature Sensor – A wall mountable OD Sensor is included with each boiler; connect to terminals 3 and 5. In a cascade, the OD Sensor only needs to be connected to the main boiler. The use of the OD Sensor is required to allow the boiler control to automatically infer the heat load of a central heating system.
	DHW	6	Tank Thermostat / Sensor (Not Applicable for Tx-Combi models) – Connect the contacts of a DHW Tank Thermostat, or leads of an approved DHW Tank Sensor (NTI P/N: 84632), to terminals 3 and 6. When using a Thermostat, set DHW mode = 2 (menu setting 2-08). When using a Sensor, set DHW mode = 1. See Section 17.0 for more details.
THERMOSTAT		7	24VAC Room Thermostat Input – Connect central heat demand switch (room thermostats or zone control end switch), or “nighttime setback” / “time of day” switch to terminals 7 and 8. Switch must be an isolated end switch.
		8	
DHW PUMP		9	120VAC output to the DHW circulator; powered during a demand for DHW. Total load of DHW PUMP and BOILER PUMP must not exceed 2.6Amps. Not applicable for Tx-Combi models.
CH PUMP		10	120VAC output to the Central Heating circulator; powered during a demand for Central Heat. Total load of CH PUMP and BOILER PUMP must not exceed 2.6Amps.
BOILER PUMP		11	120VAC output to the main boiler circulator; powered during all demands. Total load of BOILER PUMP and CH PUMP (or DHW PUMP) must not exceed 2.6Amps. Not applicable for Tx-Combi models – pump is factory wired.
L2 NEUTRAL		12	Location for connecting neutral of the power supply and all circulators.
		13	
L1 120VAC		14	Location for connecting line voltage of the power supply. Note; most installation codes require the installation of a service switch to break line voltage to the appliance.
Ground		Green Wire	Location for connecting earth ground and for grounding all circulators.
Safety Circuit		Purple Wire	120VAC Safety Limit Circuit – Purple wire located in junction box; line can be cut and connected to optional external limits, i.e. LWCO.

Figure 12-2 Field Wiring



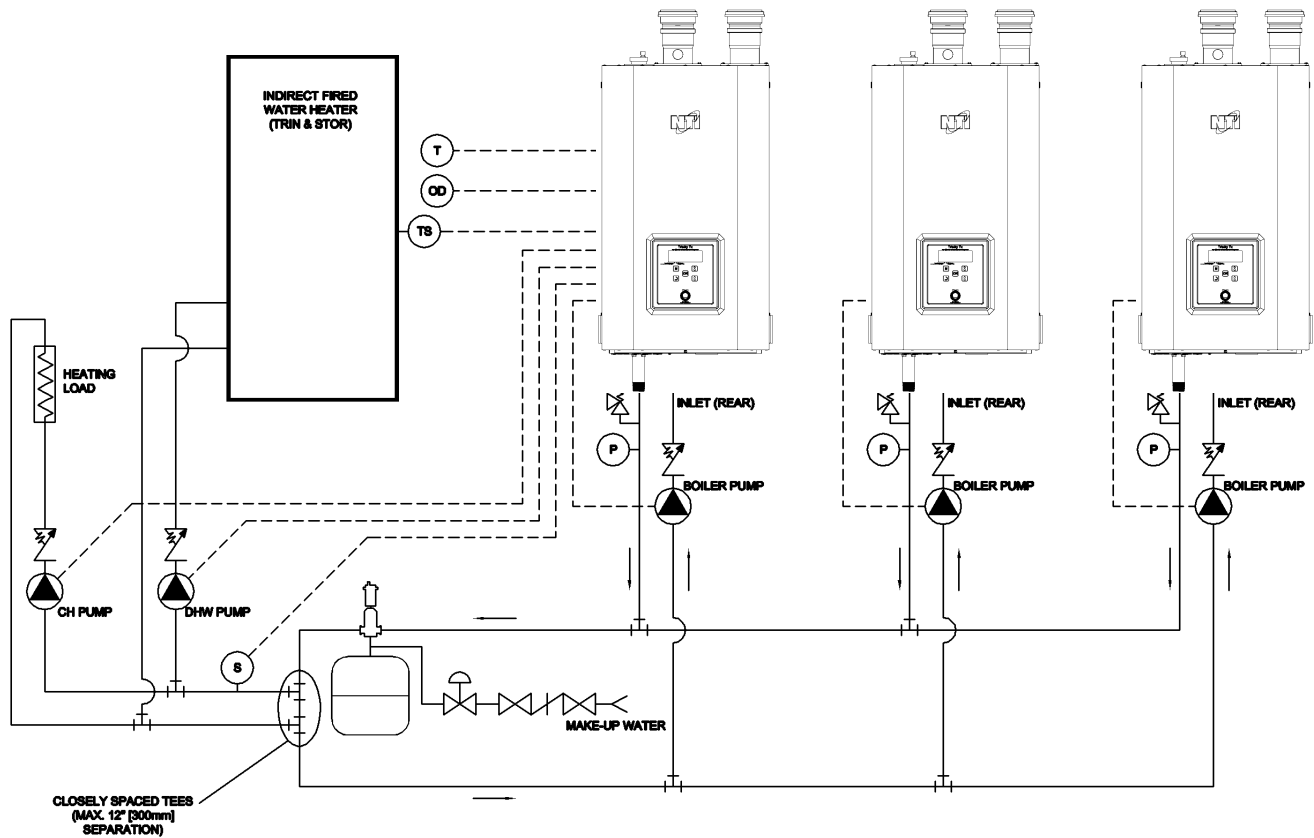
NOTICE

ECM Pumps – due to the large inrush current of ECM pumps, they should only be switched via an isolation relay, not directly via the boiler controller. Powering ECM pumps directly will lead to premature failure of the boiler controller’s pump relay contacts.

13.0 CASCADE INSTRUCTIONS

The Tx controller has the internal capacity to cascade (lead-lag / stage) up to 16 Tx boilers, without the use of an external controller. Use the instructions detailed in this section to set-up and install the Tx cascade system.

Figure 13-1 Cascade Plumbing Schematic



LEGEND					
SYMBOL	DESCRIPTION	SYMBOL	DESCRIPTION	SYMBOL	DESCRIPTION
	SYSTEM SENSOR		BACKFLOW PREVENTOR		AIR SEPARATOR
	CHECK VALVE		PRESSURE RELIEF VALVE		PUMP
	HEATING LOAD		PRESSURE REGULATING VALVE		FLOW DIRECTION
	AIR VENT		PRESSURE GAUGE		EXPANSION TANK
	WATER PIPING		WIRING		OUTDOOR SENSOR
	TANK SENSOR/SWITCH		CH THERMOSTAT		

Communication Wiring – for each boiler in the cascade, wire in parallel electrical connections Argus Link (-) and Argus Link (+), terminals 1 and 2 (see Figure 12-2).

Establish Managing Boiler – choose one boiler to be the Managing Boiler, this boiler will receive all control wiring and will be used for setting control parameters (see steps below). All non-Managing Boilers must have the “S4” switch (located on the top right side of the control) switched OFF. *

* *Note: the “S4” switch is factory set to ON. The switch is in the off position when it is closest to the “S4” marking. The “S4” switch must remain in the ON position on the Managing Boiler.*

Plumbing – install the boilers in parallel in a primary/secondary plumbing configuration as illustrated in Figure 13-1. Size common piping as per Table 13-1.

System Sensor – install a system sensor (NTI P/N: 84010) on the outlet (supply) pipe feeding the heating system, see Figure 13-1. Wire the system sensor to terminals 3 and 4 of the Managing Boiler (left boiler in illustration).

IMPORTANT: the use of the system sensor is mandatory for proper operation of the boiler cascade system.

Outdoor Sensor – when using an outdoor sensor it must be connected to terminals 3 and 5 of the Managing boiler (left boiler in illustration); outdoor sensors connected to non-Managing boilers will be ignored.

Boiler Pump – each boiler in the cascade must have its own circulator (see Figure 13-1) which is operated by each respective boiler, via the BOILER PUMP output (terminal 11). The Boiler Pump must be sized according to Table 10-4.

CH Pump – the Managing Boiler can control the Central Heating Pump via its CH PUMP output (terminal 10). **IMPORTANT:** due to the limited switching capacity of the CH PUMP output, it may be necessary to use an isolation relay to activate the CH Pump, see Table 12-1.

DHW Pump – the Managing Boiler can control the DHW Pump via its DHW PUMP output (terminal 9).

IMPORTANT: due to the limited switching capacity of the DHW PUMP output, it may be necessary to use an isolation relay to activate the DHW Pump, see Table 12-1.

Central Heat Demand Switch (Room Thermostat) – connect to terminals 7 and 8 (T, T) of the Managing Boiler. Switch must be an isolated end switch (dry contact). Central Heat settings are programmed from the Managing Boiler only, i.e. Installer menu settings 2-01, 2-02, 2-03, 2-04, 2-05 and 2-06.

Tank Thermostat / Sensor – connect to terminals 3 and 6 of the Managing Boiler. DHW settings are programmed from the Managing Boiler only, i.e. Installer menu settings 2-07, 2-08 and 2-09. Set DHW Mode (Installer menu setting 2-08) according to device used; Thermostat = 2, Sensor = 1.

Boiler Address – assign a unique boiler address for each boiler in the cascade via Installer menu setting 2-20. Managing boiler must be set = 1; other boilers must be set from 2 to 16.

Rotation Interval – establishes the time, in days, between advancements of the staging sequence of boilers in the cascade; set via Installer menu setting 2-22 of the Managing Boiler.

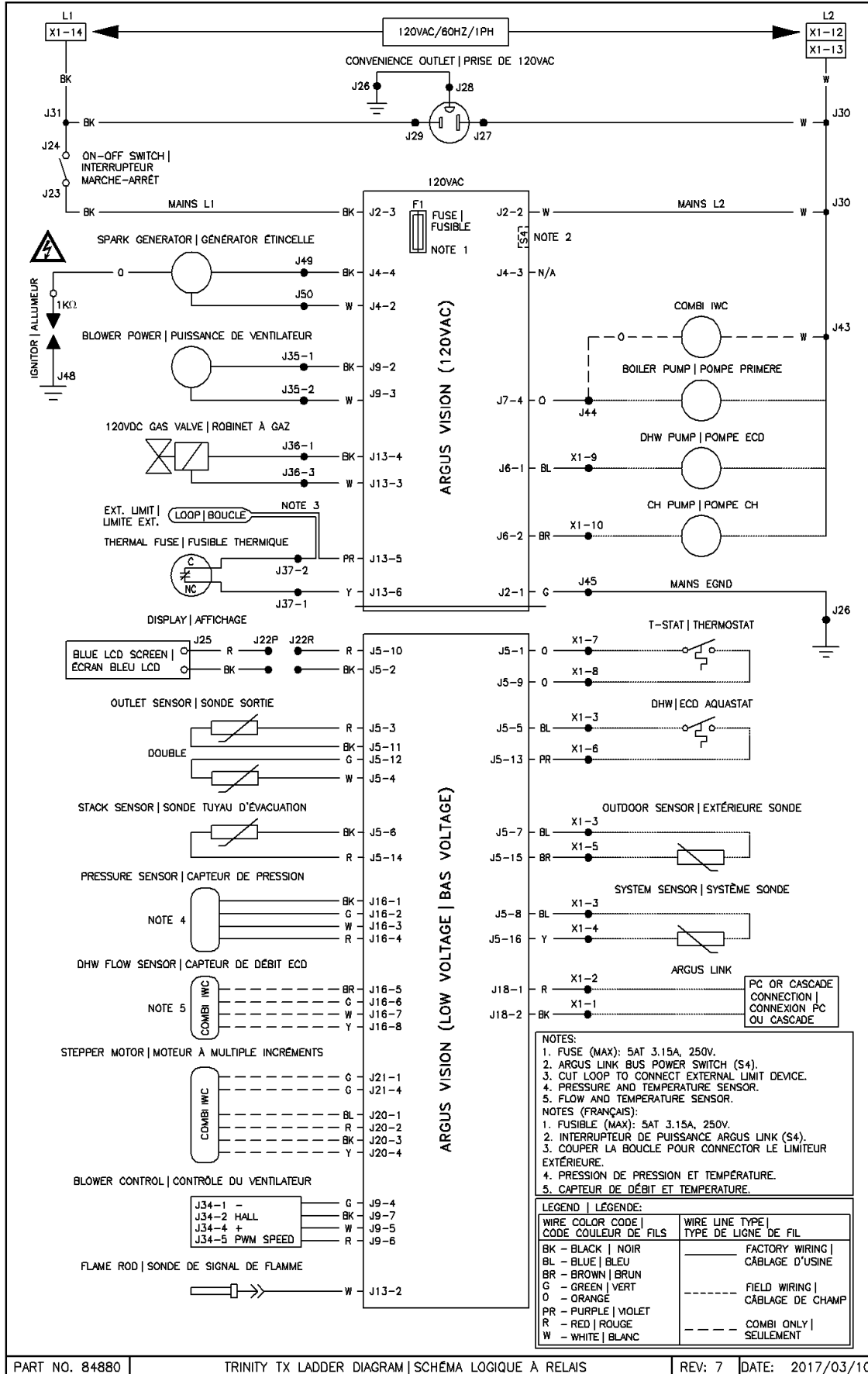
Emergency Setpoint – establishes an emergency (back-up) boiler operating setpoint in the event communication is lost between boilers, or if the system sensor is not connected. Set via Installer menu setting 2-21 of each boiler in the cascade.

Table 13-1 Minimum Pipe Sizes for Multiple Boiler Applications

# of Units	Tx51	Tx81	Tx101	Tx151	Tx200
	Pipe Size				
2	1"	1-1/4"	1-1/4"	1-1/2"	2"
3	1-1/4"	1-1/2"	1-1/2"	2"	2"
4	1-1/4"	1-1/2"	2"	2"	2-1/2"
5	1-1/2"	2"	2"	2-1/2"	2-1/2"
6	1-1/2"	2"	2"	2-1/2"	3"
7	1-1/2"	2"	2-1/2"	2-1/2"	3"
8	2"	2"	2-1/2"	2-1/2"	4"
9	2"	2-1/2"	2-1/2"	3"	4"
10	2"	2-1/2"	2-1/2"	3"	4"
11	2"	2-1/2"	2-1/2"	3"	4"
12	2"	2-1/2"	2-1/2"	3"	4"
13	2"	2-1/2"	3"	3"	4"
14	2"	2-1/2"	3"	4"	5"
15	2"	2-1/2"	3"	4"	5"
16	2-1/2"	3"	3"	4"	5"

Note: Minimum pipe size based on assumed temperature rise of 25°F at maximum firing rate.

Figure 14-2 Tx Ladder-Logic Diagram



15.0 INSTALLATION CHECKLIST

Installation

- 1. If operating on Propane Gas, convert boiler using appropriate conversion orifice. See Table 7-1.
- 2. Locate the boiler in accordance with Section 3.0 of this manual.
- 3. Install the Vent/Air-inlet piping in accordance with Sections 4.0 and 5.0 of this manual. Ensure all joints are secured and cemented properly. Both the Vent and Air-inlet pipes must terminate outdoors. Perform the Mandatory Pre-commissioning Procedure for Plastic Venting in Section 4.0.
- 4. Connect the condensate trap and drain in accordance with Section 6.0 of this manual.
- 5. Connect the gas supply in accordance with Section 7.0 of this manual.
- 6. Install the plumbing in accordance with this manual. Flush/cleanse the internals of the heating system. Treat system water with Fernox F1 Protector when needed.
- 7. Connect field wiring in accordance with Section 12.0 of this manual.
- 8. Advise home/building owner of their responsibilities with respect to maintaining the boiler.



WARNING

The building owner is responsible for keeping the Vent/Air-inlet termination free of snow, ice, or other potential blockages and for scheduling boiler routine maintenance as described in the next section. Failure to properly maintain the boiler may result in serious injury or death.

Start-up



DANGER

Allow primers/cements to cure for 8 hours prior to Start-up. If curing time is less than 8 hours, first perform Steps 2 through 6 of **Mandatory Pre-commissioning Procedure for Plastic Venting** in Section 4.0. Failure to follow these instructions can result in explosion, serious injury or death.

- 1. Turn gas shut-off valve to the ON position.
- 2. Turn Power on to the boiler.
- 3. Set Controller to the desired settings.
- 4. Turn thermostat up, Ignition will occur.

Operational Checklist

- 1. System is free of gas leaks.
- 2. System is free of water leaks.
- 3. Water pressure is maintained above 15 PSI.
- 4. All air is purged from the heating system piping.
- 5. Ensure proper water flow rate; unit must not kettle, bang, hiss or flash the water to steam.
- 6. Ensure gas line pressure is in accordance with Section 9.0.
- 7. System is free of combustion leaks.
- 8. Unit must operate smoothly.
- 9. Ensure the flue gas combustion readings are within the tolerances listed in Table 9-1.
- 10. Each ignition must be smooth.
- 11. Verify that all condensate lines are clean and drain freely.

Before Leaving

- 1. Remove line pressure gauge from gas valve, tighten bleed screw, test screw for leaks. See Section 9.0.
- 2. Install plug into the flue gas test port and test for leaks, see Section 9.0.
- 3. Allow the boiler to complete at least one heating cycle, or to operate for at least 15 minutes.
- 4. Always verify proper operation after servicing.

Instructions to Installing Contractor

- 1. Ensure that the customer receives the Warranty Documentation included with the installation manual.
- 2. Leave the manual with the customer so they know when to call for annual maintenance and inspection.



WARNING

This boiler must have water flowing through it whenever the burner is firing. Failure to comply may damage the unit, void the warranty, and cause serious injury or death.



WARNING

Allowing the boiler to operate with a dirty combustion chamber will adversely affect its operation and void the warranty. Failure to clean the heat exchanger on a frequency that matches the need of the application may result in fire, property damage, or death.

16.0 ANNUAL MAINTENANCE AND INSPECTION

This unit must be inspected at the beginning of every heating season by a Qualified Technician.

Annual Inspection Checklist

- 1. Lighting is smooth and consistent, and the combustion fan is noise & vibration free.
- 2. The condensate drain freely flows, and is cleaned of sediment.
- 3. Relief Valve and air vents are not weeping.
- 4. Low water cut off is tested
- 5. Examine all venting for evidence of leaks. Ensure vent screens are cleaned and clear of debris.
- 6. Check the burner plate for signs of leaking.
- 7. The combustion chamber must be inspected and if necessary cleaned.
- 8. Keep boiler area clear/free from combustible materials, gasoline, and other flammable vapors and liquids.
- 9. Ensure there is nothing obstructing the flow of combustion and ventilation air.
- 10. Listen for water flow noises indicating a drop in boiler water flow rate.

Important - The hydronic system may need to be flushed to eliminate hard water scale (Use Fernox DS-40 Descaler, NTI PN: 83450).

- 11. **Verify proper operation after servicing.**

CAUTION

Wiring Labels - Label all wires prior to disconnection when servicing controls. Wiring errors can cause improper and dangerous operation.

IMPORTANT

Cleaners and Potable Water - Boiler system cleansers and corrosion inhibitors must not be used to flush contaminants from water heaters or potable water systems.

Combustion Chamber Cleaning Procedure

The combustion chamber must be cleaned after the first year of operation, with subsequent cleanings scheduled based on the condition of the combustion chamber at the time of the first cleaning. Units operating with LP Gas or in an industrial environment may require more frequent cleanings.

IMPORTANT

Crystalline Silica - Read carefully the warnings and handling instructions pertaining to Refractory Ceramic Fibers before commencing any service work in the combustion chamber. Take all necessary precautions and use recommended personal protective equipment as required.

Cleaning Checklist

- 1. Remove the demand for heat, allow the post-purge cycle to finish, turn gas and power supply off.
- 2. Working inside the cabinet, swing the control panel out of the way, disconnect the cabling to the combustion blower, gas valve, spark igniter and flame sensor, then remove the air-inlet and gas supply piping.
- 3. Once the combustion chamber has cooled, remove the four (4) nuts securing the burner assembly to the heat exchanger, then remove the assembly (burner door, blower and gas valve) – be careful not to damage the insulation disc located behind the burner door. Replace insulation if it is damaged.
- 4. Inspect the condition of the insulation at the back of the chamber; cover it to protect it from becoming wet during the cleaning process. If the insulation is damaged, remove it and install new insulation once the heat exchanger cleaning is complete.
- 5. Use a vacuum with a high efficiency filter to remove any loose debris or dust.
- 6. Remove the condensate trap from the bottom of the boiler and place a drain under the boiler condensate drain.
- 7. Wet the inside of the combustion chamber with warm water (do not use any chemicals). Use a garden hose with a trigger nozzle to direct pressurized water between the heat exchanger tubes; the water will exit via the condensate drain on the bottom. Continue process until the gaps between the tubes are clear and the water runs clean. Use dry rags or plastic to protect electrical components from being damaged by dripping or spraying water.
- 8. Disassemble the condensate trap and thoroughly clean it; then reassemble and securely connect it to the boiler condensate drain, see Section 6.0.
- 9. Reassemble the boiler in the reverse order of disassembly.
- 10. Perform the Start-up and Operational Checklist detailed in the previous section.

WARNING

Replace any gaskets or insulation discs that show any signs of damage and do not re-use. Failure to follow these instructions may result in fire, property damage or death.

Refractory Ceramic Fibers (RFC)



Personal Protective Equipment Recommended - Read the following warnings and handling instructions carefully before commencing any service work in the combustion chamber. The insulating material on the inside of the burner plate contains *Refractory Ceramic Fibers* and should not be handled without personal protective equipment.



Potential Carcinogen - Use of *Refractory Ceramic Fibers* in high temperature applications (above 1000°C) can result in the formation of Crystalline Silica (cristobalite), a respirable silica dust. Repeated airborne exposure to crystalline silica dust may result in chronic lung infections, acute respiratory illness, or death. Crystalline silica is listed as a (potential) occupational carcinogen by the following regulatory organizations: International Agency for Research on Cancer (IARC), Canadian Centre for Occupational Health and Safety (CCOHS), Occupational Safety and Health Administration (OSHA), and National Institute for Occupational Safety and Health (NIOSH). Failure to comply with handling instructions in Table 16-1 may result in serious injury or death.



Crystalline Silica - Certain components confined in the combustion chamber may contain this potential carcinogen. Improper installation, adjustment, alteration, service or maintenance can cause property damage, serious injury (exposure to hazardous materials) or death. Refer to Table 16-1 for handling instruction and recommended personal protective equipment. Installation and service must be performed by a qualified installer, service agency or the gas supplier (who must read and follow the supplied instructions before installing, servicing, or removing this boiler. This boiler contains materials that have been identified as carcinogenic, or possibly carcinogenic, to humans).

Table 16-1 Handling Instructions for Refractory Ceramic Fibers (RCF)

Reduce the Risk of Exposure	Precautions and Recommended Personal Protective Equipment
Avoid contact with skin and eyes	<ul style="list-style-type: none"> Wear long-sleeved clothing, gloves, and safety goggles or glasses.
Avoid breathing in silica dust	<ul style="list-style-type: none"> Wear a respirator with an N95-rated filter efficiency or better.¹ Use water to reduce airborne dust levels when cleaning the combustion chamber. Do not dry sweep silica dust. Pre-wet or use a vacuum with a high efficiency filter.
Avoid transferring contamination	<ul style="list-style-type: none"> When installing or removing RFCs, place the material in a sealable plastic bag. Remove contaminated clothing after use. Store in sealable container until cleaned. Wash contaminated clothing separately from other laundry.
First Aid Measures	<p>If irritation persists after implementing first aid measures consult a physician.</p> <ul style="list-style-type: none"> Skin - Wash with soap and water. Eyes - Do not rub eyes; flush with water immediately. Inhalation – Breathe in fresh air; drink water, sneeze or cough to clear irritated passage ways.

Notes:

¹ Respirator recommendations based on CCOHS and OSHA requirements at the time this document was written. Consult your local regulatory authority regarding current requirements for respirators, personal protective equipment, handling, and disposal of RCFs.

For more information on Refractory Ceramic Fibers, the risks, recommended handling procedures and acceptable disposal practices contact the organization(s) listed below:

Canada (CCOHS): Telephone directory listing under Government Blue Pages Canada—Health and Safety—Canadian Centre for Occupational Health and Safety; or website <http://www.ccohs.ca>.

United States (OSHA): Telephone directory listing under United States Government—Department of Labor—Occupational Safety and Health Administration; or website <http://www.osha.gov>.

17.0 DISPLAY MENU GUIDE

Initial Power-up

Immediately following power-up of the boiler, the display reads, “conn”, indicating it is connecting to the controller; this is followed by a momentary reading of the display software version, e.g. *init 5250*. After which the controller performs a de-air sequence that is designed to purge air from the boiler water. The de-air sequence cycles the circulators off and on, for a period of 14 minutes, in an attempt to free air pockets that may exist in the heat exchanger and boiler piping.

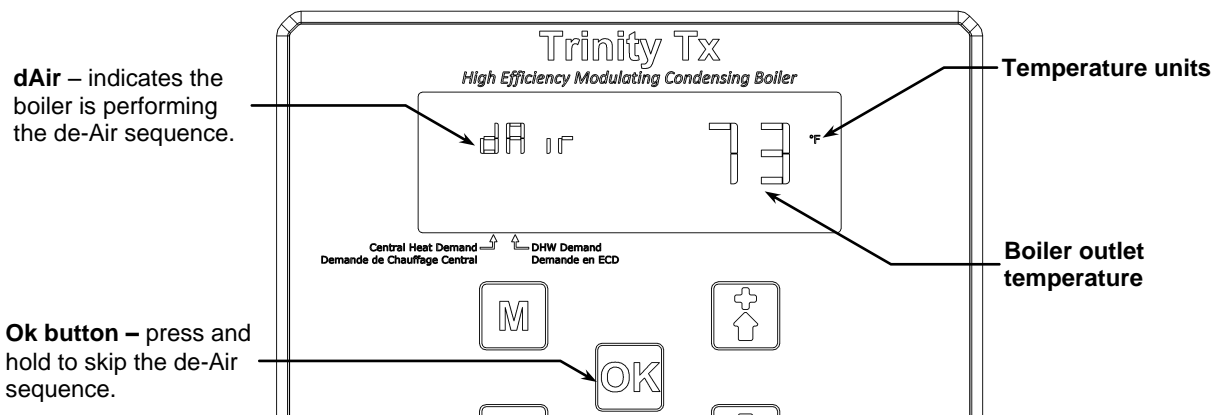
NOTICE

The de-air sequence is initiated following each power-up of the boiler; if air has already been adequately purged from the system the de-air sequence can be stopped by holding the OK button until “dAir” is no longer displayed on the screen, see Figure 17-1.

WARNING

The de-air sequence is designed to remove air from the system; failure to adequately remove air from the system can damage the heat exchanger and void the warranty, and may lead to property damage and personal injury.

Figure 17-1 de-Air Sequence



Main Screen

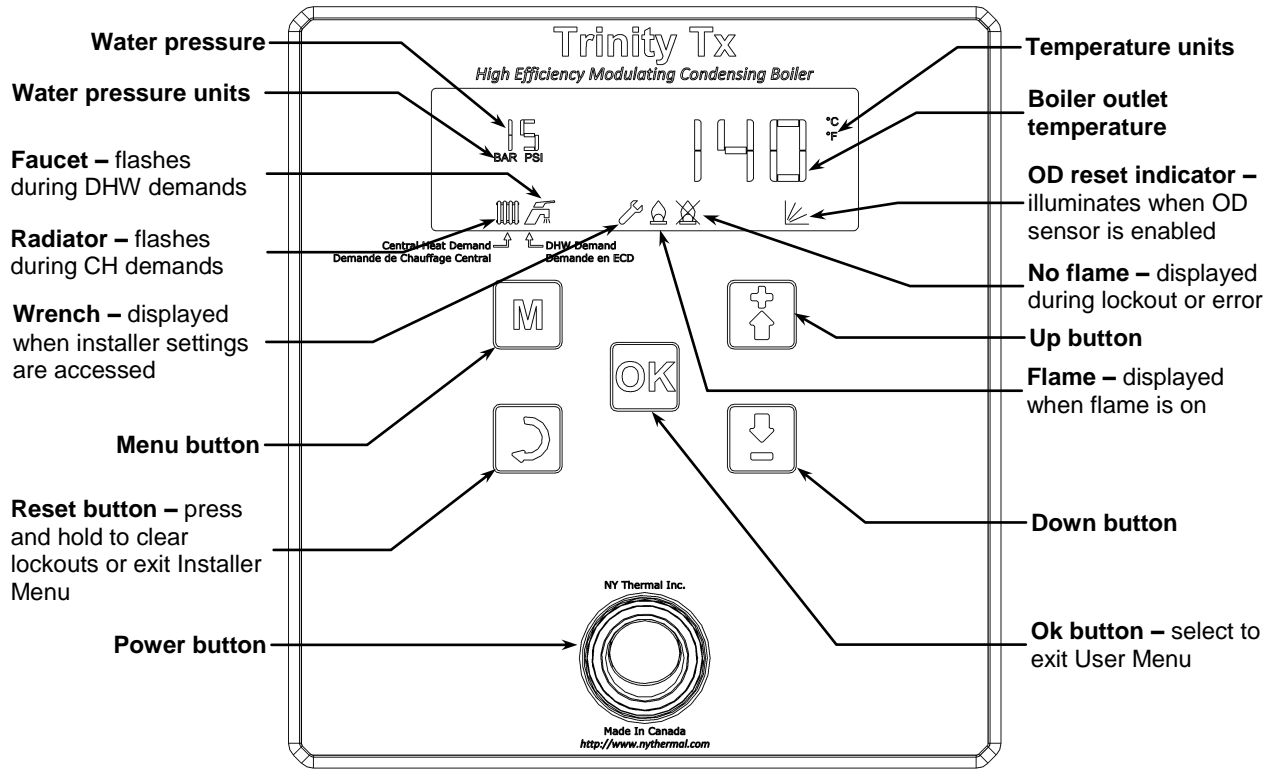
Following power-up of the boiler (after the de-air sequence), or after 60 seconds of inactivity (no buttons pressed), the boiler defaults to the Main Screen, see Figure 17-2. Under normal operating conditions the Main Screen displays the boiler outlet temperature and water pressure, as well as an indication of the current heat demand (CH or DHW), burner status and outdoor reset function. See Figure 17-2 for more details.

User Menu access – from the Main Screen, access to the User Menu is accomplished simply by pressing the UP or DOWN button on the console; see User Menu section below for more details.

Installer Menu access – from the Main Screen or User Menu, access to the Installer Menu is accomplished by pressing and holding the MENU and OK buttons simultaneously; see Installer Menu section below for more details.

Return to Main Screen – from the User Menu, return to the Main Screen by pressing the OK button. From the Installer Menu, return to the Main Screen by pressing and holding the RESET button.

Figure 17-2 Control Console – Main Screen



User Menu

The User Menu allows for easy viewing of the current boiler operating conditions, including pump status, sensor inputs, common set points, and boiler target temperature. Access the User Menu from the Main Screen by pressing the UP or DOWN button on the display console. Exit the User Menu by pressing the OK button.

NOTICE

The User Menu only permits the user to **view** boiler information; editing of settings must be done from the Installer Menu. Access the Installer Menu by pressing and holding the MENU and OK buttons simultaneously; see Installer Menu section for more details.

Figure 17-3 User Menu Navigation

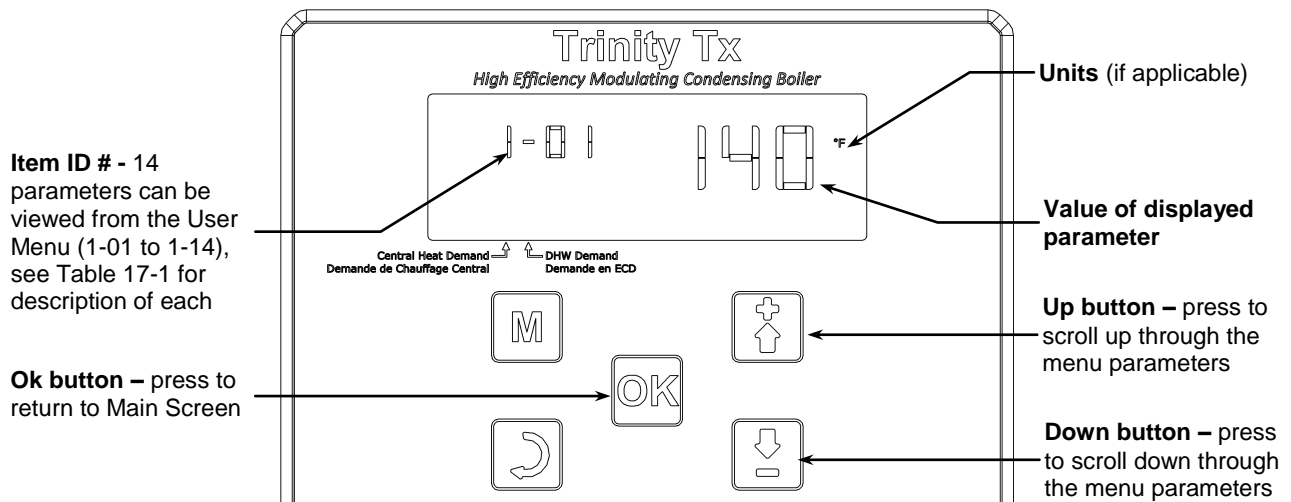


Table 17-1 User Menu

Menu Item	Description
1-01	Current target temperature – displays the current target temperature at the boiler outlet sensor for the active demand (DHW or Central Heating). For central heating with outdoor reset, the calculated central heating target temperature will be displayed. NOTICE: model Tx-Combi models will display “---” during DHW demands.
1-02	CH setpoint (at OD = 0°F) – displays the maximum central heat setpoint, set via Installer Menu setting 2-01. Setting establishes the boiler operating temperature during central heat demands when the outdoor temperature is 0°F or less.
1-03	DHW temperature – displays the temperature reading from; (i) the Tank sensor (NTI P/N: 84632) located in an indirect water heater or (ii) the DHW sensor inside the Tx-Combi boiler (NTI P/N: 84907). When no sensor is used, “OPEn” indicates an open circuit, and “CLOS” indicates a closed circuit – i.e. contact closure from an indirect thermostat.
1-04	DHW setpoint – displays the DHW setpoint, set via Installer Menu setting 2-07.
1-05	DHW flow rate (gpm) – displays the DHW flow rate sensed at the Tx-Combi DHW sensor. NOTICE: when the sensor is disconnected, 0.49 is displayed.
1-06	Fan speed actual (rpm) – displays speed at which the combustion blower is operating.
1-07	Flame signal (µA) – displays the flame strength signal sensed from the ionization electrode, NTI P/N: 84740; minimum signal to sustain normal burner operation is 3µA. Burner operation is completely prohibited when the signal drops below 1.5µA.
1-08	Outdoor sensor temperature – displays reading from outdoor temperature sensor, NTI P/N: 83604. NOTICE: when sensor is open (not connected) display indicates -40°F/C or “OPEn”; when sensor is shorted display indicates 176°F/80°C or “OPEn”.
1-09	Return sensor temperature – displays reading from boiler inlet temperature sensor, NTI P/N: 84745.
1-10	Flue sensor temperature – displays reading from boiler flue temperature sensor, NTI P/N: 84780. Burner operation is inhibited when the flue temperature reading is in excess of 220°F. NOTICE: an open circuit is displayed as 50°F/10°C and a blocking error “Err 78” occurs; a short circuit is displayed as 278°F/137°C and a blocking error “Err 86” occurs.
1-11	Boiler pump – indicates the status (On/Off) of the Boiler Pump output. Note: the Boiler Pump output is on during all demands.
1-12	Central heat pump – indicates the status (On/Off) of the CH Pump output. Note: the CH Pump output is on during central heat demands; the CH Pump will turn off during priority DHW demands.
1-13	DHW pump – indicates the status (On/Off) of the DHW Pump output. Note: the DHW Pump output is on during priority DHW demands.
1-14	System sensor temperature – for use only in cascade systems, displays reading from a system temperature sensor, NTI P/N: 84010. When used, the system sensor is only wired to the managing boiler, i.e. boiler with S4 switch set to on, and boiler address (Installer Menu setting 2-20) set to 1. NOTICE: an open circuit is displayed as “OPEn”; a short circuit is displayed as “CLOS”.
Notes:	
¹ Enter User Menu by pressing the UP or DOWN button; to scroll through menu options, continue pressing the UP or DOWN button.	
² Exit User Menu by pressing the OK button.	
³ User Menu is for viewing only; to adjust settings refer to the Installer Menu.	

Installer Menu

The Installer Menu allows access to all settings for adjustment, as well as viewing of statistical data for troubleshooting. Access the Installer Menu from any screen by pressing the MENU and OK buttons simultaneously until “2-01” is displayed on the top left of the screen. Exit the Installer Menu by pressing and holding the RESET button.



Installer Menu settings shall only to be adjusted by a qualified installer or service technician that understands the repercussions of incorrect control settings. Improper control settings may negatively affect the operation of the boiler and/or the heating system; resulting in property damage, serious injury or even death.

Adjusting settings – once the Installer Menu is accessed; adjust settings using the following procedure:

1. Use the UP or DOWN button to scroll through the menu until the desired setting number is displayed in the top-left of the screen (i.e. 2-01).
2. Press the OK button to access the setting; at this time the setting will flash (Note: if the value does not flash after pressing the OK button, then the parameter is not adjustable – refer to Table 17-2).
3. With the value flashing, use the UP or DOWN button to increase or decrease the setting. Once the desired value is displayed, press the OK button to enter/save the new value. At this point the value will stop flashing.
4. Repeat for the next setting. Once complete, return to the Main Screen by holding the RESET button.

Figure 17-4 Installer Menu Navigation

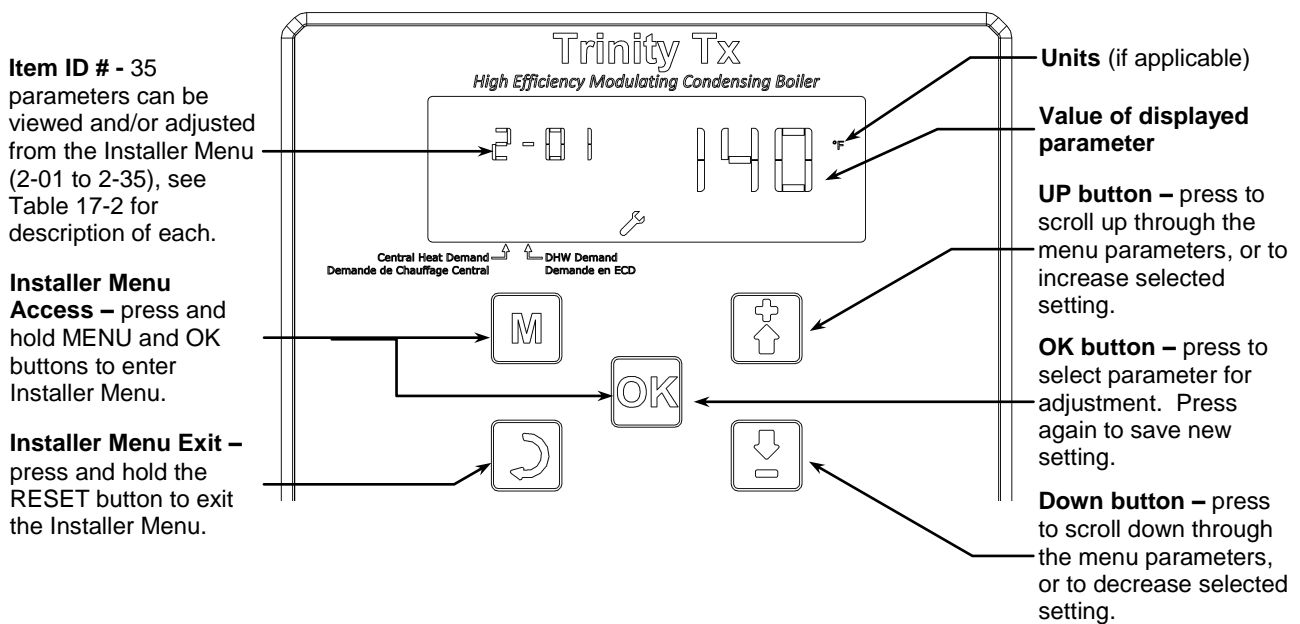


Table 17-2 Installer Menu

Setting	Description	Factory Setting
2-01	CH setpoint (at OD = 0°F) – establishes the boiler operating temperature during central heat demands when the outdoor temperature is 0°F or less. Set to the maximum desired boiler temperature for the application, e.g. 100-120°F for infloor; 140-160°F for cast-iron; 160-190°F for baseboard. Range = 80 to 190°F	140°F
2-02	CH setpoint differential – establishes how much the boiler outlet temperature must exceed the CH setpoint before the burner is turned off. Also establishes how much the boiler outlet temperature must drop below the CH setpoint before the burner is turned on. Range = 3 to 36°F	9°F

Setting	Description	Factory Setting
2-03	<p>CH mode – determines the operational mode for central heating:</p> <ul style="list-style-type: none"> 0 – no outdoor sensor is needed; central heat demand is generated by a thermostat call to boiler terminals 7 and 8. Boiler operates to setting 2-01; there is no outdoor reset. 1 – outdoor sensor is needed; central heat demand is generated by a thermostat call to boiler terminals 7 and 8. Boiler operates in-between settings 2-01 and 2-05 depending on OD temp. 2 – outdoor sensor is needed; central heat demand is generated when the OD temp is below the Warm weather shutdown setting (2-04). Boiler operates in-between settings 2-01 and 2-05 depending on OD temp. An optional “nighttime setback” or “time of day” switch can be applied to terminals 7 and 8; contact closure initiates “Night Setback Mode”, where the boiler target temperature is reduced by the Night Setback Temperature setting (2-33). 3 – same as 0. 4 – setpoint from external analog input (0-10VDC); 2 volts for minimum CH setpoint, 10 volts for maximum CH setpoint. Use of an addition interface board through Argus Link is required. 5 – modulation from external analog input (0-10VDC); 2 volts for minimum modulation, 10 volts for maximum modulation. Use of an addition interface board through Argus Link is required. 	1
2-04	<p>Warm weather shutdown – inhibits central heat operation when the outdoor temperature reading goes above this setting. Range = 35 to 100°F</p>	100°F
2-05	<p>CH setpoint (at OD = 70°F) – establishes the boiler operating temperature during central heat demands when the outdoor temperature is 70°F or greater. Set to the minimum desired boiler temperature for the application, e.g. 70-90°F for infloor; 100-120°F for cast-iron; 110-140°F for baseboard. Range = 60 to 140°F</p>	95°F
2-06	<p>Temperature boost – determines the increase in boiler target temperature for every 15 minutes of continuous central heat demand. Only applicable when an outdoor sensor is used (i.e. CH modes 1 & 2). Target temperature will not exceed CH setpoint setting 2-01. Range = 0 to 36°F</p>	0°F
2-07	<p>DHW setpoint – establishes: a) tank temperature setting for DHW mode 1 [e.g. 130-140°F], b) boiler outlet setpoint for DHW mode 2 [e.g. 170-190°F] or c) DHW temperature for Tx-Combi [e.g. 120-140°F]. Range = 104-190°F</p>	136°F
2-08	<p>DHW mode – determines the operational mode for DHW; for non-combi models Tx51-200 choose between options 0, 1 and 2; for Tx-Combi models choose between options 0 and 5:</p> <ul style="list-style-type: none"> 0 – off; boiler will not attempt to heat DHW in any way. 1 – tank sensor, NTI P/N: 84632, is installed in the indirect water heater and wired to boiler terminals 3 and 6. Tank temperature is adjusted via setting 2-07. 2 – tank thermostat is installed in the indirect water heater and wired to boiler terminals 3 and 6. Setting 2-07 determines boiler outlet temperature during DHW demands. (Default setting for Tx51-200) 3 & 4 – settings are not applicable. 5 – DHW mode setting for Tx-Combi model. Setting 2-07 determines DHW outlet temperature. 	2 or 5
2-09	<p>DHW priority timer – a timer that accumulates during a simultaneous DHW and CH demand. Each time the timer exceeds the “DHW priority timer” setting, the priority switches from one demand to the other (i.e. DHW to CH). Note: DHW is assigned priority first. Range = 1-240 minutes</p>	60 min
2-10	<p>Preheat mode – when set to ON, the boiler preheats the DHW inside the brazed plate heat exchanger of a Tx-Combi model, to reduce the time required for hot water to reach the fixture. Preheat helps limit the effect of “cold water sandwich” (not applicable for non-combi models Tx51-200). When set to OFF, the boiler does not preheat the DHW. Range = ON/OFF</p>	OFF
2-11	<p>Appliance selection (type) – indicates what boiler model the controller is configured to operate with:</p> <ul style="list-style-type: none"> 1 = Tx51 2 = Tx81 3 = Tx101 4 = Tx151 5 = Tx151C 6 = Tx200 7 = Tx200C <p>(See Section 17.0 for instruction on changing the appliance selection (type)).</p>	1 - 10
2-12	<p>Minimum firing rate – allows the installer to increase the minimum modulation/firing rate of the boiler; this may be necessary for troubleshooting. Range = 20-44%</p>	20%

Setting	Description	Factory Setting
2-13	Maximum firing rate CH – allows the installer to decrease the maximum modulation/firing rate of the boiler when operating on a central heat demand; this may be necessary for troubleshooting or de-rating the boiler for operation with glycol. Range = 60-100%	100%
2-14	Maximum firing rate DHW – allows the installer to decrease the maximum modulation/firing rate of the boiler when operating on a domestic hot water demand; this may be necessary for troubleshooting or de-rating the boiler for operation with glycol. Range = 60-100%	100%
2-15	Firing rate test – allows the installer to force maximum or minimum modulation rates for the purpose of troubleshooting and burner setup (i.e. combustion analysis): <ul style="list-style-type: none"> • 0 = Automatic; burner modulation is controlled by the controller. • 1 = Minimum; burner operates at the minimum modulation rate. • 2 = Ignition; burner operates at the ignition/light-off modulation rate. • 3 = Maximum; burner operates at the maximum modulation rate. Note: control will end test (return setting to 0) if the boiler outlet temperature exceeds 176°F. Return setting to 0 when testing is complete.	0
2-16	Service reminder status – a service reminder, indicated by “Att 7” on the screen, occurs every 365 days. The service reminder is reset by adjusting 2-16 to “OFF”.	OFF
2-17	Cascade pump postpurge – length of time the pumps remain powered at the end of a cascade DHW or CH demand. Applicable to the Manager only. Timer commences immediately following the end of the cascade demand, and will be overridden by a longer CH or DHW pump postpurge time. Range = 10-90seconds	30 sec
2-18	CH pump postpurge – length of time the CH & Boiler Pumps remain powered at the end of a central heat demand. Timer commences following the combustion fan postpurge. Range = 0-90seconds	30 sec
2-19	DHW pump postpurge – length of time the DHW & Boiler Pumps remain powered at the end of a DHW demand. Timer commences following the combustion fan postpurge. Range = 0-255seconds	10 sec
2-20	Cascade boiler address – assign a unique boiler address for each boiler in a cascade; managing boiler address must be set to 1. Managing boiler must have S4 switch set to ON; all others must be set to OFF. Central heat and DHW demands and setpoints are received and set at the managing boiler only. A boiler that is not part of a cascade must have the boiler address set to 0. Range = 0-16	0
2-21	Emergency setpoint – used only for a cascade system, assigns a permanent boiler operating temperature that is used if communication between boilers is lost, or if the system temperature sensor becomes disconnected. Must be set on each boiler in the cascade. Range = 104-190°F	113°F
2-22	Rotation interval – establishes the time between the rotation of start and stop sequences of boilers in a cascade. Range = 0-30days (0=disable)	5 days
2-25	Flame failures – accumulation of the number of flame outages that occurred during run.	NA
2-26	Ignition attempts success – accumulation of the number of successful ignitions.	NA
2-27	Ignition attempts failed – accumulation of the number of failed ignition attempts.	NA
2-28	Run time CH – accumulation of the number of hours that the burner has been firing for the purpose of central heating.	NA
2-29	Run time DHW – accumulation of the number of hours that the burner has been firing for the purpose of DHW.	NA
2-30	Post purge time – length of time the combustion blower operates at the end of a burner sequence. Recommend increasing post purge time for installations with long exhaust venting. Range = 5-60seconds	15 sec
2-31	Units selection – allows the installer to select US or metric units. Range = °F or °C	°F
2-32	External Ignition – determines the power source for the igniter spark. Range = OFF or On <ul style="list-style-type: none"> • OFF = internal ignition transformer (serial numbers prior to 72171) • On = external ignition transformer (serial numbers greater than 72170) 	On
2-33	Night Setback Temperature – applicable only when CH mode is set to 2 (menu setting 2-03), determines the reduction in boiler target temperature during “Night Setback Mode”, i.e. when terminals 7 and 8 receive a demand (contact closure) from a “nighttime setback” or “time of day” switch. Range = 0-54°F	15°F

Setting	Description	Factory Setting
2-34	Lockout History – displays the last 16 lockouts (Loc) and the time interval between each. The most recent lockout is displayed first; see description below.	NA
2-35	Blocking Error History – displays the last 16 blocking errors (Err) and the time interval between each. The most recent error is displayed first; see description below.	NA

Lockout & Error History

The Tx controller stores in its memory the 16 most recent Lockouts (Loc) and Blocking Errors (Err); these errors can be accessed from the Installer Menu via settings 2-34 (Lockout History) and 2-35 (Blocking Error History). The History submenus indicate which Lockout or Error occurred, and the time interval between each occurrence. Navigate the Lockout and Error History submenus as follows:

1. Navigate to Installer Menu setting 2-34 (Lockout History) or 2-35 (Blocking Error History). From this screen the display indicates how long ago the most recent error occurred; see Figure 17-5a.
2. Press the “OK” button to display the most recent error, and the time between it and the preceding error; see Figure 17-5b.
3. Press the UP button to display the next most recent error, and time between it and the preceding error; see Figure 17-5b. When you have reached the end of the recorded errors, the display will indicate “End 0”. To exit the History submenu, press the “OK” button; see Figure 17-5c.

Figure 17-5a Lockout and Error History Navigation

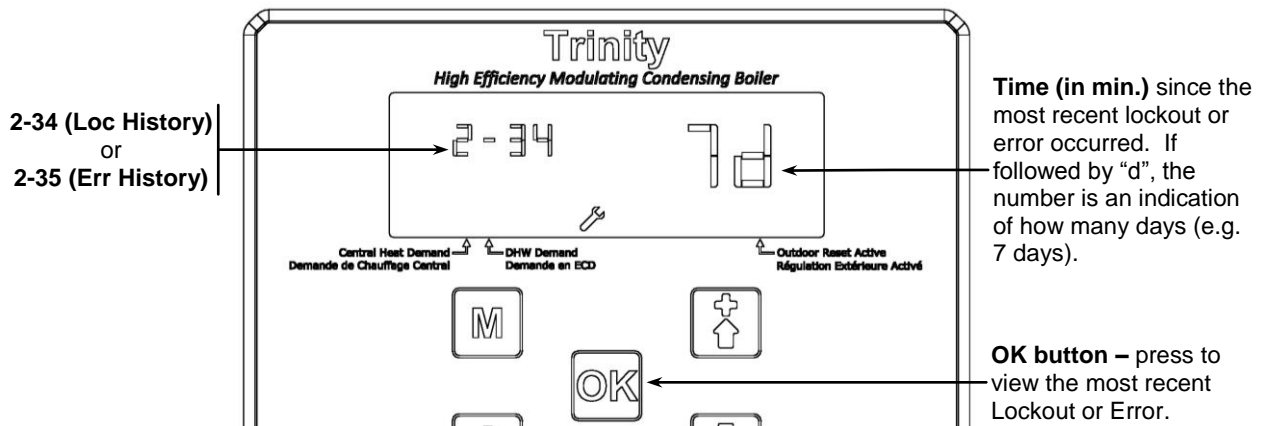


Figure 17-5b Lockout and Error History Navigation (Submenu)

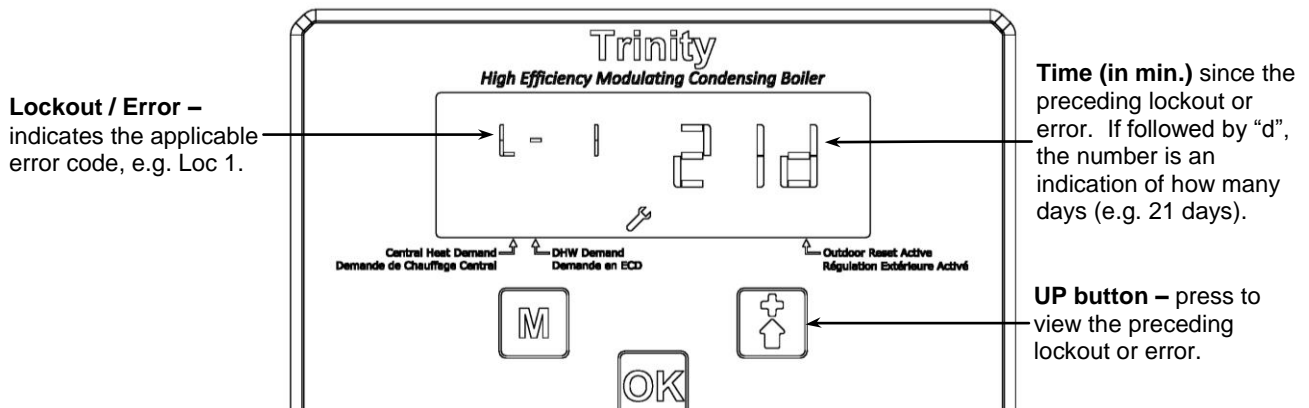
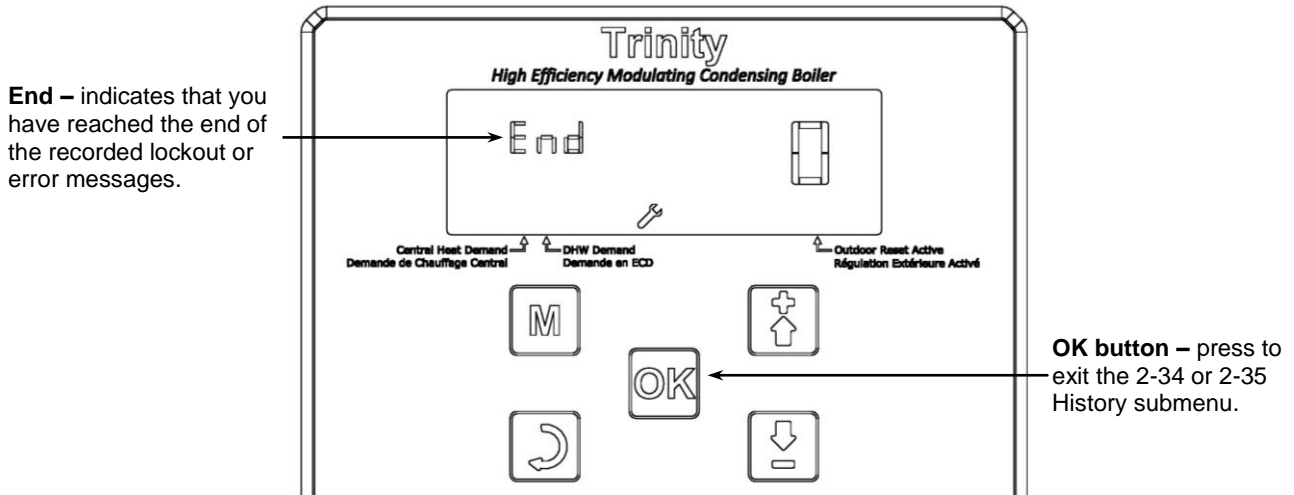


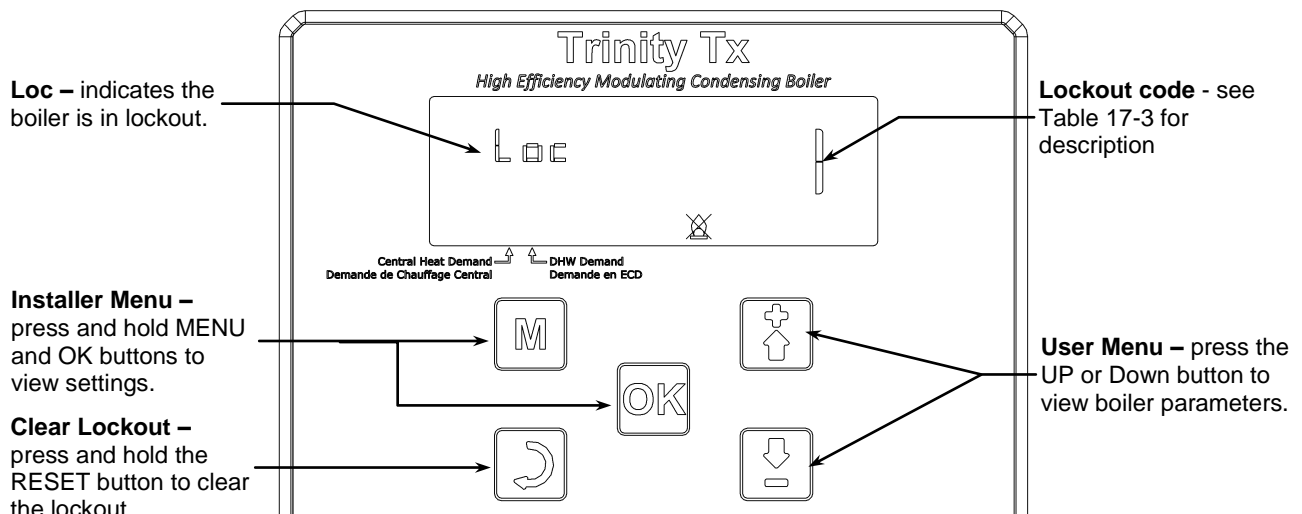
Figure 17-5c Lockout and Error History Navigation (End)



Lockouts

A lockout is indicated when “Loc” is displayed at the top-left of the screen; the specific lockout code/number is displayed in large text to the right, see Figure 17-6. Some lockouts (e.g. Loc 1 and 2) are considered “hard lockouts”, meaning the lockout cannot be cleared by cycling the power supply off and on; the lockout can only be cleared by pressing and holding the RESET button on the display console. While the boiler is in lockout, the User and Installer Menus are still accessible as before, and may be accessed to identify boiler sensor readings and settings.

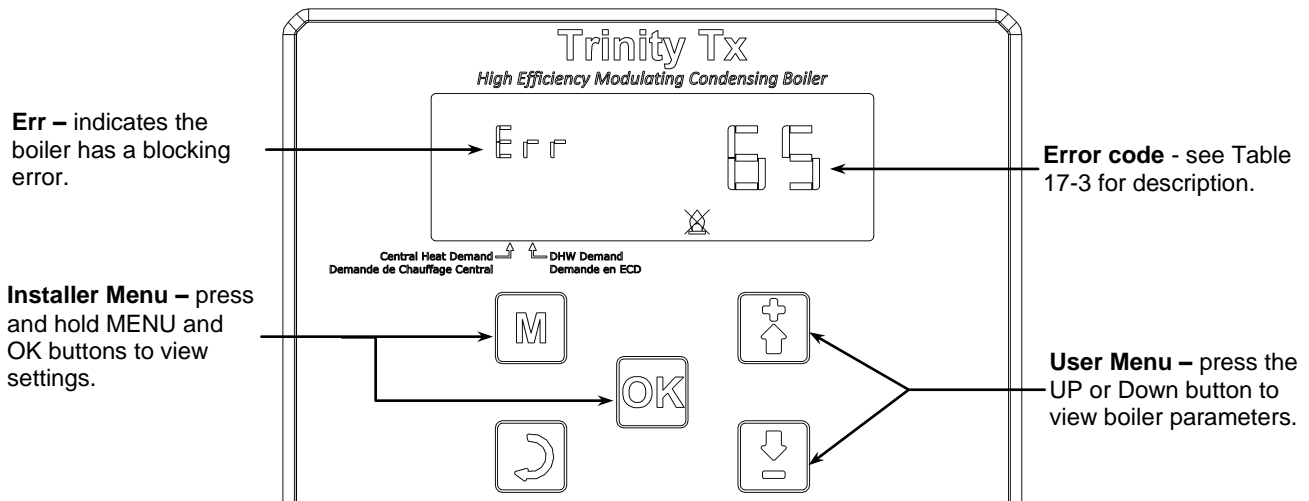
Figure 17-6 Lockout Navigation



Blocking Errors

A blocking error is indicated when “Err” is displayed at the top-left of the screen; the specific error code/number is displayed in large text to the right, see Figure 17-7. Blocking errors are only displayed while a problem exists; during which time the burner is not permitted to operate. To clear a blocking error the problem must be corrected, i.e. the blocking error will not be cleared by cycling the power off and on, or by pressing the RESET button. While the blocking error is display, the User and Installer Menus are still accessible as before, and may be accessed to identify boiler sensor readings and settings.

Figure 17-7 Blocking Error Navigation



Fill – Low Water Pressure

The Tx boiler is equipped with a water pressure sensor located in the return piping inside the boiler cabinet, see Figure 19-1(e), item 24 for sensor location; the reading from the sensor is displayed on the Main Screen, see Figure 17-2. If the control senses a pressure below 7 PSI, burner operation is inhibited and “FILL” is displayed on the screen, see Figure 17-8. As long as the water pressure is above 3 PSI the circulators will be permitted to operate; otherwise they are only operated 5 seconds every minute.

Figure 17-8 Fill – Low Water Pressure

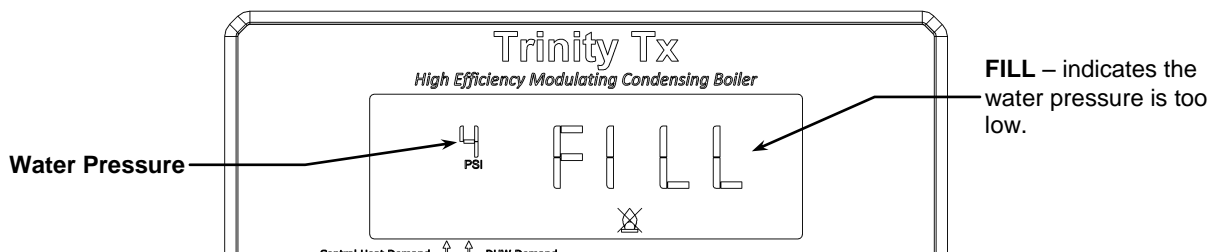


Table 17-3 Lockout and Error Code Descriptions

Code	Description
Loc 1	<p>Ignition Error – three unsuccessful ignition attempts in a row; perform the following checks:</p> <ol style="list-style-type: none"> 1. Check venting for blockages. 2. Check condensate trap from proper draining. 3. Static gas pressure – if insufficient check gas supply-lines and regulator. 4. Gas pressure during ignition – if the static gas pressure is sufficient, check pressure during ignition sequence, i.e. when gas valve opens. <ol style="list-style-type: none"> a. If pressure drops below minimum (4” for NG / 8” for LP), check gas supply-line and regulator. b. If pressure does not move, verify 120VDC at valve during ignition; if no power, check wiring – replace control; if power is present – replace gas valve. c. If pressure drops slightly – proceed to next step 5. Unit ignites but immediately goes out – check flame sensor (clean or replace) and flame sensor cable, clean combustion chamber, replace control. If a combustion analyzer is available, adjust throttle screw out 1 turn – check/adjust combustion once unit is operational. 6. Unit fails to ignite – check spark electrode and cable (replace). Verify the spark electrode is arcing. WARNING!! – maintain clearance from ignition components while the power is on to avoid risk of severe electrical shock. 7. Unit ignites and runs – check combustion at maximum and minimum modulation rates.

Code	Description
Loc 2 - 4	Gas Valve Circuit Fault (Safety) – control has sensed a fault in the gas valve electrical circuit, check for a loose connection in the gas valve wiring harness. Also see “Loc 5”. Power Supply Electrical Interference – see “Loc 6 & 7”
Loc 5	Limit Circuit Open (Safety) – control has sensed a fault in the safety limit circuit; check the following: <ol style="list-style-type: none"> External Limit (Purple wire) – if an external limit device (i.e. LWCO) is connected to the purple wire at the field wiring terminal, check to ensure it has not tripped, and that it is wired correctly. Internal Limit (Heat Exchanger Thermal Fuse) – the heat exchanger is equipped with a normally closed thermal fuse; the fuse opens when the heat exchanger gets too hot. If the fuse is open, contact NTI [see Figure 19-1(a), item 48]. Power Supply Electrical Interference – see “Loc 6 & 7”
Loc 6 & 7	Power Supply Electrical Interference – check for poor line, neutral and ground connections in the wiring leading to the boiler. Check the internal ground connections within the boiler. Eliminate sources of electrical noise, i.e. welders, large pump inverters, etc. If power is being supplied by a generator, install an appropriately sized UPS (Uninterruptible Power Supply). If source of problem cannot be located, replace controller.
Loc 8-9	Controller Malfunction – contact NTI, check field wiring, replace controller.
Loc 10	Supply Sensor Fault – controller has sensed an invalid reading at the Supply/Outlet sensor; check cable, then replace sensor [see Figure 19-1(a), item 15].
Loc 11	Uncorrected Blocking Error – a blocking error (Err) has lasted for 20 consecutive hours.
Loc 12	Incorrect Fan Speed – measured fan speed is not reaching target fan speed within 60 seconds. Check wiring to fan, replace fan.
Loc 13-24	Controller Malfunction – contact NTI, check field wiring, replace controller.
Loc 25	Limit Circuit Open (Safety) – see “Loc 5”. Power Supply Electrical Interference – see “Loc 6 & 7”
Loc 26	Flue Sensor Fault – controller has sensed an invalid reading at the Flue sensor; check cable, then replace sensor [see Figure 19-1(a), item 20].
Loc 27	Flame present 10 seconds after closing gas valve – verify flame is going out immediately following the end of a burner demand; check flame sensor (replace); check condensate drain for blockages; increase post purge setting (Installer Menu setting 2-30).
Loc 28	Flame present before ignition – check flame sensor (replace); check condensate drain for blockages; increase post purge setting (Installer Menu setting 2-30).
Loc 29-30	Controller Malfunction – contact NTI, check field wiring, replace controller.
Loc 31	Flame lost three times during one demand – see Loc 1.
Loc 32 up	Controller Malfunction – contact NTI, check field wiring, replace controller.
Err 45-51	Controller Malfunction – contact NTI, check field wiring, replace controller.
Err 52	Incorrect Field Wiring – check electrical connections to field terminal strip; ensure the Thermostat is connected to terminals 7 and 8.
Err 53	Controller Malfunction – contact NTI, check field wiring, replace controller.
Err 54	Flame detected out of sequence – check/replace flame sensor; check flame sensor wiring; check condensate drain for blockages; replace controller.
Err 55-57	Controller Malfunction – contact NTI, check field wiring, replace controller.
Err 58-59	Water Pressure Error – increase system water pressure to a minimum of 12 PSI. If water pressure reading at the external pressure gauge exceeds 15 PSI, inspect water pressure sensor and cable; if water pressure sensor is dirty, gently clean with a calcium/rust remover. If necessary, replace water pressure sensor [see Figure 19-1(a), item 24].
Err 60	Flue Sensor Error – flue temperature reading exceeds 220°F or the sensor is shorted, check flue sensor connection and wiring. Temporarily disconnect the electrical connector from the flue sensor, if problem goes away, replace flue sensor [see Figure 19-1(a), item 20]; if problem persists, replace the controller [see Figure 19-1(d), item 61].
Err 61	Return Sensor Error – inlet temperature exceeded 203°F; error clears when inlet temperature drops below 190°F: (1) ensure there is water flow through the boiler, (2) check for correct return sensor reading (menu reading 1-09), (3) check wiring to return sensor; replace sensor [see Figure 19-1(a), item 24].

Code	Description
Err 62-63	Controller Malfunction – contact NTI, check field wiring, replace controller.
Err 64	Faulty Grounding – check appliance grounding to breaker panel, check internal ground connections.
Err 65	Incorrect Polarity – controller has sensed reversed polarity of the 120VAC power supply; check field wiring to L2 NEUTRAL (terminals 12 & 13) and L1 120VAC (terminal 14). There should be 120VAC potential between L1 120VAC and ground, and 0VAC potential between L2 NEUTRAL and ground.
Err 66	Incorrect Frequency – the controller accepts a line voltage frequency of 60Hz \pm 2%; if outside this range the controller may be damaged or function incorrectly. If using a generator as a power source, install a UPS (uninterruptible power supply) between the generator and boiler.
Err 67	Faulty Earth Ground – check grounding of boiler and power supply; replace controller.
Err 68-71	Controller Malfunction – contact NTI, check field wiring, replace controller.
Err 72	Supply Sensor Open – check wiring to supply sensor; replace sensor [see Figure 19-1(a), item 15].
Err 73	Supply Sensor Fault – check wiring to supply sensor; replace sensor [see Figure 19-1(a), item 15].
Err 74-77	Controller Malfunction – contact NTI, check field wiring, replace controller.
Err 78	Flue Sensor Open – check wiring to flue sensor; replace sensor [see Figure 19-1(a), item 20].
Err 79	Controller Malfunction – contact NTI, check field wiring, replace controller.
Err 80	Supply Sensor Shorted – check wiring to supply sensor; replace sensor [see Figure 19-1(a), item 15].
Err 81	Supply Sensor Shorted – check wiring to supply sensor; replace sensor [see Figure 19-1(a), item 15].
Err 82-85	Controller Malfunction – contact NTI, check field wiring, replace controller.
Err 86	Flue Sensor Shorted – see Err 60.
Err 87	Reset Button Error – controller has sensed that the “Reset” button (see Figure 17.2) is stuck, inspect button, try pressing and releasing it to “unstick” it, if necessary remove plastic overlay from display. Turn power off and on, if problem persists, replace display.
Err 88-92	Controller Malfunction – contact NTI, check field wiring, replace controller.
Err 93	Appliance Type – the appliance type stored in the display does not match the appliance type stored in the controller. Set the appropriate appliance type using the procedure described under “Controller Replacement Instructions”; see page 73.
Err 94 & up	Controller Malfunction – contact NTI, check field wiring, replace controller.
Att 2	Outdoor Sensor Shorted – controller has sensed a short circuit at the Outdoor sensor; check wiring to terminals 3 and 5 and outdoor sensor.
Att 3	DHW Sensor Open – controller has sensed an open circuit at the DHW tank sensor; check wiring to terminals 3 and 6 and tank sensor. If no tank sensor is being used, set DHW Mode (setting 2-08) to the appropriate setting; see Table 17-2.
Att 4	DHW Sensor Shorted – controller has sensed a short circuit at the DHW tank sensor; check wiring to terminals 3 and 6 and tank sensor. If no tank sensor is being used, set DHW Mode (setting 2-08) to the appropriate setting; see Table 17-2.
Att 6	Warm Weather Shutdown (WWSD) Active – when the outdoor temperature (menu reading 1-08) exceeds the WWSD setting (menu setting 2-04), “Att 6” is displayed during central heat demands, and the boiler only responds to DHW demands. To avoid this error, increase menu setting 2-04. If the indicated temperature reading does not match the actual outdoor temperature, inspect the outdoor sensor wiring. If wiring is fine, disconnect the outdoor sensor, menu reading 1-08 should indicate “OPEn”, if not, replace the controller, if “OPEn” is indicated replace the outdoor sensor.
Att 7	Service Reminder – occurs every 365 days; service the boiler and clear the warning by adjusting menu setting 2-16 to “OFF”.
FILL	Low Water Pressure – increase system water pressure to a minimum of 12 PSI. If water pressure reading at the external pressure gauge exceeds 15 PSI, inspect water pressure sensor and cable; if water pressure sensor is dirty, gently clean with a calcium/rust remover. If necessary, replace water pressure sensor [see Figure 19-1(a), item 24].

Notes:

¹ While displaying a lockout or blocking error, the User and Installer Menus can be accessed to view the status of boiler sensors and settings.

² Blocking errors (Err) and some lockouts (Loc) will not clear until the fault is correct.

³ Some lockouts (Loc) can only be cleared by holding the RESET button on the display console.

Controller Replacement Instructions

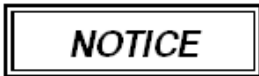
This section provides important information necessary to successfully replace the boiler controller, NTI P/N 84712, in the event the original controller fails. The replacement controller must be field configured to operate on the Tx boiler model it is being installed on. This is achieved by adjusting the controller’s Appliance Type setting.

Appliance Type – the Appliance Type setting is retained in the boiler controller; the setting determines certain operating characteristics specific to a particular boiler model, such as combustion blower RPM (i.e. firing rate); see Table 17-4 for a list of Appliance Types and corresponding boiler models.

Table 17-4 Appliance Type Setting by Boiler Model

Model	Appliance Number	Model	Appliance Number
Tx51	1	Tx151C	5
Tx81	2	Tx200	6
Tx101	3	Tx200C	7
Tx151	4		

Replacement Procedure – the replacement controller is factory set with an Appliance Type setting of zero (0); upon replacement of the control the display will prompt you to set the appliance type, i.e. “tYPE 0” will automatically be displayed on the screen (see Notice below). Adjust to the applicable Appliance Type setting (see Table 17-4) using the UP & DOWN buttons; press the OK button to enter the value. Check the appliance setting via Installer Menu setting 2-11; make sure it matches the correct boiler model as per Table 17-4. Set the remainder of the control settings as desired. Verify proper boiler operation for DHW and Central Heat demands.

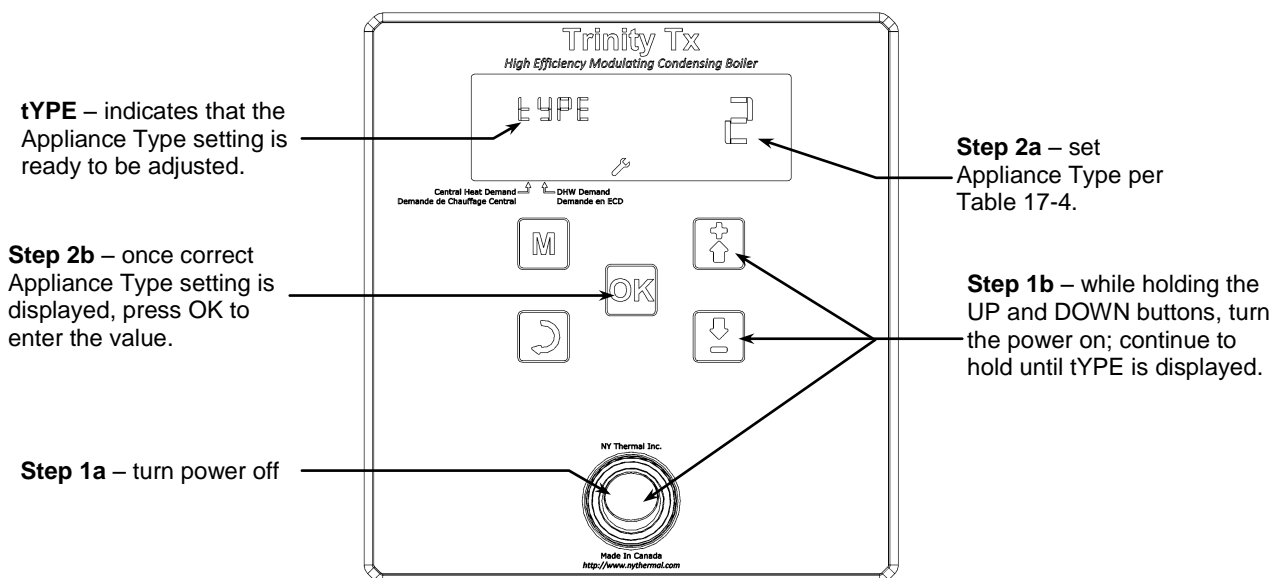


If “tYPE 0” does not automatically display upon replacing the controller, the Appliance Type setting must be adjusted using the “Appliance Selection Method” detailed below.

Appliance Selection Method – to change the Appliance Type setting, perform the following steps:

1. Turn the power off; while holding the UP and DOWN buttons, turn the power on using power switch on the display console; see Figure 17-9. Continue holding the UP and DOWN buttons until “tYPE 0” is displayed on the screen, then release the UP and DOWN buttons.
2. Increase the setting by press the UP button. When the correct setting is displayed, see Table 17-4; press the OK button to enter the value.
3. Wait for a minimum of 1 minute, then cycle the power off and on.
4. Check the appliance setting via Installer Menu setting 2-11; make sure it matches the correct boiler model as per Table 17-4. Set the remainder of the control settings as desired. Verify proper boiler operation on Domestic Hot Water and Central Heat demands.

Figure 17-9 Appliance Selection



18.0 TROUBLESHOOTING



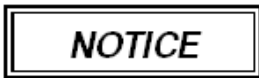
WARNING

Observe the following precautions when servicing the boiler. Failure to comply with these may result in fire, property damage, serious injury or death.

Servicing the Boiler

- Disconnect or shutoff all energy sources to the boiler: 120VAC power, water and gas.
- Identify and mark wires before disconnecting or removing them.
- Never bypass electrical fuses or limit devices except temporarily for testing.
- Use proper personal protective equipment (PPE) i.e. eye protection, safety footwear.

These procedures should only be performed by qualified service personnel, when abnormal operation of the boiler is suspected. The boiler incorporates a sophisticated microprocessor based control which normally responds appropriately to varying conditions. If the boiler operation appears to be incorrect, or it is not responding at all to a demand for heat, the following is suggested to determine and correct the problem.



NOTICE

Before undertaking any troubleshooting procedures it is highly recommended to have available a digital multimeter(s) capable of measuring AC and DC volts, Amperes, Resistance (Ohms) and Continuity.

Diagnosing an Inoperative Boiler

1) Blank Display – perform the following steps:

- Ensure the boiler service switch located on the front of the boiler is in the ON (1) position.
- Ensure the main service switch (if applicable) is in the ON position.
- Ensure the circuit breaker in the electrical panel supplying power to the boiler is on.
- Measure across boiler terminals 13 and 14 (L1 120VAC and L2 NEUTRAL) for 120VAC, see Figure 12-2. If 120VAC is present, check fuse located on the boiler controller, see Figure 18-1. If 120VAC is not present, check wiring between the boiler and electrical panel for poor connections.
- Check the electrical connection to the display – connector is located behind display.

2) Display Normal but no heat to radiators – perform the following steps:

- Ensure there is a heat call from the thermostat (radiator symbol on the display will flash during a thermostat demand). If uncertain about thermostat operation, place a jumper between the boiler's Thermostat terminals. If the radiator symbol does not display, check outdoor sensor reading (User Menu reading 1-08), and compare to the warm weather shutdown setting (Installer Menu setting 2-04); central heat call will not activate if the outdoor temperature is above the warm weather shutdown setting.
- If the radiator symbol is flashing, but the boiler is not firing, compare the boiler outlet temperature (temperature displayed on the main screen) with the *Current target temp* (User Menu reading 1-01). Boiler will not fire until the outlet temperature drops below the *Current target temp* by the *CH setpoint differential* (Installer Menu setting 2-02 – default setting = 9°F).
 - Ensure the central heating pump(s) is running – if not ensure it is wired to pump output CH PUMP or BOILER PUMP.
 - If *Current target temp* is insufficient, increase *CH setpoints* (Installer Menu settings 2-01 and 2-05).
- If the radiator symbol is on but not flashing, and the faucet symbol is flashing, then the boiler is actively servicing a DHW demand; at which time no hot water will go to the radiators. If condition continues, consider increasing the *DHW setpoint* (Installer Menu setting 2-07), or decreasing the *DHW priority time* (Installer Menu setting 2-09).

3) Display Normal but no DHW – perform the following steps:

- Tx Combi (Tx151C & Tx200C):
 - Verify DHW Mode is set to 5 (Installer Menu setting 2-08).
 - Verify there is DHW flow – check *DHW flow rate* (User Menu reading 1-05); boiler goes to DHW mode when the flow exceeds 0.3gpm. If flow is insufficient, check water supply and DHW piping; check Y-strainer for blockage. Check wiring to flow sensor – replace flow sensor if necessary.
 - Compare *DHW setpoint* (User Menu reading 1-04) with *DHW temp* (User Menu reading 1-03); burner fires when the *DHW temp* drops below *DHW setpoint*, if the flow exceeds 0.3gpm. If necessary increase

DHW setpoint (Installer Menu setting 2-07) – 120 to 140°F recommended.

- If the radiator symbol is flashing on the display, the *DHW priority time* may have expired. Cycle power and consider increasing the *DHW priority time* (Installer Menu setting 2-09).
- Indirect Tank with Tank Sensor:
 - Verify DHW Mode is set to 1 (Installer Menu setting 2-08).
 - Verify there is a Tank sensor wired to COMMON and DHW (boiler terminals 3 and 6), see Figure 12-2. Tank sensor temperature, *DHW temp*, is viewed from User Menu reading 1-03.
 - Compare *DHW setpoint* (User Menu reading 1-04) with the *DHW temp* (User Menu reading 1-03). DHW Tank demand is generated when the *DHW temp* drops 4°F below the *DHW setpoint*; after which burner demand starts when the boiler outlet temperature (displayed on Main Screen) drops below the *Current target temp* (User Menu reading 1-01) by 15°F. *Current target temp* for a DHW Tank demand is equal to *DHW setpoint* + 40°F; if necessary increase *DHW setpoint* (Installer Menu setting 2-07) – 130 to 140°F recommended.
 - If the radiator symbol is flashing on the display, the *DHW priority time* may have expired. Cycle power and consider increasing the *DHW priority time* (Installer Menu setting 2-09) and/or *DHW setpoint* (Installer Menu setting 2-07).
 - If the faucet symbol is flashing on the display, verify the DHW circulator is operating – DHW circulator should be wired to DHW PUMP and L2 NEUTRAL (boiler terminals 9 and 12/13); see Figure 12-2.
 - Verify plumbing is in accordance with Figure 10-4 or 10-4.
- Indirect Tank with Tank Thermostat:
 - Verify DHW Mode is set to 2 (Installer Menu setting 2-08).
 - Verify there is a Tank thermostat wired to COMMON and DHW (boiler terminals 3 and 6), see Figure 12-2.
 - Verify there is a demand from the thermostat; when the demand is on, *DHW temp* (User Menu reading 1-03) will indicate “CLOS” (or 242°F/117°C); when demand is off, *DHW temp* will indicate “OPEN” (or 14°F/-10°C). If uncertain about thermostat operation, place a jumper between terminals 3 and 6; the faucet symbol will flash on display when there is a DHW demand.
 - Compare *DHW setpoint* (User Menu reading 1-04) with the boiler outlet temperature (displayed on Main Screen); burner demand starts with the boiler outlet temperature drops below the *DHW setpoint* by 15°F. If necessary increase *DHW setpoint* (Installer Menu setting 2-07) – 160 to 190°F recommended.
 - If the radiator symbol is flashing on the display, the *DHW priority time* may have expired. Cycle power and consider increasing the *DHW priority time* (Installer Menu setting 2-09) and/or *DHW setpoint* (Installer Menu setting 2-07).
 - If the faucet symbol is flashing on the display, verify the DHW circulator is operating – DHW circulator should be wired to DHW PUMP and L2 NEUTRAL (boiler terminals 9 and 12/13); see Figure 12-2.
 - Verify plumbing is in accordance with Figure 10-4 or 10-4.

4) Display Normal but DHW is not hot enough – perform the following steps:

- Increase *DHW setpoint* (Installer menu setting 2-07):
 - Tx Combi (Tx151C & Tx200C) – recommended setting = 120 to 140°F.
 - Indirect Tank with Tank Sensor (DHW Mode = 1) – recommended setting = 130 to 140°F.
 - Indirect Tank with Tank Thermostat (DHW Mode = 2) – recommended setting = 160 to 190°F.
- Tx Combi (Tx151C & Tx200C) – DHW flow rate is too great; compare *DHW flow rate* (User Menu reading 1-05) with Tables 11-1 and 11-2. If necessary, restrict overall DHW flow rate.
- Indirect Tank – verify plumbing is in accordance with Figure 10-4 or 10-4.

5) Display indicates an error (Err), lockout (Loc) or warning (Att); reference Table 17-3 in Section 17.0.

**WARNING**

Only replace Tx controller fuse with identical part (LFT 3.15A, 250V “slow-blow”). Failure to follow this warning may result in component failure or property damage.

Figure 18-1 Tx Fuse Location

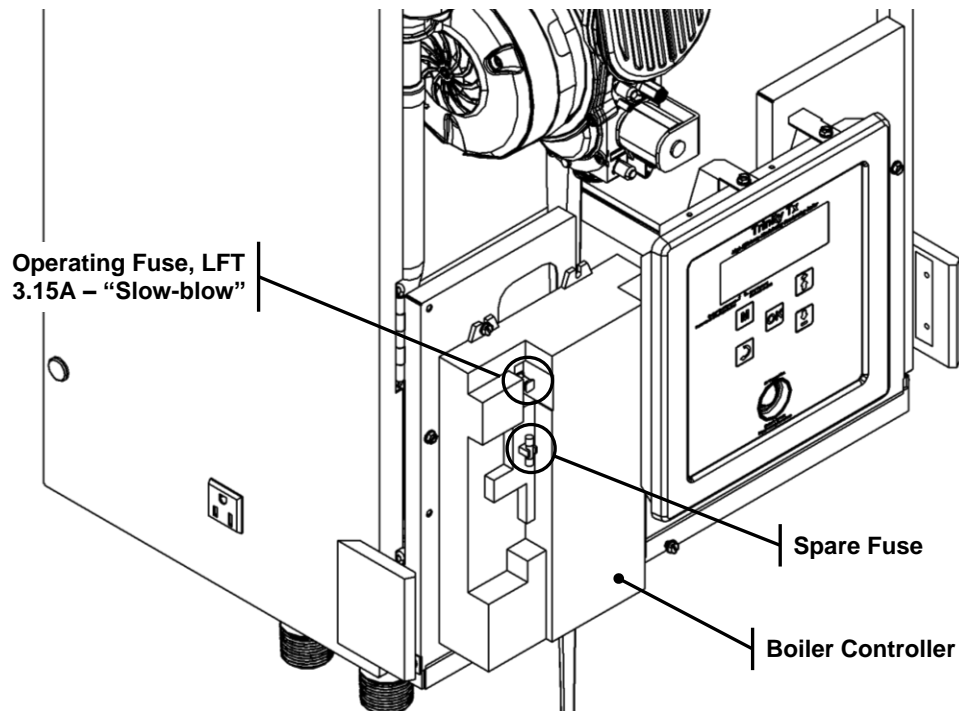


Table 18-1 Thermistor Resistance vs. Temperature

Temp °F (°C)	Resistance Ohms (Ω)	Temp °F (°C)	Resistance Ohms (Ω)
-22 (-30)	176,133	122 (50)	3,603
-4 (-20)	96,761	131 (55)	2,986
14 (-10)	55,218	140 (60)	2,488
32 (0)	32,650	149 (65)	2,083
41 (5)	25,390	158 (70)	1,752
50 (10)	19,900	167 (75)	1,481
59 (15)	15,710	176 (80)	1,258
68 (20)	12,490	185 (85)	1,072
77 (25)	10,000	194 (90)	918
86 (30)	8,057	203 (95)	789
95 (35)	6,531	212 (100)	680
104 (40)	5,327	230 (110)	506
113 (45)	4,369	-	-

19.0 PARTS LIST

For a list of parts that corresponds to the item numbers in the callouts, refer to Table 19-1. Note that some item numbers may appear more than once in the parts list depending on which model number is being referenced.

Building Owners - Replacement parts are available from your stocking wholesaler. Contact your local Installer or Wholesaler for assistance with parts.

Wholesalers - Contact NY Thermal Inc. directly when ordering replacement parts, 1-506-657-6000.

Installers - Contact NY Thermal Inc. directly if technical assistance required, 1-800-688-2575.

**Figure 19-1(a) Tx Heat Exchanger, Piping and Gas Train
(Tx151C Illustrated)**

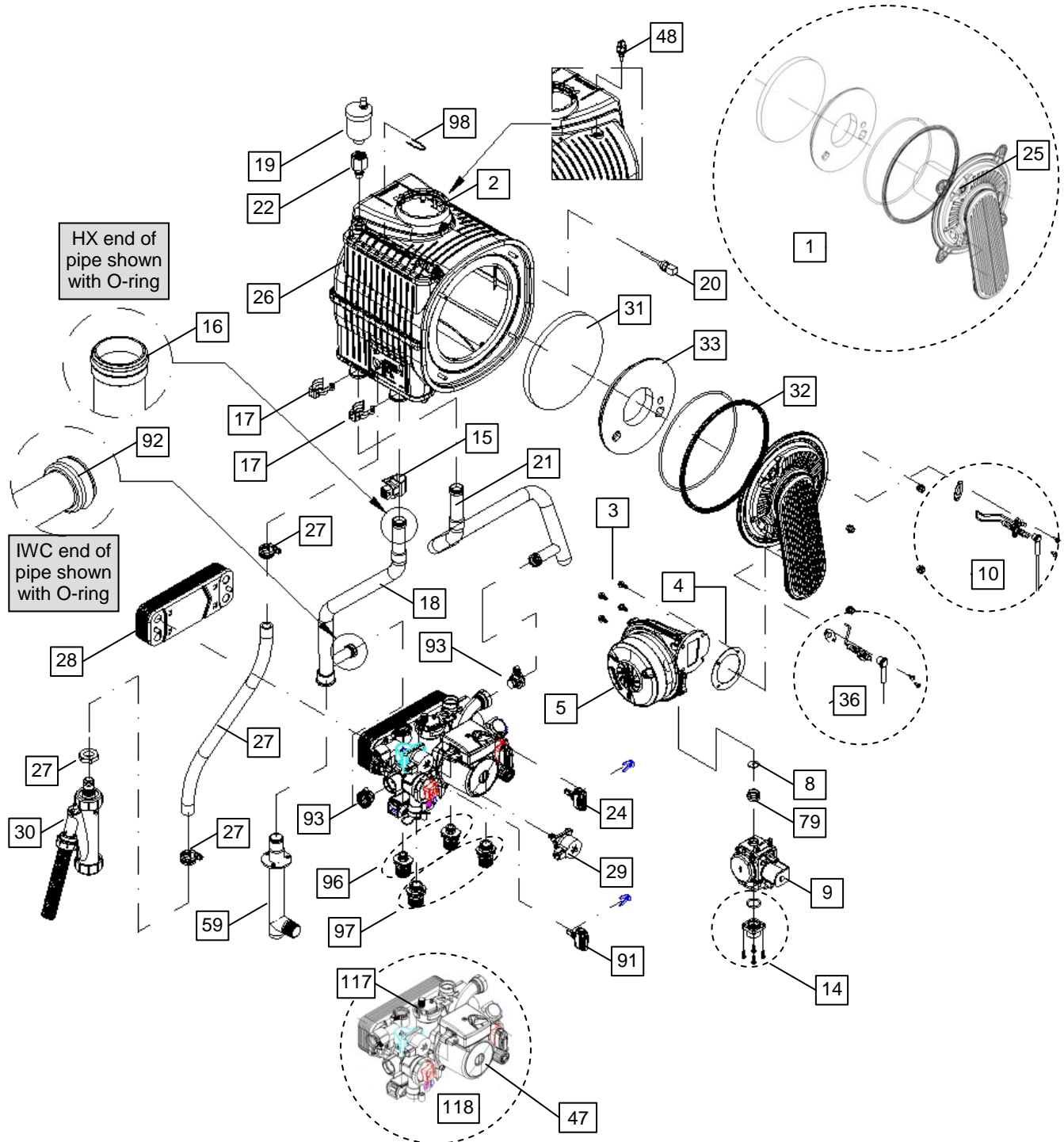


Figure 19-1(b) Tx200 Gas Valve & Blower Assembly

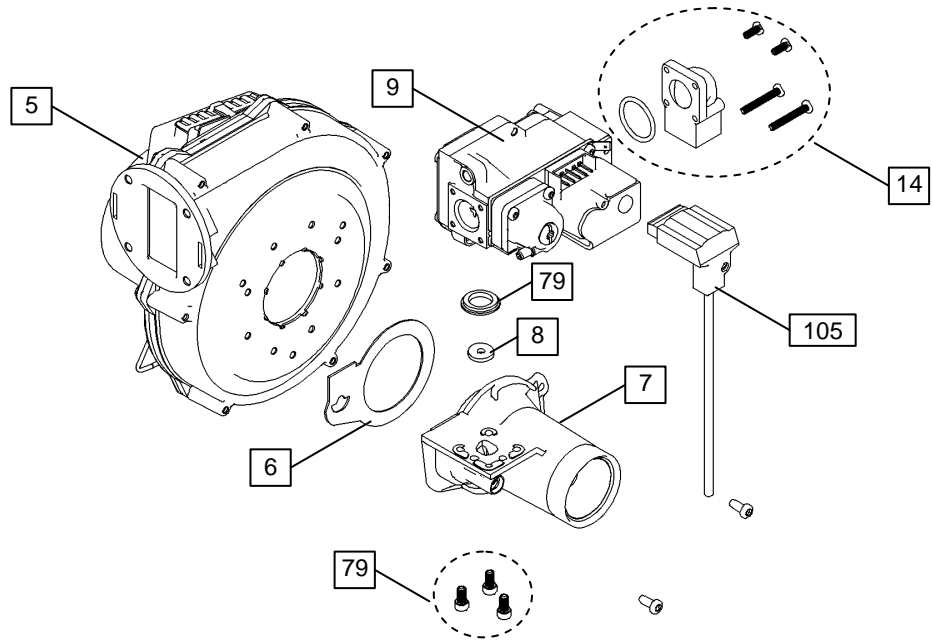


Figure 19-1(c) Tx Cabinet, Vent and Air-inlet Parts

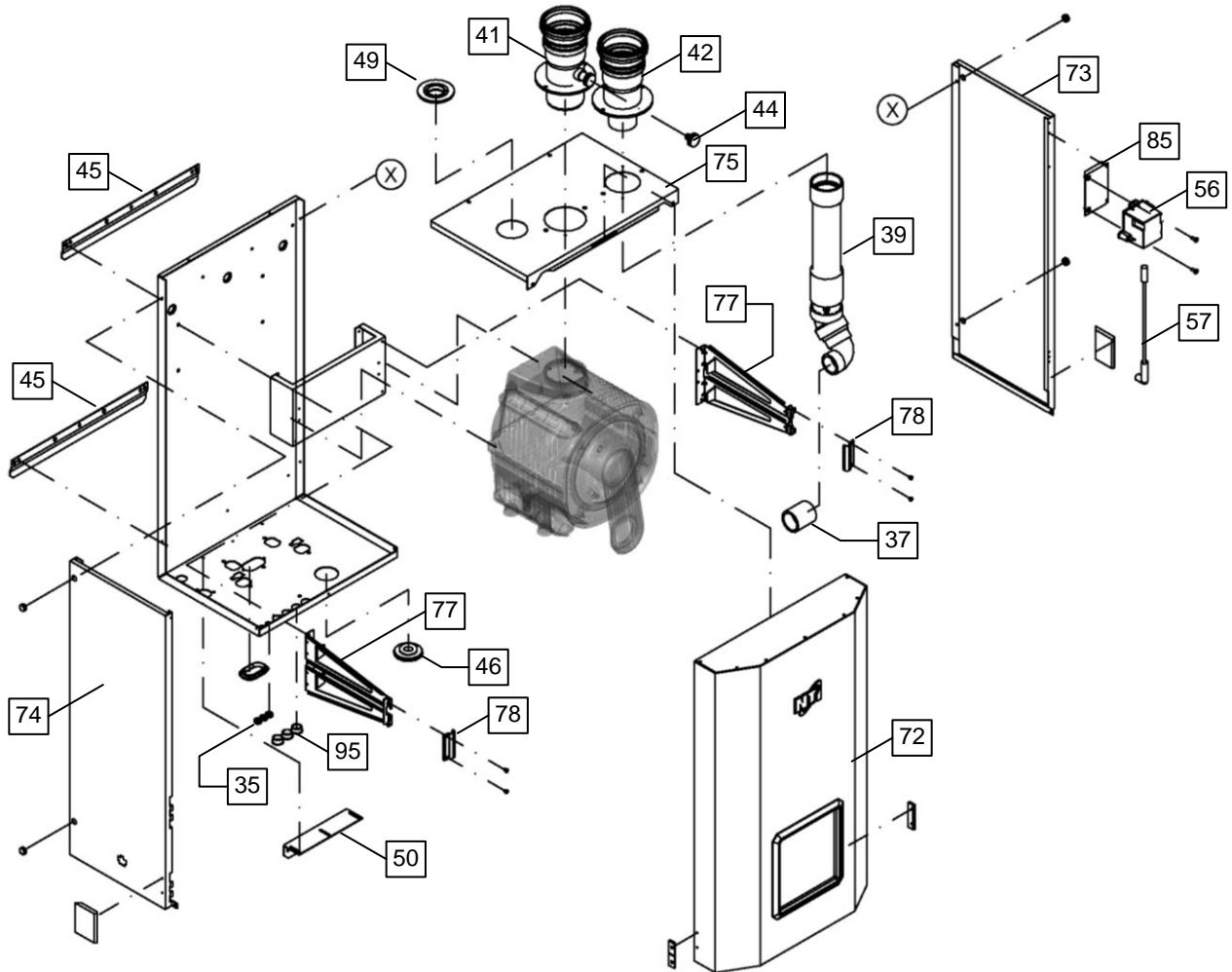


Figure 19-1(d) Tx Controls, Electrical Panel and Display Module

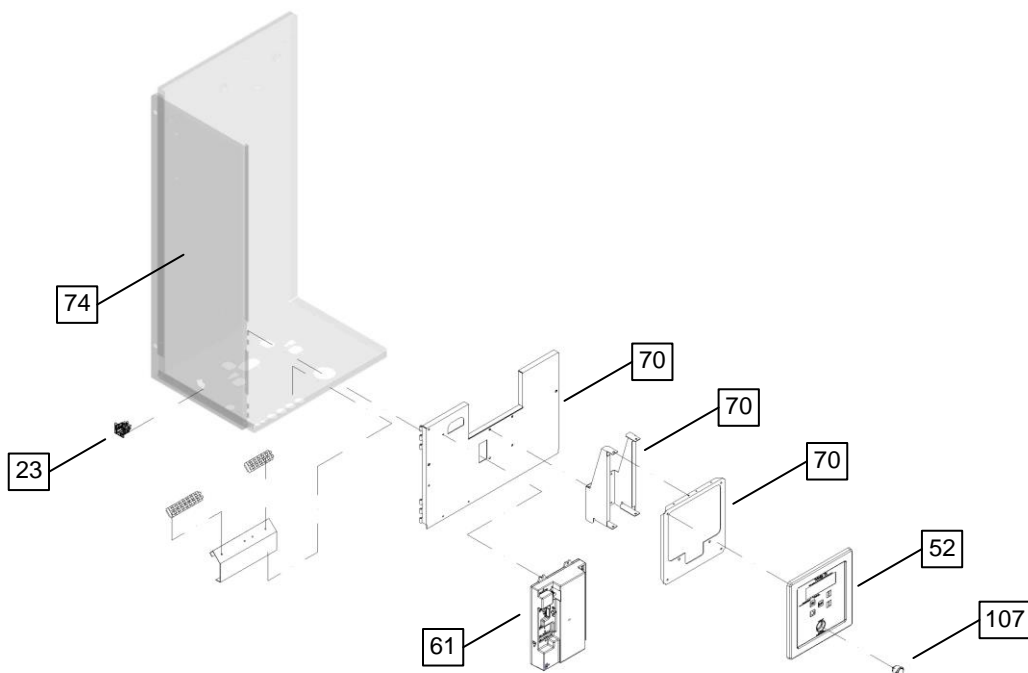


Figure 19-1(e) Tx Installation Kit Box

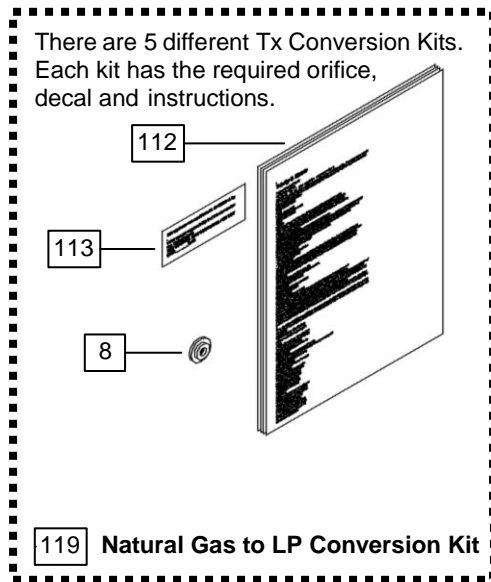
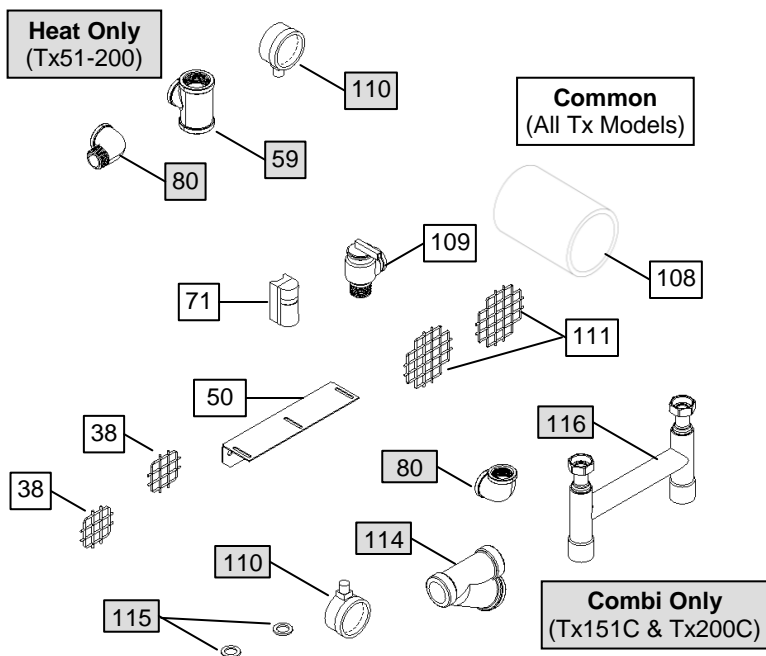


Table 19-1 Parts List: Tx Series

Item	Part #	Description
1	84882	Burner Assembly, c/w door, insulation & gasket (Tx51)
1	84883	Burner Assembly, c/w door, insulation & gasket (Tx81)
1	84884	Burner Assembly, c/w door, insulation & gasket (Tx101)
1	84885	Burner Assembly, c/w door, insulation & gasket (Tx151 & Tx151C)
1	85056	Burner Assembly, c/w door, insulation & gasket (Tx200 & Tx200C)
2	84743	Flue Outlet Gasket (all Tx models)
3	84597	Blower Mounting Screws, M5x12 Hex (all Tx models)
4	82766	Blower Gasket (all Tx models)
5	84909	Blower/Venturi Assembly, 535 (Tx51)
5	84910	Blower/Venturi Assembly, 534 (Tx81)
5	84911	Blower/Venturi Assembly, 533 (Tx101)
5	84912	Blower/Venturi Assembly, 532 (Tx151 & Tx151C)
5	85155	Blower, RG148/1200-3612, 55667.21120A (Tx200 & Tx200C)
6	82054-2	Venturi Gasket, Cork (Tx200 & Tx200C)
7	81994	Venturi, 051 (Tx200 & Tx200C)
8	84869	LP Orifice, 3.5mm (Tx51)
8	84870	LP Orifice, 3.8mm (Tx81)
8	84871	LP Orifice, 4.2mm (Tx101)
8	84795	LP Orifice, 5.05 (Tx151 & Tx151C)
8	84157	LP Orifice, 6.2mm (Tx200 & Tx200C)
9	84713	Gas Valve (Tx51-151 & Tx151C)
9	85002	Gas Valve, VK4115 (Tx200 & Tx200C)
10	84738-1	Ignition Electrode, c/w gasket & cable (all Tx models)
11	84739	Ignition Electrode Gasket
14	84763	Gas Valve Adapter, c/w screws and O-ring (Tx51-151 & Tx151C)
14	82065	Gas Valve Adapter, c/w screws and O-ring (Tx200 & Tx200C)
15	84781	Outlet Sensor, clip-on, c/w retaining clip (all Tx models)
16	84733 (old)	O-ring (small), Boiler Inlet/Outlet, 2.76 x 17.72 (Tx51 – pre s/n 72000)
16	84735 (old)	O-ring (medium), Boiler Inlet/Outlet, 3.2 x 19 (Tx81-151 & Tx151C – pre s/n 72000)
16	84976	O-ring, Boiler Inlet/Outlet (all Tx models post s/n 72000)
17	84732 (old)	Retaining Clip – Boiler Outlet/Inlet Pipe, 18mm (Tx51 – pre s/n 72000)
17	84734 (old)	Retaining Clip – Boiler Outlet/Inlet Pipe, 19mm (Tx81-151, Tx151C – pre s/n 72000)
17	84975	Retaining Clip – Boiler Outlet/Inlet Pipe, 25mm (all Tx models post s/n 72000)
18	84809 (old)	Outlet Pipe, 18mm (Tx51 – pre s/n 72000)
18	84806 (old)	Outlet Pipe, 19mm (Tx81-151 – pre s/n 72000)
18	84972	Outlet Pipe, 25mm (Tx51-200 – post s/n 72000)
18	84804 (old)	Outlet Pipe, Combi, 19mm (Tx151C – pre s/n 72000)
18	84970	Outlet Pipe, Combi, 25mm (Tx151C – post s/n 72000)
18	84998	Outlet Pipe, Combi, 25mm (Tx200C)
19	84474	Auto Air Vent, ½” NPT (all Tx models)
20	84780	Flue Sensor (all Tx models)
21	84810 (old)	Inlet Pipe, 18mm (Tx51 – pre s/n 72000)
21	84974	Inlet Pipe, 25mm (Tx51 & Tx200 – post s/n 72000)
21	84807 (old)	Inlet Pipe, 19mm (Tx81-151 – pre s/n 72000)
21	84973	Inlet Pipe, 25mm (Tx81-151 – post s/n 72000)
21	84805 (old)	Inlet Pipe, Combi, 19mm (Tx151C – pre s/n 72000)
21	84971	Inlet Pipe, Combi, 25mm (Tx151C – post s/n 72000)
21	84999	Inlet Pipe, Combi, 25mm (Tx200C)
22	84801	Auto Air Vent Adapter (all Tx models)
23	84423	Receptacle, 120VAC (all Tx models)

Item	Part #	Description
24	84745	Inlet/Pressure Sensor (all Tx models)
25	84913	Sight Glass, c/w gasket (all Tx models)
26	84673 (old)	Heat Exchanger, ASME 2+1 (Tx51 – pre s/n 72000)
26	85022	Heat Exchanger, ASME 2+1 (Tx51 – post s/n 72000)
26	84674 (old)	Heat Exchanger, ASME 3+1 (Tx81 – pre s/n 72000)
26	85023	Heat Exchanger, ASME 3+1 (Tx81 – post s/n 72000)
26	84675 (old)	Heat Exchanger, ASME 4+1 (Tx101 – pre s/n 72000)
26	85024	Heat Exchanger, ASME 4+1 (Tx101 – post s/n 72000)
26	84676 (old)	Heat Exchanger, ASME 5+1 (Tx151 & Tx151C – pre s/n 72000)
26	85025	Heat Exchanger, ASME 5+1 (Tx151 & Tx151C – post s/n 72000)
26	85026	Heat Exchanger, ASME 7+2 (Tx200 & Tx200C)
27	83044-1	Condensate Drain Tube, 17", c/w retaining nut & gear clamps (all Tx models)
28	84914	Brazed Plate Heat Exchanger (Tx151C & Tx200C)
29	84915	Diverter Valve Stepper Motor (Tx151C & Tx200C)
30	83510	Condensate Trap Assembly (all Tx models)
31	84742	Deflector Insulation (all Tx models)
32	84737	Burner Door Gasket, EPDM (all Tx models)
33	84736	Burner Door Ceramic Insulation (all Tx models)
35	84214	Grommet, Diaphragm, ½" (all Tx models)
36	84740-1	Ionization Electrode, c/w gasket & cable (all Tx models)
37	84755	MJ Coupling, 1-1/2 x 1-1/4 (Tx51-151 & Tx151C)
37	82099	MJ Coupling, 1-1/2 (Tx200 & Tx200C)
38	82615	2" Bird Screen (Tx51-151 & Tx151C)
39	84881	Air Inlet Assembly (Tx51-151 & Tx151C)
39	85121	Air Inlet Assembly (Tx200 & Tx200C)
41	85132	Flue Outlet Adapter, c/w test plug (all Tx models)
42	85133	Air Inlet Adapter (all Tx models)
45	84920	Wall Mount Bracket, Top (all Tx models)
46	83505	Gas Line Grommet, ½" IPS (all Tx models)
47	84917	Circulator Cartridge, UPS15-78 (Tx151C & Tx200C)
48	84886	Thermal Fuse (all Tx models) – Contact NTI Tech Support before replacing
49	84440	Air Vent Grommet, 1875 (all Tx models)
50	84872	Wall Mount Bracket, Bottom (all Tx models)
52	84764-1	Display Assembly, 210LB (all Tx models)
56	83707	Spark Ignition Transformer (all Tx models – post s/n 72170)
57	83724	Spark Igniter Wire (all Tx models – post s/n 72170)
58	84803	Pressure Sensor Retaining Clip (all Tx models)
59	82759	Tee, Brass, 1 x 1 x 3/4" (Tx51-200)
59	84978	Relief Valve Manifold (Tx151C & Tx200C – post s/n 72000)
61	84712	Controller, 210MN (all Tx models)
63	Tx Wiring Harness	Wiring Harness Complete (all Tx models)
67	84918	Fuse, LFT 3.15A, 250V (all Tx models)
70		Control Panel Sheet Metal (all Tx models)
71	83604	Outdoor Sensor, 10K (all Tx models)
72		Front Cover (all Tx models)
73		Right Side (Tx51-151 & Tx151C)
73		Right Side (Tx200 & Tx200C)
74		Left Side (Tx51-151 & Tx151C)
74		Left Side (Tx200 & Tx200C)
75		Top (Tx51)

Item	Part #	Description
75		Top (Tx81)
75		Top (Tx101)
75		Top (Tx151)
75		Top (Tx151C)
75		Top (Tx200 & Tx200C)
77	84726	Heat Exchanger Support Rail, c/w screws (Tx51)
77	84727	Heat Exchanger Support Rail, c/w screws (Tx81 ASME)
77	84728	Heat Exchanger Support Rail, c/w screws (Tx101 ASME)
77	84729	Heat Exchanger Support Rail, c/w screws (Tx151 & Tx151C ASME)
77	85000	Heat Exchanger Support Rail, c/w screws (Tx200 & Tx200C)
78	84730	Heat Exchanger Support Front Clip (all Tx models)
79	84919	Gas Valve to Venturi Gasket (Tx51-151 & Tx151C)
79	83206	Gas Valve to Venturi Gasket & Screws (Tx200 & Tx200C)
80	84479	Elbow, Street, Brass, 3/4" (Tx51-200)
80	82207	Elbow, Brass, 3/4" (Tx151C & Tx200C – post s/n 72000)
85	TBD	Spark Generator Support Bracket
91	84907	DHW Temperature/Flow Sensor, VFS (Tx151C & Tx200C)
92	84749	O-ring (large), Combi Block Inlet/Outlet, 4 x 17 (Tx151C & Tx200C)
93	84921	Retaining Clips, Combi Block Inlet/Outlet (Tx151C & Tx200C)
95	84095	Plug, Dome, 7/8" (all Tx models)
96	84922	Tx151C DHW Fitting Set, 3/4" NPT, c/w O-rings (Tx151C)
96	85126	Tx200C DHW Fitting Set, 3/4" NPT, c/w O-rings (Tx200C)
97	84923	CH Fittings (c/w O-ring), Combi Block, 3/4" NPT (Tx151C & Tx200C)
98	84924	Retaining Clip, Air Vent Adapter (all Tx models)
105	85003-1	Gas Valve Harness (Tx200 & Tx200C)
107	84422	Rocker Power Switch (all Tx models)
108	83991	CPVC Pipe 3", System 636, 5" Long
109	13701	Relief Valve, 30 PSI (all Tx models)
110	84090	Pressure Gauge, Bottom Stem Mount, 60 PSI (Tx51-200)
110	84859 (old)	Pressure Gauge, Back Mount, 60 PSI (Tx151C – pre s/n 72000)
110	85021	Pressure Gauge, Top Stem Mount, 60 PSI (Tx151C & Tx200C – post s/n 72000)
111	82616	3" Bird Screen (all Tx models)
112	84925	Natural Gas to LP Conversion Instructions (Tx51-151 & Tx151C)
112	84492	Natural Gas to LP Conversion Instruction (Tx200 & Tx200C)
113	84867	LP Conversion Decal (Tx51-151 & Tx151C)
113	82782	LP Conversion Decal (Tx200 & Tx200C)
114	83645	Y-Strainer, Brass, 3/4", 100M Screen (Tx151C & Tx200C)
115	82368	Compression Gasket, Rubber (Tx151C & Tx200C)
116	84808 (old)	Low Loss Header Pipe, FIDT (Tx151C – pre s/n 72000)
116	84979	Low Loss Header Pipe, FIDT (Tx151C & Tx200C – post s/n 72000)
117	85294	Auto Air Vent - IWC
118	84744	IWC - Integrated Water Control, Grundfos (Tx151C & Tx200C)
119	84867-1	NG to LP Conversion Kit, Tx51 (2+1)
119	84867-2	NG to LP Conversion Kit, Tx81 (3+1)
119	84867-3	NG to LP Conversion Kit, Tx101 (4+1)
119	84867-4	NG to LP Conversion Kit, Tx151 & Tx151C (5+1)
119	82650-1	NG to LP Conversion Kit, Tx200 & Tx200C (7+2)



Visit us
online



NY Thermal Inc. 30 Stonegate Drive Saint John, NB E2H 0A4 Canada
Technical Assistance: 1-800-688-2575
Website: www.ntiboilers.com
Fax: 1-506-432-1135